

Reel Catalog



Hose, cord and cable reels

reelcraft.com





Why use hose reels?

Why use hose reels? Because they make hose handling more efficient and safer. Your hoses, cables and cords will last up to five times longer. You will improve hose management, which decreases labor costs. Your chances of injuries from tripping

hazards will decrease, which saves lost work time, medical bills and higher insurance. You also save the expense and time to replace expensive hoses, cables and cords that get run over by fork lifts and other vehicles.



Series TW7000

Truck courtesy of E&B Paving, Anderson, IN

Five reasons why hose reels add value



Improve efficiency

Hoses, cable and cords are where you want/need them.



Increase safety

Reduce tripping accidents and lost work time.



Minimize leakages

Reduce costs of air and water leakages.



Reduce hose wear

Hose and cords on reels can last up to five times longer.



Increase productivity

No more tangled hoses improves efficiency.



Series 7000

Front Cover: L-R: Nordic Series large frame reels; Series 7000; Series 7000 and 80000 Reels, photo courtesy of Utility Fleet Sales, Bryan, TX

Back Cover: L-R: Series 30000; Series TW7000, truck provided by E&B Paving, Anderson, IN; Series 30000, photo courtesy of Zedos United, Singapore

OSHA says reduce your trips and falls

"There are many situations that may cause slips, trips and falls. The controls needed to prevent these hazards are usually obvious, but too often ignored, such as... coiling up extension cords, lines and hoses when not in use and keeping electrical and

other wires out of the way." OSHA's "Fall Prevention Tips" include, "Practice good housekeeping. Keep cords, welding leads and air hoses out of walkways or adjacent work areas."

Source: www.osha.gov

Same-day quick ship program offers fastest service

Because we are centrally located in the US and have three North American warehouses, upon request, we can quickly ship our standard products the same day for domestic orders of five or fewer standard models. Orders must be received by 11:30 am Eastern Time. Look for the shipping icons in this catalog for designated models. For the most current list of Quick Ship reels, please visit www.reelcraft.com.



Two Year Limited Warranty and Return Policy

Reelcraft now offers a two* year limited warranty. All products manufactured by Reelcraft Industries, Inc. are warranted to be free of defects due to faulty material or workmanship for 24 months from date of shipment, except hose and light bulbs. For complete warranty information, online warranty registration, service manuals, and return information please visit www.reelcraft.com or call Reelcraft's Customer Service Department toll-free at 1-855-634-9109.

*1 year for Series LD, LG and LH cord reels.



Indiana Warehouse



California Warehouse



Indiana & California Warehouses



Canadian Warehouse



Reelcraft: Better by Design

Reelcraft's reels are better by design because of our lasting commitment to excellence. Our engineering team is well known for designing durable, high quality products. Our standard

features include durable, corrosion-resistant powder coat paint, multi-position guide arms for versatile mounting options and heavy-duty, reinforced steel stampings for increased

strength. Our reels are permanently factory-lubricated for a long, trouble-free service life. All of these features, and many more, add up to make "The Reelcraft Difference."

Reinforced Steel

The steel-stamped guide arm is reinforced to reduce bending due to angular pull.

Improved Connection

The elongated brass connector and proprietary adhesion process provide a better crimp to the hose.

Stress-free Swivel

Our full-flow design combines the highest grade seal design with supporting bearing surfaces to insure the longest possible life.

Corrosion-Resistant

Steel components are individually powder coated to virtually eliminate corrosion.

Long Service Life

Field-proven swivel assures long service life.

Finish with Quality

Our components undergo a special five-stage cleaning process and are individually powder-coated for the highest quality paint adhesion. Excess powder is reclaimed to be environmentally friendly.

Kinkless Hose

High quality PVC hose is specially blended for use on reels

Sealed Connection Points

Swivel and hose inlet connections seal against leaks

Adjustable Guide Arm

Multiple guide arm positions provide versatile uses and easier field adjustment

Trouble-Free Performance

Fewer components increase the service life of the reel and improve performance

Long Life Drive Spring

Declutching arbor virtually eliminates possibility of spring damage due to reverse winding of reel spool.

Enclosed Drive Spring

Drive mechanism is enclosed for protection against the environment.



Robust Latch

Wide profile combined with special spring assures maximum service life.

Structural Strength

Welded heavy gauge steel frame includes flanged edges and stiffening ribs for lighter weight, yet stronger components for ease of handling and installation.

Easy to Mount

Attaches to most structurally sound surfaces. Edges are curved for safety.

Series 7000

Shown: 7850 OLP

Table of Contents



Reelcraft is the industry leader for hose, cord and cable reels available anywhere in the world. We manufacture a complete line of products for many professional and commercial applications including industrial, automotive, construction, aviation, fuel delivery, welding, maritime, food processing, chemical delivery, turf/ag, custom reels and much more. Our key focus is to develop quality products that make hoses, cords and cables more productive, keep them easily accessible and make them last longer. Reelcraft is a highly innovative company in our product development and our manufacturing techniques. We have been ISO 9001:2008 accredited since 1996 and we lead the industry in developing new cutting edge products. Our lean manufacturing and Six Sigma programs give us the core competencies to continue to deliver the world's best reel products.

Reelcraft Industries is
ISO 9001:2008
Certified Since 1996

Lighter, economical 8 Series RT

1/4", 3/8", 1/2" I.D.

An economical, lighter hose reel designed for low, medium and high pressure applications.



Series RT
Patent No. 7,150,425

Compact reels 9 Series 4000 / 5000 / 5005

1/4", 3/8", 1/2" I.D.

For all general air, water, oil or grease applications.



Series 5005

Heavy duty reels 10 Series 7000

1/4", 3/8", 1/2", 3/4" I.D.

Our best-selling reel for low, medium and high pressure applications.



Series 7000

Dual pedestal reels 11 Series DP5000 / DP7000

1/4", 3/8", 1/2" I.D.

Compact interlocking base and balanced swivel.



Series DP5000
Patent Pending

Mobile base reels 12 Series D8000 / E8000

1/4", 3/8", 1/2" I.D.

The aluminum cast base and arm offer the highest rigidity among this class of hose reels.



Series D8000

Dual pedestal reels 13 Series 80000 / D80000

3/8", 1/2", 3/4", 1" I.D.

Our largest pedestal-style hose reel with heavy-duty, ball-bearing style swivel for low, medium and high pressure applications.



Series 80000

Low profile reels 14 Series SD10000

3/4", 1" I.D.

Low profile spring driven hose reel designed to handle up to 50' of 3/4" or 1" hose.



Series SD10000

Vehicle-mount reels 15 Series 9000

1/2", 3/4", 1", 1 1/4", 1 1/2" I.D.

Mobile base reel ideal for high volume air, water, fuel and petroleum applications.



Series 9000

Large mobile reels 16 Nordic Series 3100 / 4800

1/2", 3/4", 1", 1 1/4", 1 1/2", 2" I.D.

Great for high volume air, water, fuel and petroleum applications.



Nordic
Series 4800

Twin hydraulic 17 Series TH

1/4", 3/8", 1/2" I.D.

Medium pressure for operating hydraulic cylinders, motors or tools.



Series TH80000

To place an order, please advise:

1. Model number.
2. Product to be handled such as air, oil, water, etc.
3. Maximum operating pressure in psi.
4. Maximum operating temperature in degrees Fahrenheit.
5. Hose inside and outside diameters and length.
6. Installation height, especially if more than 16 feet.

7. Desired guide arm position by adding one of the suffixes to the model number. Example: 5635 OLPSW for side wind. Refer to the guide arm chart for guide arm suffix codes.

Additional Considerations:

A flexible connection between the reel and the source of supply is required to prevent possible misalignment and binding. Non-flexible connections will void the warranty.

The pressure rating of inlet hose must be equal or greater than the rating of the reel.

Accessories

Reels ordered with hose and bumper are assembled complete and ready to install. Order bumpers separately for reels without hose.

Additional questions? Please visit reelcraft.com or call for assistance.



Table of Contents

Fuel reels

18

3/4", 1", 1 1/4", 1 1/2" I.D.

For low pressure applications. Equipped with fuel-grade hose.

Series 80000 Fuel



Composite reels

21

Series S

3/8", 1/2", 5/8" I.D.

Lighter weight, easy-to-handle for low pressure air, water, chemical delivery or welding. Ideal for wash-down applications.



Series S

Grounding reels

18

Series G 3000

Used to dissipate static electricity when transferring flammable materials on fuel trucks, in chemical plants and more.

GHC3100 N



NEW!

Pressure wash

22

Series PW / H18006 / 30000

1/4", 3/8", 1/2" I.D.

Many models for high pressure applications. Spring driven, hand crank and motor driven rewind.

Series PW7000



Stainless steel reels

19

3/8", 1/2", 3/4", 1" I.D.

Full line of stainless steel reels for low and medium pressure applications.

7000 OMS



General use

23

Series CU / CT / CM

3/8", 1/2" I.D.

Hand crank: ideal for lighter duty general use or pressure wash applications.



Series CU

Pre-rinse, drinking water hose reels

20

3/8", 1/2" I.D.

Several models for pre-rinse applications and potable (drinking) water.



Drinking water

Pre-rinse

NEW!

Series CM



Medium Duty

24

Series H

3/8", 1/2", 3/4" I.D.

Hand crank: ideal for medium duty applications requiring longer hose.



Series H

Heavy duty, long hose lengths

24-25

Series 30000

1/2", 3/4", 1" I.D.

For low and medium pressure applications requiring long hose. Hand crank, air motor, bevel crank and electric motor rewind.



Series 30000

COPYRIGHT NOTICE

All rights reserved. No part of the material protected by this copyright may be reproduced or utilized in any form or by any means, electronic or mechanical, including photocopying, recording, broadcasting or by any other information storage and retrieval system without written permission from Reelcraft Industries, Inc.

Reelcraft, Work Smarter, Nordic, Hose Boss, Safe-T-Reel, Better by Design, Built Better to Perform Better and Rely on Reelcraft are the trademarks and service marks of Reelcraft Industries, Inc. registered in the United States and/or other jurisdictions. You shall not display, disparage, dilute or taint our trademarks and service marks, or use our marks in such a way that would misrepresent the identity of the owner.

All other trademarks, service marks or registered trademarks appearing on these pages are the trademarks or service marks of their respective owners. Super Swivel, Full Circle swivel, AFLAS, Viton, Quiet Speed, Buna, Push-Lok, Delrin and Pos-i-Latch are not owned by Reelcraft Industries, Inc.



Located in Northeast Indiana since 1971, Reelcraft's global headquarters' office and manufacturing space is a state-of-the-art 130,000 square foot facility.

Reelcraft's global offices serve:

- ✓ Australia
- ✓ Europe/UK
- ✓ Canada
- ✓ Asia/Pacific Rim
- ✓ Central America
- ✓ South America
- ✓ Middle East

Reelcraft Industries is
ISO 9001:2008
Certified Since 1996

Customer Service: 1.855.634.9109
All Other Calls: 1.800.444.3134

REELCRAFT®

Table of Contents



Reelcraft's product quality starts with modern engineering techniques for maximum strength through better design, better materials and tested and proven products.

We are committed to superior manufacturing processes by producing our steel components from hard tooling (dies) that increase product strength and reliability compared with simply bending metal in press breaks. In addition, we offer more levels of industrial products: Good, Better, Best and Ultimate. Our customers report that superior value is why they choose Reelcraft reels. All of these qualities and more add up to make "The Reelcraft Difference."

Reelcraft Industries is
ISO 9001:2008
Certified Since 1996

"A" frame 27 Nordic Series 1200

1/2", 3/4", 1" I.D.
"A" frame design for increased rigidity and maximum durability. Hand crank or motor driven.



Series 1200

Modular, t-slot 30 Series 40

1", 1 1/4", 1 1/2" I.D.
Durable, reliable, modular large frame reel is fully customizable to fit your specs. Gear drive, chain drive, hand crank and bevel crank.



Series 40

Steel large frame 29-33

Nordic Series 2400 / 3900 / 3700 / 5900

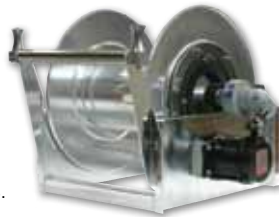
1/2", 3/4", 1", 1 1/4", 1 3/8", 1 1/2", 2", 2 1/2", 3", 4" I.D.
Rugged and durable, gear-drive, crank rewind or chain and sprocket drive powered by electric motor.



Series 3700

Propane reels 32 Nordic Series 3900 LPG / LP80000 / LPD80000

1/2", 3/4", 1", 1 1/4", 1 1/2", 2" I.D.
Propane reels designed with U/L certified swivel for LPG dispensing. Motor driven and spring driven reels.



Series 3900 LPG

Petroleum service 34 Nordic Series 3800

1 1/4", 1 3/8", 1 1/2", 2" I.D.
Inverted reel fits under the canopy of petroleum service trucks. Fluid path is designed for dispensing petroleum.

Series 3800



Single wrap reels 35 Nordic Series 6000

1 3/8", 1 1/2", 2", 2 1/2", 3" I.D.
Single wrap reel offers the narrowest profile available to store and retrieve fueling hoses.

Series 6000



Light and medium duty 36 Series LD / LG

Light and power cord reels for less demanding applications. Quality materials offering lighter weight solutions.

LG3050 143 9



Hand crank cord reels 36 Series LH

Portable power made easier with the storage of up to 100' of 10/3 power cord.

LH2080 143



Heavy duty reels 37-41 Series L4000 / L5000 / L7000 / 30000 / Nordic CR

A variety of light and power source options.

LE312 123 12D



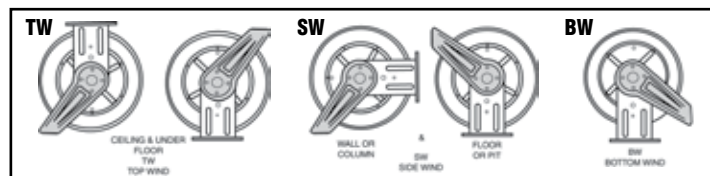
L 4035 163 3

Guide Arm Positions and Suffix Codes

Guide Arm Suffix Codes:

The suffix codes (as indicated at right) must be added after the model number to specify desired guide arm position. For example, 5635 OLPSW designates side wind guide arm position.

Additional Notes: 9000 series reels are shipped in the **BW** position and the 80000 series is shipped in the **SW** position. All other series reels are shipped in the **TW** position unless otherwise specified. Series 4000 and 5000 reels ordered in the **BW** position are available in constant tension only.



Suffix Codes

- TW Top Wind**
Ceiling and under floor
- SW Side Wind**
Wall or column; floor or pit
- BW Bottom Wind**



Table of Contents

Welding hose reels 42-43

Series TW / STW / BA

1/4", 3/8" I.D.
For low pressure oxygen/acetylene applications. Includes "T" grade reels for a variety of gases.



Series STW

Spring driven welding cable

Series WC7000 / WC80000

Stores work lead or electrode lead cable when not in use.

44



Series WC7000

Hand crank welding cable

Series CEA 30000

Stores work lead or electrode lead cable when not in use.

44



Series CEA30000

Multiple spools Safe-T-Reel Series

Ideal where space, weight and flexibility are key for manual winding of hose, cord, oxy/acetylene hose and welding cable.

45



Safe-T-Reel Series

Tool balancers

Series TB / TBL

Makes tools nearly weightless. Reduces operator fatigue and damage from dropping tools.

46



Series TB



Low pressure air/water hose

Parts/accessories 47-50

Mounting brackets, chain shrouds, roller brackets, motors, switches, hose bumpers, hose assemblies and replacement hoses.

Display stands

Three reel tabletop display S602155

Four reel tabletop display S602155-1

Six reel display S602037-2

Eight reel display S602037-1

Eight reel centerpiece display *S600539

Conveniently displays up to eight reels and features removable universal brackets for ease of mounting. It is easily assembled/disassembled. Reels sold separately.

*Any four Series 4000 or 5000 reels can be installed on the top. Any four Series RT, 5005 or 7000 reels can be installed on the bottom. Series RT and 5005 reels require either 600626 or 600230 additional mounting brackets.



Eight reel display stand



Eight reel centerpiece display stand

Custom Built Reels

Reelcraft's engineered products group custom builds reels to your specifications. Our special engineered products are developed for demanding applications in areas such as marine, military, aviation, hydro-seeding, sewer and well cleaning, offshore oil rigs, robotic cable and much more. We offer flexibility, competitive pricing and a lasting commitment to excellence. For more than 20 years, Reelcraft's engineered products group has produced custom products to meet individualized requirements.

Reelcraft's Capabilities

Very few size and weight constraints

We build to meet most extreme size and weight constraints.

Special finishes/paint options

Options include galvanized, CARC paint, marine grade epoxy, liquid enamel coat paint and powder coat paint in any color.

Various drive types

Manual crank, motorized, spring drive, hand-over-hand and more.

Wide range of pressures

A wide variety of pressure ranges available

Custom Reels

Built to your specs



from 50 to 15,000 psi and beyond.

Unique options - Hose Boss rewind assist, tensioning bars, multiple fluid paths, level rewinds and much more.

No minimum quantities

Order from 1 to as many as you need.



Marine grade epoxy



Multiple spools



Turn-key solutions



Stainless steel



Multiple fluid paths



Fiber optic cable



Sewer/jetter

Lighterweight, Economical Reels | Series RT

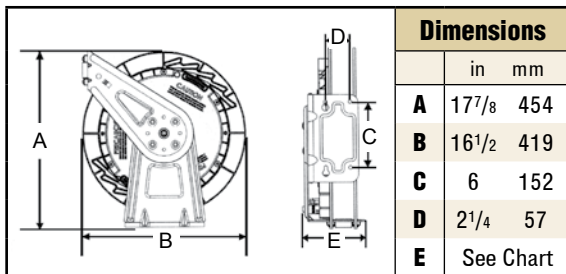


Made
 in USA

RT650-OLP
Patent No. 7,150,425

Medium Duty Spring Retractable Reels Air/Water/Oil/Grease - 1/4", 3/8", 1/2" I.D.

Series RT is an economical choice for a medium duty, lighter weight, spring-driven hose reel for applications that are less demanding, yet require a product that can withstand industrial and commercial use. The industrial-grade drive spring is protected from the environment in a polypropylene spool for longer service life. Guide arm adjusts to seven positions.



Nitrogen Reels
RT650-OLPG-GN20



Side-Mount Reels
RT650-OLPSM

| Model with Hose | Shipping Weight | | Hose I.D. | | Hose O.D. | | Hose Length | | Pressure | (M)NPTF Hose Outlet | (F)NPTF Reel Inlet | Model without hose & bumper | Shipping Weight | | Pressure | E | | | |
|--|-----------------|----|-----------|----|-----------|----|-------------|----|----------|---------------------|--------------------|-----------------------------|-----------------|-----|----------|------|-----|-------------------------------|-----|
| | lbs | kg | in | mm | in | mm | ft | m | | | | | psi | bar | | | in | in | lbs |
| Low Pressure Air/Water Reels Maximum Temperature 150 °F (65 °C) | | | | | | | | | | | | | | | | | | | |
| RT425-OLP | 19 | 9 | 1/4 | 6 | .475 | 12 | 25 | 8 | 300 | 21 | 1/4 | 3/8 | RT402-OLP | 19 | 9 | 300 | 21 | 5 ³ / ₄ | 146 |
| RT435-OLP | 21 | 10 | 1/4 | 6 | .475 | 12 | 35 | 11 | 300 | 21 | 1/4 | 3/8 | RT403-OLP | 19 | 9 | 300 | 21 | 5 ³ / ₄ | 146 |
| RT450-OLP | 24 | 11 | 1/4 | 6 | .475 | 12 | 50 | 15 | 300 | 21 | 1/4 | 3/8 | RT405-OLP | 21 | 10 | 300 | 21 | 5 ³ / ₄ | 146 |
| RT465-OLP | 25 | 11 | 1/4 | 6 | .475 | 12 | 65 | 20 | 300 | 21 | 1/4 | 3/8 | RT406-OLP | 21 | 10 | 300 | 21 | 5 ³ / ₄ | 146 |
| RT625-OLP | 20 | 9 | 3/8 | 10 | .600 | 15 | 25 | 8 | 300 | 21 | 1/4 | 3/8 | RT602-OLP | 19 | 9 | 300 | 21 | 5 ³ / ₄ | 146 |
| RT635-OLP | 21 | 10 | 3/8 | 10 | .600 | 15 | 35 | 11 | 300 | 21 | 1/4 | 3/8 | RT603-OLP | 19 | 9 | 300 | 21 | 5 ³ / ₄ | 146 |
| RT650-OLP | 27 | 12 | 3/8 | 10 | .600 | 15 | 50 | 15 | 300 | 21 | 1/4 | 1/2 | RT605-OLP | 22 | 10 | 300 | 21 | 6 ¹ / ₄ | 159 |
| RT825-OLP | 26 | 12 | 1/2 | 13 | .750 | 19 | 25 | 8 | 300 | 21 | 1/2 | 1/2 | RT802-OLP | 23 | 10 | 300 | 21 | 6 ¹ / ₄ | 159 |
| RT835-OLP | 27 | 12 | 1/2 | 13 | .750 | 19 | 35 | 11 | 300 | 21 | 1/2 | 1/2 | RT803-OLP | 23 | 10 | 300 | 21 | 6 ¹ / ₄ | 159 |
| RT850-OLP | 37 | 17 | 1/2 | 13 | .750 | 19 | 50 | 15 | 300 | 21 | 1/2 | 1/2 | RT805-OLP | 25 | 11 | 300 | 21 | 7 ³ / ₄ | 197 |
| Medium Pressure Oil Reels Maximum Temperature 150 °F (65 °C) | | | | | | | | | | | | | | | | | | | |
| RT625-OMP | 27 | 12 | 3/8 | 10 | .710 | 18 | 25 | 8 | 1000 | 69 | 3/8 | 3/8 | RT602-OMP | 22 | 10 | 1000 | 69 | 5 ³ / ₄ | 146 |
| RT635-OMP | 30 | 14 | 3/8 | 10 | .710 | 18 | 35 | 11 | 1000 | 69 | 3/8 | 3/8 | RT603-OMP | 22 | 10 | 1000 | 69 | 5 ³ / ₄ | 146 |
| RT650-OMP | 35 | 16 | 3/8 | 10 | .710 | 18 | 50 | 15 | 1000 | 69 | 3/8 | 1/2 | RT605-OMP | 25 | 11 | 1000 | 69 | 7 ³ / ₄ | 197 |
| RT825-OMP | 31 | 14 | 1/2 | 13 | .820 | 21 | 25 | 8 | 1000 | 69 | 1/2 | 1/2 | RT802-OMP | 23 | 10 | 1000 | 69 | 6 ¹ / ₄ | 159 |
| RT835-OMP | 32 | 15 | 1/2 | 13 | .820 | 21 | 35 | 11 | 1000 | 69 | 1/2 | 1/2 | RT803-OMP | 23 | 10 | 1000 | 69 | 6 ¹ / ₄ | 159 |
| High Pressure Grease Reels Maximum Temperature 150 °F (65 °C) | | | | | | | | | | | | | | | | | | | |
| RT425-OHP | 28 | 13 | 1/4 | 6 | .580 | 15 | 25 | 8 | 5000 | 345 | 1/4 | 3/8 | RT402-OHP | 22 | 10 | 5000 | 345 | 5 ³ / ₄ | 146 |
| RT435-OHP | 30 | 14 | 1/4 | 6 | .580 | 15 | 35 | 11 | 5000 | 345 | 1/4 | 3/8 | RT403-OHP | 22 | 10 | 5000 | 345 | 5 ³ / ₄ | 146 |
| RT625-OHP | 30 | 14 | 3/8 | 10 | .730 | 19 | 25 | 8 | 4800 | 331 | 3/8 | 3/8 | RT602-OHP | 22 | 10 | 5000 | 345 | 5 ³ / ₄ | 146 |
| RT635-OHP | 34 | 15 | 3/8 | 10 | .730 | 19 | 35 | 11 | 4800 | 331 | 3/8 | 1/2 | RT603-OHP | 22 | 10 | 5000 | 345 | 6 ¹ / ₄ | 159 |
| RT650-OHP | 46 | 21 | 3/8 | 10 | .730 | 19 | 50 | 15 | 4800 | 331 | 3/8 | 1/2 | RT605-OHP | 25 | 11 | 5000 | 345 | 7 ³ / ₄ | 197 |

Low pressure reels furnished standard with PVC hose. Medium pressure reels furnished standard with S.A.E. 100 R1T one wire braid hose or equivalent. High pressure reels furnished standard with S.A.E. 100 R2T two wire braid hose. Reference page 6 for guide arm positions.

Available Options

Mounting Brackets
See page 47



Inlet Hose Assemblies
See page 49



Replacement Bumpers
See page 49



Replacement Hoses
See page 50



Premium Duty Spring Retractable Reels Air/Water/Oil/Grease - 1/4", 3/8", 1/2" I.D.

Series 4000, 5000 and 5005 reels are all-steel construction and compact for a wide range of applications with critical space requirements. A full flow shaft and swivel assures maximum product delivery. Guide arm adjusts to two positions.



4625 OLP

5635 OLP

5650 OLP

Made in USA

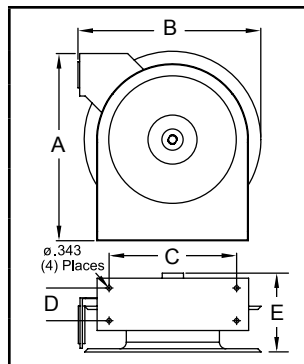


Enclosed Reels
5435 ELP



Side-Mount Reels
4625 OLP

Enclosed Models: Series 5000 E reels are the same as 5000 O reels except E Series reels are fully enclosed. To order, change the model number suffix letter O to E, Example: 5430 OHP becomes 5430 EHP. Add 8 lbs. to open reel weight. Enclosed version is only available for Series 5000 reels (size index 2 reels). Refer to reelcraft.com for dimensional information.



| | | Dimensions - Size Index | | | | | | | |
|----------|--|--------------------------------|-----|--------------------------------|-----|--------------------------------|-----|--------------------------------|-----|
| | | 1 | | 2 | | 3 | | 4 | |
| | | in | mm | in | mm | in | mm | in | mm |
| A | | 12 ⁷ / ₈ | 327 | 14 ³ / ₈ | 365 | 17 ⁵ / ₈ | 448 | 17 ⁵ / ₈ | 448 |
| B | | 12 ³ / ₈ | 314 | 14 | 356 | 16 ¹ / ₂ | 419 | 16 ¹ / ₂ | 419 |
| C | | 8 | 203 | 9 ³ / ₄ | 248 | 9 ³ / ₄ | 248 | 9 ³ / ₄ | 248 |
| D | | 2 ¹ / ₂ | 64 | 2 ¹ / ₂ | 64 | 2 ¹ / ₂ | 64 | 2 ¹ / ₂ | 64 |
| E | | 5 ⁵ / ₈ | 143 | 6 ¹ / ₈ | 156 | 5 ⁷ / ₈ | 149 | 7 ¹ / ₄ | 184 |

NOTE: See operating instructions for optimum mounting configuration.

| Quiet latch with Hose | Ratchet latch with Hose | Shipping Weight | Hose I.D. | Hose O.D. | Hose Length | Pressure | (M)NPTF Hose Outlet | (F)NPTF Reel Inlet | Quiet latch without hose & bumper | Shipping Weight | Pressure | Size Index # | | | | | | | |
|--|-------------------------|-----------------|-----------|-----------|-------------|----------|---------------------|--------------------|-----------------------------------|-----------------|----------|--------------|-----|-----------|-----|----|------|-----|---|
| lbs | kg | in | mm | in | mm | ft | m | psi | bar | in | in | in | mm | psi | bar | | | | |
| Low Pressure Air/Water Reels Maximum Temperature 150 °F (65 °C) | | | | | | | | | | | | | | | | | | | |
| 4420 OLP | ----- | 18 | 8 | 1/4 | 6 | .475 | 12 | 20 | 6 | 300 | 21 | 1/4 | 3/8 | 4400 OLP | 17 | 8 | 500 | 35 | 1 |
| 4425 OLP | B4425 OLP | 19 | 9 | 1/4 | 6 | .475 | 12 | 25 | 8 | 300 | 21 | 1/4 | 3/8 | 4400 OLP | 17 | 8 | 500 | 35 | 1 |
| 4435 OLP | B4435 OLP | 19 | 9 | 1/4 | 6 | .475 | 12 | 35 | 11 | 300 | 21 | 1/4 | 3/8 | 4400 OLP | 17 | 8 | 500 | 35 | 1 |
| 5450 OLP | B5450 OLP | 26 | 12 | 1/4 | 6 | .475 | 12 | 50 | 15 | 300 | 21 | 1/4 | 3/8 | 5400 OLP | 20 | 9 | 500 | 35 | 2 |
| 4617 OLP | ----- | 19 | 9 | 3/8 | 10 | .600 | 15 | 17 | 5 | 300 | 21 | 1/4 | 3/8 | 4600 OLP | 17 | 8 | 500 | 35 | 1 |
| 4625 OLP | B4625 OLP | 20 | 9 | 3/8 | 10 | .600 | 15 | 25 | 8 | 300 | 21 | 1/4 | 3/8 | 4600 OLP | 17 | 8 | 500 | 35 | 1 |
| 5635 OLP | B5635 OLP | 25 | 11 | 3/8 | 10 | .600 | 15 | 35 | 11 | 300 | 21 | 1/4 | 3/8 | 5600 OLP | 21 | 10 | 500 | 35 | 2 |
| 5650 OLP | B5650 OLP | 36 | 16 | 3/8 | 10 | .600 | 15 | 50 | 15 | 300 | 21 | 1/4 | 3/8 | 5605 OLP | 31 | 14 | 500 | 35 | 3 |
| A5825 OLP | B5825 OLP | 27 | 12 | 1/2 | 13 | .750 | 19 | 25 | 8 | 300 | 21 | 1/2 | 3/8 | A5800 OLP | 22 | 10 | 500 | 35 | 2 |
| A5835 OLP | B5835 OLP | 39 | 18 | 1/2 | 13 | .750 | 19 | 35 | 11 | 300 | 21 | 1/2 | 3/8 | A5805 OLP | 32 | 15 | 500 | 35 | 3 |
| A5850 OLP | B5850 OLP | 41 | 19 | 1/2 | 13 | .750 | 19 | 50 | 15 | 300 | 21 | 1/2 | 3/8 | A5806 OLP | 35 | 16 | 500 | 35 | 4 |
| Medium Pressure Oil Reels Maximum Temperature 210 °F (99 °C) | | | | | | | | | | | | | | | | | | | |
| 5435 OMP | B5435 OMP | 31 | 14 | 1/4 | 6 | .530 | 13 | 35 | 11 | 2750 | 190 | 1/4 | 3/8 | 5400 OMP | 23 | 10 | 3000 | 207 | 2 |
| 5630 OMP | B5630 OMP | 31 | 14 | 3/8 | 10 | .690 | 18 | 30 | 9 | 2600 | 179 | 3/8 | 3/8 | 5600 OMP | 24 | 11 | 3000 | 207 | 2 |
| A5825 OMP* | B5825 OMP* | 34 | 15 | 1/2 | 13 | .820 | 21 | 25 | 8 | 3250 | 224 | 1/2 | 3/8 | A5800 OMP | 24 | 11 | 3250 | 207 | 2 |
| A5835 OMP | B5835 OMP | 42 | 19 | 1/2 | 13 | .820 | 21 | 35 | 11 | 3250 | 224 | 1/2 | 3/8 | A5805 OMP | 32 | 15 | 3250 | 207 | 3 |
| High Pressure Grease Reels Maximum Temperature 210 °F (99 °C) | | | | | | | | | | | | | | | | | | | |
| 5430 OHP | ----- | 30 | 14 | 1/4 | 6 | .580 | 15 | 30 | 9 | 5000 | 345 | 1/4 | 1/4 | 5400 OHP | 23 | 10 | 5000 | 345 | 2 |
| 5435 OHP | B5435 OHP | 39 | 18 | 1/4 | 6 | .580 | 15 | 35 | 11 | 5000 | 345 | 1/4 | 1/4 | 5405 OHP | 33 | 15 | 5000 | 345 | 3 |
| 5625 OHP | B5625 OHP | 32 | 15 | 3/8 | 10 | .730 | 19 | 25 | 8 | 4800 | 331 | 1/4 | 1/4 | 5600 OHP | 26 | 12 | 5000 | 345 | 2 |

***Floor tank mount only - do not mount on ceiling.** Low pressure reels furnished standard with PVC hose. Compressed air hoses should not be converted to oxygen service - may cause explosion when O₂ mixes with fuel. Medium pressure reels furnished standard with S.A.E. 100 R1T one wire braid hose. High pressure reels furnished standard with S.A.E. 100 R2T two wire braid hose. Reference page 6 for guide arm positions.

Available Options

Mounting Brackets
See page 47



Inlet Hose Assemblies
See page 49



Replacement Bumpers
See page 49



Replacement Hoses
See page 50



Heavy Duty Hose Reels | Series 7000



Fry's Napa AutoCare Center, Columbia City, IN



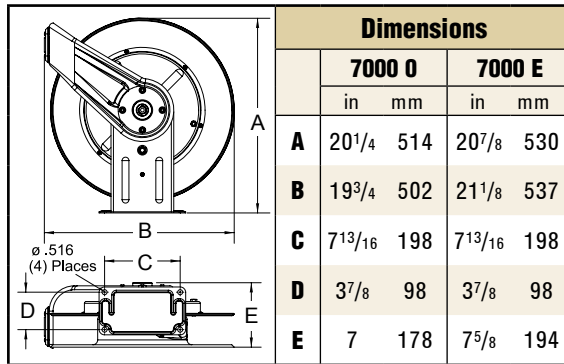
7850 OLP

Heavy Duty Spring Retractable Hose Reels

Air/Water/Oil/Grease - 1/4", 3/8", 1/2", 3/4" I.D.

Series 7000 is very robust and ideal for the most demanding applications. The reel's base and guide arm are formed from high-grade steel and engineered with structural forms and gussets to yield the greatest amount of strength. The standard low pressure hose is for air or water service only. The basic reel without hose can be used for air, water or oil. Consult Reelcraft for other products and hoses. Guide arm adjusts to 3 positions.

For all metric thread connections over 1/2" add the suffix number 70 to indicate BSPT threads - example 7900 OLP70.



Series 7000 E reels are the same as 7000 O reels except **E Series reels are fully enclosed**. To order, change the model number suffix letter O to E. Example, 7650 OHP becomes 7650 EHP. Add 17 lbs. to open reel weight.

Applications

- Industrial
- Automotive service centers
- Transmission shops
- Fleet maintenance facilities
- Pneumatic tools
- Aircraft maintenance
- Tire stores
- Agriculture
- Service trucks
- Wash down



Enclosed Reels
7650 ELP



| Model with Hose | Shipping Weight | | Hose I.D. | | Hose O.D. | | Hose Length | | Pressure | | (M)NPTF Hose Outlet | (F)NPTF Reel Inlet | Model without hose & bumper | Shipping Weight | | Pressure | |
|--|-----------------|----|-----------|----|-----------|----|-------------|----|----------|-----|---------------------|--------------------|-----------------------------|-----------------|----|----------|-----|
| | lbs | kg | in | mm | in | mm | ft | m | psi | bar | | | | lbs | kg | psi | bar |
| Low Pressure Air/Water Reels Maximum Temperature 150 °F (65 °C) | | | | | | | | | | | | | | | | | |
| 7650 OLP | 43 | 20 | 3/8 | 10 | .600 | 15 | 50 | 15 | 300 | 21 | 1/4 | 1/2 | 7600 OLP | 40 | 18 | 500 | 35 |
| 7670 OLP | 47 | 21 | 3/8 | 10 | .600 | 15 | 70 | 22 | 300 | 21 | 1/4 | 1/2 | 7607 OLP | 40 | 18 | 500 | 35 |
| 7850 OLP | 47 | 21 | 1/2 | 13 | .750 | 19 | 50 | 15 | 300 | 21 | 3/8 | 1/2 | 7800 OLP | 41 | 19 | 500 | 35 |
| 7850 OLP121 | 47 | 21 | 1/2 | 13 | .750 | 19 | 50 | 15 | 300 | 21 | 1/2 | 1/2 | 7800 OLP | 41 | 19 | 500 | 35 |
| 7850 OLP5W57 | 47 | 21 | 1/2 | 13 | .750 | 19 | 50 | 15 | 300 | 21 | 3/4 NH | 1/2 | 7800 OLP | 41 | 19 | 500 | 35 |
| 7925 OLP | 47 | 21 | 3/4 | 19 | 1.075 | 27 | 25 | 8 | 250 | 17 | 3/4 | 3/4 | 7900 OLP | 44 | 20 | 500 | 35 |
| F7925 OLP* | 47 | 21 | 3/4 | 19 | 1.075 | 27 | 25 | 8 | 50 | 3 | 3/4 | 3/4 | F7900 OLP | 45 | 20 | 500 | 35 |
| Medium Pressure Oil Reels Maximum Temperature 210 °F (99 °C) | | | | | | | | | | | | | | | | | |
| 7650 OMP | 55 | 25 | 3/8 | 10 | .690 | 18 | 50 | 15 | 2600 | 179 | 3/8 | 1/2 | 7600 OMP | 43 | 20 | 3000 | 207 |
| 7850 OMP | 57 | 26 | 1/2 | 13 | .820 | 21 | 50 | 15 | 3250 | 224 | 1/2 | 1/2 | 7800 OMP | 43 | 20 | 3250 | 224 |
| High Pressure Grease Reels Maximum Temperature 210 °F (99 °C) | | | | | | | | | | | | | | | | | |
| 7450 OHP | 55 | 25 | 1/4 | 6 | .580 | 15 | 50 | 15 | 5000 | 345 | 1/4 | 1/2 | 7400 OHP | 43 | 20 | 5000 | 345 |
| 7650 OHP | 60 | 27 | 3/8 | 10 | .730 | 19 | 50 | 15 | 4800 | 331 | 1/4 | 1/2 | 7600 OHP | 46 | 21 | 5000 | 345 |

Low pressure reels furnished standard with PVC hose. Medium pressure reels furnished standard with S.A.E. 100 R1T one wire braid hose. High pressure reels furnished standard with S.A.E. 100 R2T two wire braid hose. For hydraulic or other applications please consult manufacturer. *Series F7925 OLP supplied with UL330 and UCL approved fuel grade hose with a 250 psi (17 bar) minimum burst. Reference page 6 for guide arm positions.

Available Options

Mounting Brackets
See page 47



Inlet Hose Assemblies
See page 49



Replacement Bumpers
See page 49



Replacement Hoses
See page 50



Compact Dual Pedestal Reels | Series DP5000 / DP7000

Heavy Duty Spring Retractable Hose Reels

Air/Water/Oil/Grease - 1/4", 3/8", 1/2" I.D.

Reelcraft's new compact dual pedestal Series DP5000 and DP7000 feature an innovative, non-welded, interlocking base. Independent testing to military standards has proven the reel stand up to heavy vibration, which makes them especially strong and ideal for truck-mounted applications. Superbly engineered dual pedestal base and guide arm are structurally reinforced. All-steel construction and a baked-on powder coat finish combine to produce a rugged corrosion-resistant product suitable for a wide variety of heavy duty applications.



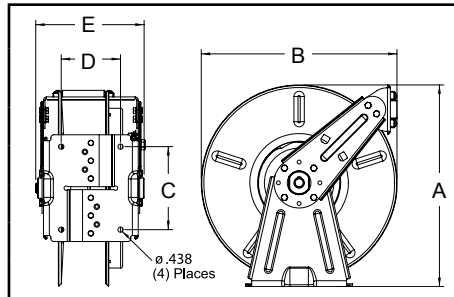
Meets or exceeds military vibration for Truck Transport test
MIL-STD-810F
500,000 mile equivalent

✓ Superior corrosion-resistance

A double adhesive gasket seals the spring case. Steel parts are powder coated to provide excellent protection against weathering.

✓ Ease of operation

The latch pawl is mounted on the guide arm to prevent latch out at full extension. The high impact, nylon-filled guide rollers make retraction and pay out nearly effortless.



| | Dimensions - Size Index | | | | | | | |
|----------|--------------------------------|-----|--------------------------------|-----|--------------------------------|-----|--------------------------------|-----|
| | 1 | | 2 | | 3 | | 4 | |
| | in mm | | in mm | | in mm | | in mm | |
| A | 16 ³ / ₈ | 416 | 16 ³ / ₈ | 416 | 17 | 432 | 17 | 432 |
| B | 14 ³ / ₈ | 365 | 14 ³ / ₈ | 365 | 16 ¹ / ₂ | 419 | 16 ¹ / ₂ | 419 |
| C | 7 | 178 | 7 | 178 | 7 | 178 | 7 | 178 |
| D | 4 | 102 | 5 | 127 | 4 | 102 | 5 | 127 |
| E | 8 | 203 | 9 | 229 | 8 | 203 | 9 | 229 |

| Model with Hose | Shipping Weight | | Hose I.D. | | Hose O.D. | | Hose Length | | Pressure | | (M)NPTF Hose Outlet | (F)NPTF Reel Inlet | Model without hose & bumper | Shipping Weight | | Pressure | | Size Index # |
|--|-----------------|----|-----------|----|-----------|----|-------------|----|----------|-----|---------------------|--------------------|-----------------------------|-----------------|----|----------|-----|--------------|
| | lbs | kg | in | mm | in | mm | ft | m | psi | bar | in | in | | lbs | kg | psi | bar | |
| Low Pressure Air/Water Reels Maximum Temperature 150 °F (65 °C) w/hose / 210 °F (99 °C) w/o hose | | | | | | | | | | | | | | | | | | |
| DP5435 OLP | 34 | 15 | 1/4 | 6 | .475 | 12 | 35 | 11 | 300 | 21 | 1/4 | 1/2 | DP5400 OLP | 29 | 13 | 500 | 35 | 1 |
| DP5450 OLP | 37 | 17 | 1/4 | 6 | .475 | 12 | 50 | 15 | 300 | 21 | 1/4 | 1/2 | DP5400 OLP | 29 | 13 | 500 | 35 | 1 |
| DP7450 OLP | 46 | 21 | 1/4 | 6 | .475 | 12 | 50 | 15 | 300 | 21 | 1/4 | 1/2 | DP7400 OLP | 44 | 20 | 500 | 35 | 3 |
| DP5635 OLP | 41 | 19 | 3/8 | 10 | .600 | 15 | 35 | 11 | 300 | 21 | 1/4 | 1/2 | DP5600 OLP | 37 | 17 | 500 | 35 | 1 |
| DP5650 OLP | 44 | 20 | 3/8 | 10 | .600 | 15 | 50 | 15 | 300 | 21 | 1/4 | 1/2 | DP5605 OLP | 38 | 17 | 500 | 35 | 2 |
| DP7650 OLP | 50 | 23 | 3/8 | 10 | .600 | 15 | 50 | 15 | 300 | 21 | 1/4 | 1/2 | DP7600 OLP | 44 | 20 | 500 | 35 | 3 |
| DP5835 OLP | 52 | 24 | 1/2 | 13 | .750 | 19 | 35 | 11 | 300 | 21 | 3/8 | 1/2 | DP5800 OLP | 38 | 17 | 500 | 35 | 2 |
| DP7850 OLP | 53 | 24 | 1/2 | 13 | .750 | 19 | 50 | 15 | 300 | 21 | 3/8 | 1/2 | DP7800 OLP | 45 | 20 | 500 | 35 | 4 |
| DP7850 OLP121 | 53 | 24 | 1/2 | 13 | .750 | 19 | 50 | 15 | 300 | 21 | 1/2 | 1/2 | DP7800 OLP | 45 | 20 | 500 | 35 | 4 |
| Medium Pressure Oil Reels Maximum Temperature 210 °F (99 °C) | | | | | | | | | | | | | | | | | | |
| DP7650 OMP | 55 | 25 | 3/8 | 10 | .690 | 18 | 50 | 15 | 2600 | 179 | 3/8 | 1/2 | DP7600 OMP | 45 | 20 | 3000 | 207 | 3 |
| DP5835 OMP | 54 | 24 | 1/2 | 13 | .820 | 21 | 35 | 11 | 3250 | 224 | 1/2 | 1/2 | DP5800 OMP | 40 | 18 | 3250 | 224 | 2 |
| DP7850 OMP | 64 | 29 | 1/2 | 13 | .820 | 21 | 50 | 15 | 3250 | 224 | 1/2 | 1/2 | DP7800 OMP | 45 | 20 | 3250 | 224 | 4 |
| High Pressure Grease Reels Maximum Temperature 210 °F (99 °C) | | | | | | | | | | | | | | | | | | |
| DP7450 OHP | 59 | 27 | 1/4 | 6 | .580 | 15 | 50 | 15 | 5000 | 345 | 1/4 | 1/2 | DP7400 OHP | 44 | 20 | 5000 | 345 | 3 |
| DP5635 OHP | 43 | 20 | 3/8 | 10 | .730 | 19 | 35 | 11 | 4800 | 331 | 1/4 | 1/2 | DP5600 OHP | 40 | 18 | 5000 | 345 | 2 |
| DP7650 OHP | 65 | 29 | 3/8 | 10 | .730 | 19 | 50 | 15 | 4800 | 331 | 1/4 | 1/2 | DP7600 OHP | 46 | 21 | 5000 | 345 | 3 |
| Low pressure reels furnished standard with PVC hose. Medium pressure reels furnished standard with S.A.E. 100 R1T one wire braid hose. High pressure reels furnished standard with S.A.E. 100 R2T two wire braid hose. Reference page 6 for guide arm positions. | | | | | | | | | | | | | | | | | | |

Available Options

Mounting Brackets
See page 47



Inlet Hose Assemblies
See page 49



Replacement Bumpers
See page 49



Replacement Hoses
See page 50



Vehicle-Mount Reels | Series D8000 / E8000

Ultimate Duty Spring Retractable Reels Air/Water/Oil/Grease - 1/4", 3/8", 1/2" I.D.

The ultra duty aluminum cast base and arm of the Series D8000 and E8000 offers the highest rigidity among this class of hose reels. The guide arm is field-adjustable for floor, wall, ceiling, pit and truck mounting. The durable baked-on, powder-coat finish provides a high quality ultra-violet radiation (sunlight), weather and chip-resistant finish.

Made in USA 



D8650 OLP

Enclosed Model



D8650 ELP

Series D8000 E reels are the same as D8000 O reels except **these reels are fully enclosed**. To order, change the model number suffix letter O to E. Example, D8650 OLP becomes D8650 ELP. Add 17 pounds to open reel weight.

FEATURES

- ✓ Aluminum guide arm and base are cast from 40,000 P.S.I. tensile strength material with 7% elongation which assures ultimate shock resistance. Cast aluminum frame gives maximum strength with minimum payload weight.
- ✓ A special heavy, double adhesive sided spring case gasket protects the main spring from damage (failure) caused by water, dirt or other foreign matter entering the spring case.
- ✓ Guide arm is field adjustable for floor, wall, ceiling, pit and truck mounting.
- ✓ Full flow shaft and swivel.
- ✓ Reel springs are manufactured from the highest quality scale-less blue tempered steel.
- ✓ Individually coated components with a durable baked-on powder coat finish provides excellent high quality ultra violet radiation (sunlight), weather and chip-resistant finish.

| Diagram | Dimensions | | | |
|---------|------------|-----|---------|-----|
| | D/E8000 O | | D8000 E | |
| | in | mm | in | mm |
| A | 21 1/8 | 537 | 21 5/8 | 549 |
| B | 19 | 483 | 20 7/8 | 530 |
| C | 7 7/8 | 200 | 7 7/8 | 200 |
| D | 3 3/4 | 95 | 3 3/4 | 98 |
| E | 9 1/4 | 235 | 10 1/2 | 267 |

| Model with Hose | Shipping Weight | | Hose I.D. | | Hose O.D. | | Hose Length | | Pressure | | (M)NPTF Hose Outlet | (F)NPTF Reel Inlet | Model without hose & bumper | Shipping Weight | | Pressure | |
|---|-----------------|----|-----------|----|-----------|----|-------------|----|----------|-----|---------------------|--------------------|-----------------------------|-----------------|----|----------|-----|
| | lbs | kg | in | mm | in | mm | ft | m | psi | bar | | | | in | in | lbs | kg |
| Low Pressure Air/Water Reels Maximum Temperature 150 °F (65 °C) w/hose / 210 °F (99 °C) w/o hose | | | | | | | | | | | | | | | | | |
| D8650 OLP | 45 | 20 | 3/8 | 10 | .600 | 15 | 50 | 15 | 300 | 21 | 1/4 | 1/2 | D8600 OLP | 40 | 18 | 500 | 35 |
| D8670 OLP | 47 | 21 | 3/8 | 10 | .600 | 15 | 70 | 21 | 300 | 21 | 1/4 | 1/2 | D8600 OLP | 40 | 18 | 500 | 35 |
| D8850 OLP | 47 | 21 | 1/2 | 13 | .750 | 19 | 50 | 15 | 300 | 21 | 3/8 | 1/2 | D8800 OLP | 41 | 19 | 500 | 35 |
| E8850 OLP* | 47 | 21 | 1/2 | 13 | .750 | 19 | 50 | 15 | 300 | 21 | 3/8 | 1/2 | E8800 OLP | 41 | 19 | 500 | 35 |
| Medium Pressure Oil Reels Maximum Temperature 210 °F (99 °C) | | | | | | | | | | | | | | | | | |
| D8650 OMP | 47 | 21 | 3/8 | 10 | .690 | 18 | 50 | 15 | 2600 | 179 | 3/8 | 1/2 | D8600 OMP | 43 | 20 | 3000 | 207 |
| D8840 OMP | 53 | 24 | 1/2 | 13 | .820 | 21 | 40 | 12 | 3250 | 224 | 1/2 | 1/2 | D8800 OMP | 43 | 20 | 3250 | 224 |
| D8850 OMP | 57 | 26 | 1/2 | 13 | .820 | 21 | 50 | 15 | 3250 | 224 | 1/2 | 1/2 | D8800 OMP | 43 | 20 | 3250 | 224 |
| E8850 OMP* | 57 | 26 | 1/2 | 13 | .820 | 21 | 50 | 15 | 3250 | 224 | 1/2 | 1/2 | E8800 OMP | 43 | 20 | 3250 | 224 |
| High Pressure Grease Reels Maximum Temperature 210 °F (99 °C) | | | | | | | | | | | | | | | | | |
| D8450 OHP | 53 | 24 | 1/4 | 6 | .580 | 15 | 50 | 15 | 5000 | 345 | 1/4 | 1/2 | D8400 OHP | 44 | 20 | 5000 | 345 |
| D8650 OHP | 60 | 27 | 3/8 | 10 | .730 | 19 | 50 | 15 | 4800 | 331 | 1/4 | 1/2 | D8600 OHP | 44 | 20 | 5000 | 345 |
| E8650 OHP* | 60 | 27 | 3/8 | 10 | .730 | 19 | 50 | 15 | 4800 | 331 | 1/4 | 1/2 | E8600 OHP | 44 | 20 | 5000 | 345 |

*Series E8000 models are for lubrication trucks. Low pressure reels furnished standard with PVC hose. Medium pressure reels are furnished standard with S.A.E. 100 R1T one wire braid hose. High pressure reels furnished standard with SAE 100 R2T two wire braid hose. Reference page 6 for guide arm positions.

Available Options

Optional Roller Guides
See page 47



Inlet Hose Assemblies
See page 49



Replacement Bumpers
See page 49



Replacement Hoses
See page 50



Heavy Duty Spring Retractable Reels

Air/Water/Oil/Grease - 3/8", 1/2", 3/4", 1" I.D.

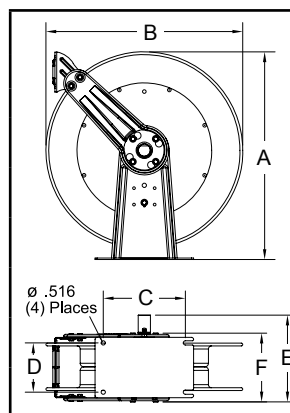
Reelcraft's Series 80000 and D80000 spring retractable reels incorporate the most current design and manufacturing techniques to guarantee long life and trouble-free performance. All-steel construction and a baked-on powder coat finish combine to produce a rugged, corrosion-resistant product suitable for a wide variety of heavy duty applications. Series D80000 reels are also supplied with Reelcraft's ball-bearing style swivel.



82100 OLP

FEATURES

- ✓ Hose anti latch-out feature ensures hose retracts every time.
- ✓ Guide arm is field adjustable for wall, ceiling, or truck mounting positions.
- ✓ Dual pedestal base and guide arm design are structurally reinforced.
- ✓ Five-in-one, heat-treated aluminium casting incorporates main shaft, ratchet, spring arbor and inlet/outlet plumbing in one-piece casting.
- ✓ Containerized spring assembly provides safer and easier handling during maintenance.
- ✓ Two sealed ball bearings for smooth rotation of main shaft.



| | Dimensions - Size Index | | | | | |
|----------|--------------------------------|-----|--------------------------------|-----|--------------------------------|-----|
| | 1 | | 2 | | 3 | |
| | in | mm | in | mm | in | mm |
| A | 25 ³ / ₈ | 645 | 25 ³ / ₈ | 645 | 25 ³ / ₈ | 645 |
| B | 24 | 610 | 24 | 610 | 24 | 610 |
| C | 10 | 254 | 10 ¹ / ₂ | 267 | 10 ¹ / ₂ | 267 |
| D | 6 | 152 | 7 ⁷ / ₈ | 200 | 7 ⁷ / ₈ | 200 |
| E | 10 ¹ / ₂ | 267 | 13 | 330 | 15 ³ / ₄ | 400 |
| F | 8 ¹ / ₈ | 206 | 10 ³ / ₈ | 264 | 10 ³ / ₈ | 264 |

| Model with Hose | Shipping Weight | | Hose I.D. | | Hose O.D. | | Hose Length | | Pressure | | (M)NPTF Hose Outlet | (F)NPTF Reel Inlet | Model without hose & bumper | Shipping Weight | | Pressure | | Size Index # |
|---|-----------------|----|-----------|----|-----------|----|-------------|----|----------|-----|---------------------|--------------------|-----------------------------|-----------------|----|----------|-----|--------------|
| | lbs | kg | in | mm | in | mm | ft | m | psi | bar | in | in | | lbs | kg | psi | bar | |
| Low Pressure Air/Water Reels Maximum Temperature 150 °F (65 °C) w/hose / 210 °F (99 °C) w/o hose | | | | | | | | | | | | | | | | | | |
| 81100 OLP | 82 | 37 | 3/8 | 10 | .600 | 15 | 100 | 30 | 300 | 21 | 3/8 | 1/2 | 81000 OLP | 77 | 35 | 500 | 35 | 1 |
| 82075 OLP | 87 | 39 | 1/2 | 13 | .750 | 19 | 75 | 23 | 300 | 21 | 1/2 | 1/2 | 82000 OLP | 82 | 37 | 500 | 35 | 1 |
| 82100 OLP | 95 | 43 | 1/2 | 13 | .750 | 19 | 100 | 30 | 300 | 21 | 1/2 | 1/2 | 82000 OLP | 82 | 37 | 500 | 35 | 1 |
| 83050 OLP | 88 | 40 | 3/4 | 19 | 1.075 | 27 | 50 | 15 | 250 | 17 | 3/4 | 3/4 | 83000 OLP | 77 | 35 | 500 | 35 | 1 |
| F83050 OLP* | 89 | 41 | 3/4 | 19 | 1.075 | 27 | 50 | 15 | 50 | 3 | 3/4 | 3/4 | F83000 OLP | 74 | 34 | 500 | 35 | 1 |
| D83075 OLP | 102 | 46 | 3/4 | 19 | 1.075 | 27 | 75 | 23 | 250 | 17 | 3/4 | 3/4 | D83000 OLP | 83 | 38 | 500 | 35 | 2 |
| D84050 OLP | 103 | 47 | 1 | 25 | 1.375 | 35 | 50 | 15 | 250 | 17 | 3/4 | 1 | D84000 OLP | 91 | 41 | 500 | 35 | 3 |
| Medium Pressure Oil Reels Maximum Temperature 210 °F (99 °C) | | | | | | | | | | | | | | | | | | |
| 82075 OMP | 101 | 46 | 1/2 | 13 | .850 | 22 | 75 | 23 | 2000 | 138 | 1/2 | 1/2 | 82000 OMP | 82 | 37 | 2000 | 138 | 1 |
| 83050 OMP | 98 | 44 | 3/4 | 19 | 1.188 | 30 | 50 | 15 | 1250 | 86 | 3/4 | 3/4 | 83000 OMP | 84 | 38 | 1500 | 104 | 1 |
| High Pressure Grease Reels Maximum Temperature 210 °F (99 °C) | | | | | | | | | | | | | | | | | | |
| 81075 OHP | 111 | 50 | 3/8 | 10 | .730 | 19 | 75 | 23 | 4800 | 331 | 3/8 | 3/8 | 81000 OHP | 85 | 39 | 5000 | 345 | 1 |
| 81100 OHP | 127 | 58 | 3/8 | 10 | .730 | 19 | 100 | 30 | 4800 | 331 | 3/8 | 3/8 | 81000 OHP | 85 | 39 | 5000 | 345 | 1 |

*Model F83050 OLP equipped with UL330 and ULC approved fuel grade hose. 250 psi (17 bar) minimum burst. For all metric thread connections over 1/2" add the suffix number 70 to indicate BSPT threads - example 83050 OLP70. Low pressure reels furnished standard with PVC hose. Medium pressure reels are furnished standard with S.A.E. 100 R1T one wire braid hose. High pressure reels furnished standard with SAE 100 R2T two wire braid hose. Modifications: Reels without hose can be modified to handle gasoline and diesel fuel. To order, place prefix "F" before model number (F83000 OLP). Reference page 6 for guide arm positions.

Available Options

Mounting Brackets
See page 47



Inlet Hose Assemblies
See page 49



Replacement Bumpers
See page 49



Replacement Hoses
See page 50



Low Profile Hose Reels | Series SD10000



SD13050 OLP

NEW!

Spring Retractable Low Profile Reels Air/Water/Oil/Vacuum Recovery - 3/4", 1" I.D.

Series SD10000 hose reels are designed to facilitate larger diameter 3/4" and 1" hose up to 50 ft. They feature a high quality external drive spring and a heavy gauge all-bolted together frame. This is the most compact reel in its class, making it ideal for mounting in truck cabinets or other areas where space is limited.

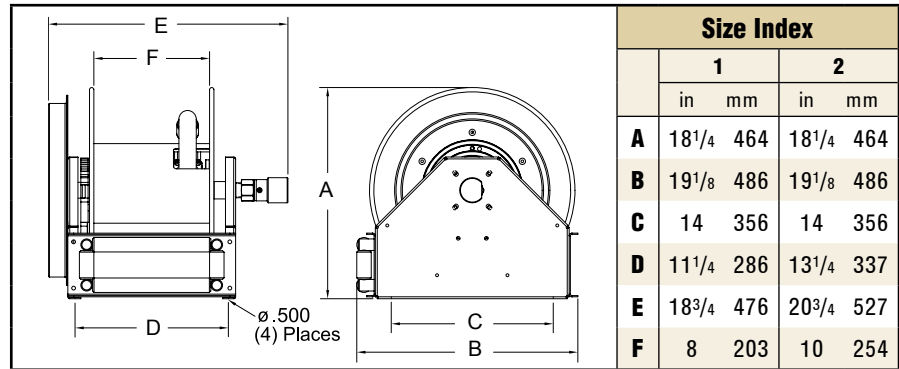
FEATURES

- ✓ Reel features extreme space saving design, ideal for applications with minimal space constraints.
- ✓ Reel is built with high quality industrial grade components for superior strength and design.

SPECIFICATIONS

- High impact UHMW guide rollers
- Corrosion resistant powder coat paint
- 1 3/8" solid main shaft
- Four 5/8" tie rods maintain reel integrity and provide added support
- Containerized external drive spring assembly is easily and safely serviced
- Ultra low profile design for mounting in cabinetry
- Ductile iron fluid path parts
- Stainless latch spring and widened aluminum ratchet/pawl
- Torsion spring for longer service life

Made in USA



All models are bottom wind unless otherwise specified. Additional bracket required for other guide arm positions.

| Model with Hose | Shipping Weight | | Hose I.D. | | Hose O.D. | | Hose Length | | Pressure | | (M)NPTF Hose Outlet | (F)NPTF Reel Inlet | Model without hose & bumper | Shipping Weight | | Pressure | | Size Index # |
|--|-----------------|----|-----------|----|-----------|----|-------------|----|---------------|-----|---------------------|--------------------|-----------------------------|-----------------|----|---------------|-----|--------------|
| | lbs | kg | in | mm | in | mm | ft | m | psi | bar | in | in | | lbs | kg | psi | bar | |
| Low Pressure Air/Water Reels Maximum Temperature 210 °F (99 °C) | | | | | | | | | | | | | | | | | | |
| SD13035 OLP | 95 | 43 | 3/4 | 19 | 1.188 | 30 | 35 | 11 | 250 | 17 | 3/4 | 1 | SD13000 OLP | 85 | 39 | 500 | 35 | 1 |
| SD13050 OLP | 105 | 48 | 3/4 | 19 | 1.188 | 30 | 50 | 15 | 250 | 17 | 3/4 | 1 | SD13000 OLP | 85 | 39 | 500 | 35 | 1 |
| SD14035 OLP | 102 | 46 | 1 | 25 | 1.375 | 35 | 35 | 11 | 250 | 17 | 3/4 | 1 | SD14000 OLP | 85 | 39 | 500 | 35 | 1 |
| SD14050 OLP | 125 | 57 | 1 | 25 | 1.375 | 35 | 50 | 15 | 250 | 17 | 3/4 | 1 | SD14005 OLP | 92 | 42 | 500 | 35 | 2 |
| Medium Pressure Oil Reels Maximum Temperature 210 °F (99 °C) | | | | | | | | | | | | | | | | | | |
| SD13035 OMP | 95 | 43 | 3/4 | 19 | 1.188 | 30 | 35 | 11 | 1250 | 86 | 3/4 | 1 | SD13000 OMP | 85 | 39 | 3000 | 207 | 1 |
| SD13050 OMP | 105 | 48 | 3/4 | 19 | 1.188 | 30 | 50 | 15 | 1250 | 86 | 3/4 | 1 | SD13000 OMP | 85 | 39 | 3000 | 207 | 1 |
| Vacuum Recovery Reels Maximum Temperature 210 °F (99 °C) | | | | | | | | | | | | | | | | | | |
| SD13035 OVP | 95 | 43 | 3/4 | 19 | 1.260 | 32 | 35 | 11 | 28 Hg~300 psi | | 3/4 | 1 | SD13000 OVP | 85 | 39 | 28 Hg~300 psi | | 1 |
| SD13050 OVP | 105 | 48 | 3/4 | 19 | 1.260 | 32 | 50 | 15 | 28 Hg~300 psi | | 3/4 | 1 | SD13000 OVP | 85 | 39 | 28 Hg~300 psi | | 1 |
| SD14035 OVP | 102 | 46 | 1 | 25 | 1.496 | 38 | 35 | 11 | 28 Hg~250 psi | | 1 | 1 | SD14000 OVP | 85 | 39 | 28 Hg~300 psi | | 1 |
| SD14050 OVP | 125 | 57 | 1 | 25 | 1.496 | 38 | 50 | 15 | 28 Hg~250 psi | | 1 | 1 | SD14005 OVP | 92 | 42 | 28 Hg~300 psi | | 2 |

NOTE: Vacuum Recovery Reel capacities based on using SAE 100 R4 hose or equivalent. Minimum bend radius is 8", max O.D. 1.500".

Available Options

Optional Roller Guides
See page 47



Inlet Hose Assemblies
See page 49



Replacement Bumpers
See page 49



Replacement Hoses
See page 50



Ultimate Duty Spring Retractable Reels

Air/Water/Oil/Grease - 1/2", 3/4", 1", 1 1/4", 1 1/2" I.D.

Series 9000 mobile base reels offer the greatest amount of stability for high volume air, water, diesel fuel and gasoline. Ideal for portable service trucks, permanent service or plant work areas. A durable baked-on powder coat finish produces a rugged corrosion resistant product suitable for a wide variety of heavy duty applications. Basic reels without hose will handle air, water or oil; consult Reelcraft for other applications.

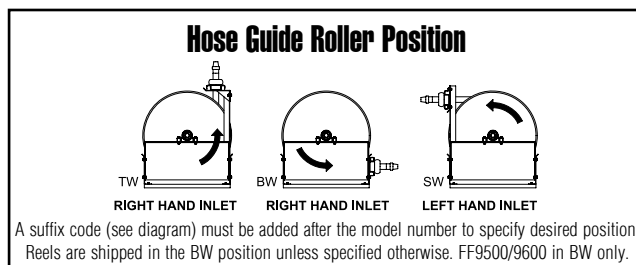
Made

in USA



D9350 OLPBW

| | Dimensions - Size Index | | | | | |
|----------|-------------------------|-----|--------|-----|--------|-----|
| | 1 | | 2 | | 3 | |
| | in | mm | in | mm | in | mm |
| A | 26 3/8 | 670 | 26 3/8 | 670 | 26 3/8 | 670 |
| B | 26 1/4 | 667 | 26 1/4 | 667 | 26 1/4 | 667 |
| C | 22 1/4 | 556 | 22 1/4 | 556 | 22 1/4 | 556 |
| D | 7 3/4 | 195 | 13 1/2 | 343 | 7 3/4 | 195 |
| E | 12 | 305 | 17 3/4 | 451 | 13 3/8 | 340 |
| F | 24 1/8 | 613 | 24 1/8 | 613 | 24 1/8 | 613 |
| G | 4 3/4 | 121 | 3 7/8 | 98 | 4 1/2 | 114 |



| Model with Hose | Shipping Weight | | Hose I.D. | | Hose O.D. | | Hose Length | | Pressure | (M)NPTF Hose Outlet | (F)NPTF Reel Inlet | Model without hose & bumper | Shipping Weight | | Pressure | Size Index # | | |
|--|-----------------|----|-----------|----|-----------|----|-------------|----|----------|---------------------|--------------------|-----------------------------|-----------------|-----|----------|--------------|-----|-----|
| | lbs | kg | in | mm | in | mm | ft | m | | | | | lbs | kg | | | psi | bar |
| Low Pressure Air/Water Reels Maximum Temperature 150 °F (65 °C) | | | | | | | | | | | | | | | | | | |
| D9275 OLP | 122 | 55 | 1/2 | 13 | .750 | 19 | 75 | 23 | 300 | 21 | 1/2 | 1/2 | D9200 OLP | 115 | 52 | 500 | 35 | 1 |
| D9299 OLP | 127 | 58 | 1/2 | 13 | .750 | 19 | 100 | 30 | 300 | 21 | 1/2 | 1/2 | D9200 OLP | 115 | 52 | 500 | 35 | 1 |
| D9350 OLP | 140 | 64 | 3/4 | 19 | 1.075 | 27 | 50 | 15 | 250 | 17 | 3/4 | 3/4 | D9300 OLP | 115 | 52 | 500 | 35 | 1 |
| D9375 OLP | 152 | 69 | 3/4 | 19 | 1.075 | 27 | 75 | 23 | 250 | 17 | 3/4 | 3/4 | D9300 OLP | 115 | 52 | 500 | 35 | 1 |
| D9399 OLPBW | 143 | 65 | 3/4 | 19 | 1.075 | 27 | 100 | 30 | 250 | 17 | 3/4 | 3/4 | D9305 OLPBW | 115 | 52 | 500 | 35 | 3 |
| D9450 OLP | 157 | 71 | 1 | 25 | 1.375 | 35 | 50 | 15 | 250 | 17 | 3/4 | 1 | D9400 OLP | 115 | 52 | 500 | 35 | 1 |
| D9465 OLPBW | 164 | 74 | 1 | 25 | 1.375 | 35 | 65 | 20 | 250 | 17 | 3/4 | 1 | D9405 OLPBW | 115 | 52 | 500 | 35 | 3 |
| Not available with hose | | | 1 1/4 | 32 | 1.750 | 44 | 50 | 15 | --- | --- | ----- | 1 1/2 | FF9500 OLPBW | 125 | 57 | 600 | 41 | 2 |
| Not available with hose | | | 1 1/2 | 38 | 2.000 | 51 | 50 | 15 | --- | --- | ----- | 1 1/2 | FF9600 OLPBW | 135 | 61 | 600 | 41 | 2 |
| Medium Pressure Oil Reels Maximum Temperature 210 °F (99 °C) | | | | | | | | | | | | | | | | | | |
| D9275 OMP | 131 | 59 | 1/2 | 13 | .820 | 21 | 75 | 23 | 3250 | 224 | 1/2 | 1/2 | D9200 OMP | 117 | 53 | 3250 | 224 | 1 |
| D9350 OMP | 142 | 64 | 3/4 | 19 | 1.188 | 30 | 50 | 15 | 1250 | 86 | 3/4 | 3/4 | D9300 OMP | 117 | 53 | 3000 | 207 | 1 |
| E9450 OMP | 160 | 73 | 1 | 25 | 1.480 | 38 | 50 | 15 | 3250 | 224 | 1 | 1 | E9400 OMP | 120 | 54 | 3250 | 224 | 1 |
| High Pressure Grease Reels Maximum Temperature 210 °F (99 °C) | | | | | | | | | | | | | | | | | | |
| D9175 OHP | 153 | 69 | 3/8 | 10 | .730 | 19 | 75 | 23 | 4800 | 331 | 3/8 | 1/2 | D9100 OHP | 118 | 54 | 5000 | 345 | 1 |

Low pressure reels furnished standard with PVC hose. Medium pressure reels are furnished standard with S.A.E. 100 R1T one wire braid hose. High pressure reels furnished standard with SAE 100 R2T two wire braid hose. For all metric thread connections over 1/2" add the suffix number 70 to indicate BSPT threads - example D9300 OLP70. FF9500 and FF9600 models will have BSPP threads. **Note: To specify our heavy duty model, change prefix from D to E. Not available on FF9500 or FF9600.** Modification: Reels without hose can be modified to handle gasoline and diesel fuel, to order place prefix "F" before model number - example (FD9300 OLP). Reference page 6 for guide arm positions.

Available Options

Optional Roller Guides
See page 47



Inlet Hose Assemblies
See page 49



Replacement Bumpers
See page 49



Replacement Hoses
See page 50



Large Frame Hose Reels | Nordic Series 3100 / 4800

Twin hose models are available as standard.



Nordic Series 4800

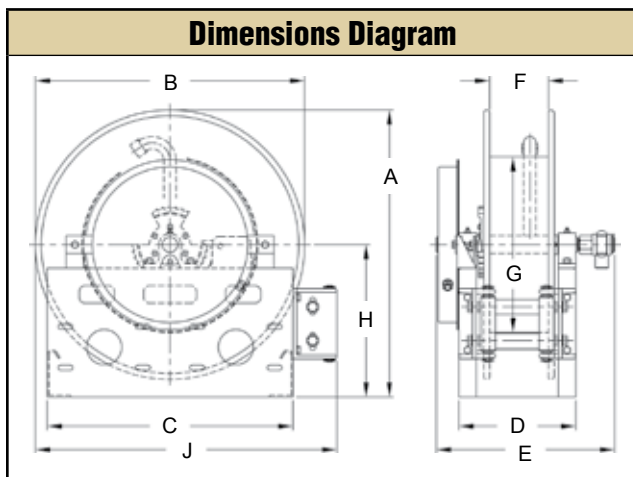
Spring Driven Large Frame Reels Nordic Series 3100 & 4800

1/2", 3/4", 1" or 1 1/2" Fluid Path for 1/2" through 2" I.D. Hose

Inlet: 1/2" up to 1" female/male NPT 90° swivel joint.

Gooseneck: 1/2" up to 1" female/male NPT. **Series 3100** reels handle hose from 1/4" through 1" I.D. **Series 4830** reels handle hose from 1/2" through 1" I.D. Inlet is 1/2" up to 1" female/male NPT 90° swivel joint. Gooseneck is 1/2" up to 1" female/male NPT. **Series 4800** reels handle hose from 1" through 1 1/2" I.D. 2" straight grooved fitting x 1 1/2" NPT female inlet is standard. Gooseneck is 1" to 1 1/2" female/male NPT.

Roller position: You must specify roller position BW, SW or TW. If roller position is not specified, reels will be shipped with rollers in position BW, see page 15.



Series 3100 / 4830 product temperatures from -50 °F to +225 °F and standard pressures to 3000 psi. **Series 4800** product temperatures from -50 °F to + 225 °F at standard pressures to 300 psi for 2" and 600 psi for 1 1/2" I.D. hose. Reels to operate at other temperatures or pressures can be furnished at extra cost. Consult manufacturer. The standard color for this series is red or gray.

Hose stop: A hose stop should be used to prevent damage to rollers and nozzles and to permit adjustment of free hose length. See description on page 49. Hose stops are available at extra cost.

Note: Other sizes and/or threads can be furnished for gooseneck when specified.

| Hose I.D. | in mm | 1/2 | 3/4 | 1 | 1 1/4 | 1 1/2 | Specification - Hose Capacity and Reel Dimensions *20" (508 mm) diameter drum on Model #4830-31-10 for 1/2" and 3/4" hose | | | | | | | | | | |
|------------|-------------|-----|--------|--------|---------|-------------|--|----|------|-----|-----|-------|------|-----|-------|------|------|
| | | 13 | 19 | 25 | 32 | 38 | | | | | | | | | | | |
| Hose O.D. | in mm | 7/8 | 1 9/32 | 1 9/16 | 1 13/16 | 2 1/16 | | | | | | | | | | | |
| | | 22 | 33 | 40 | 46 | 52 | | | | | | | | | | | |
| Model | Hose Length | | | | | Est. Weight | A | B | C | D | E | F | G | H | J | | |
| 3101-19-4 | ft | 30 | 25 | 15 | | | 90 LB | in | 22.5 | 19 | 21 | 9 | 15.5 | 4 | 11.25 | 13 | 25 |
| | m | 9 | 8 | 5 | | | 41 KG | mm | 572 | 483 | 533 | 229 | 394 | 102 | 286 | 330 | 635 |
| 3101-23-4 | ft | 60 | 40 | 25 | | | 93 LB | in | 24.5 | 23 | 21 | 9 | 15.5 | 4 | 11.25 | 13 | 26 |
| | m | 18 | 12 | 8 | | | 42 KG | mm | 622 | 584 | 533 | 229 | 394 | 102 | 286 | 330 | 660 |
| 3101-23-6 | ft | 100 | 65 | 60 | | | 95 LB | in | 24.5 | 23 | 21 | 11 | 17.5 | 6 | 11.25 | 13 | 26 |
| | m | 30 | 20 | 18 | | | 43 KG | mm | 622 | 584 | 533 | 279 | 445 | 152 | 286 | 330 | 660 |
| 3101-23-8 | ft | 100 | 65 | 60 | | | 97 LB | in | 24.5 | 23 | 21 | 13 | 19.5 | 8 | 11.25 | 13 | 26 |
| | m | 30 | 20 | 18 | | | 44 KG | mm | 622 | 584 | 533 | 330 | 495 | 203 | 286 | 330 | 660 |
| 4830-31-5X | ft | 75 | 75 | 65 | | | 122 LB | in | 33 | 31 | 30 | 10.44 | 17 | 5.5 | 20 | 17.5 | 34.5 |
| | m | 23 | 23 | 20 | | | 55 KG | mm | 838 | 787 | 762 | 265 | 432 | 140 | 508 | 445 | 876 |
| 4830-31-8 | ft | 80 | 80 | 90 | | | 125 LB | in | 33 | 31 | 30 | 13.44 | 19.5 | 8 | 15 | 17.5 | 34.5 |
| | m | 24 | 24 | 27 | | | 57 KG | mm | 838 | 787 | 762 | 341 | 495 | 203 | 381 | 445 | 876 |
| 4830-31-10 | ft | *90 | *100 | 100 | | | 128 LB | in | 33 | 31 | 30 | 15.44 | 21.5 | 10 | *15 | 17.5 | 34.5 |
| | m | *27 | *30 | 30 | | | 58 KG | mm | 838 | 787 | 762 | 392 | 546 | 254 | *381 | 445 | 876 |
| 4800-31-6 | ft | | | 70 | 50 | 40 | 122 LB | in | 33 | 31 | 30 | 11.44 | 17 | 6 | 11.25 | 17.5 | 34.5 |
| | m | | | 21 | 15 | 12 | 55 KG | mm | 838 | 787 | 762 | 291 | 432 | 152 | 286 | 445 | 876 |
| 4800-31-8 | ft | | | 75 | 75 | 50 | 125 LB | in | 33 | 31 | 30 | 13.44 | 19 | 8 | 11.25 | 17.5 | 34.5 |
| | m | | | 23 | 23 | 15 | 57 KG | mm | 838 | 787 | 762 | 341 | 483 | 203 | 286 | 445 | 876 |

Twin Hose, Spring Retractable Reels

Dual Hydraulic - 1/4", 3/8", 1/2" I.D.

Reelcraft's hydraulic reels are used for medium pressure dual hydraulic hose applications and are ideal for operating hydraulic cylinders, tools and equipment. High volume dual-body swivel for maximum product delivery (excluding the 80000). Series TH reels incorporate contemporary engineering and manufacturing techniques for trouble-free performance. Reels are all-steel construction and compact for applications with critical space requirements.

FEATURES

- ✓ Constant tension or pos-i-latch spool mechanism
- ✓ All-steel construction
- ✓ Reels have a durable, abrasion-resistant, baked-on powder coat finish
- ✓ Compact design for critical space requirements



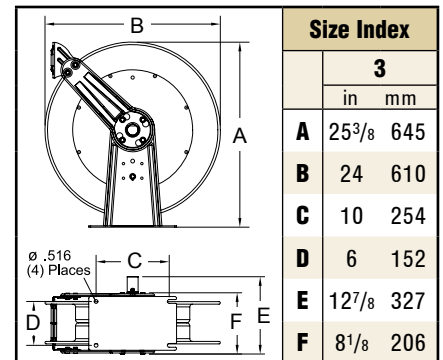
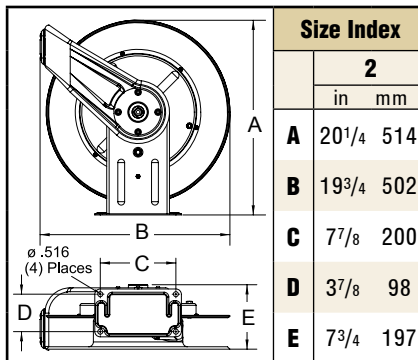
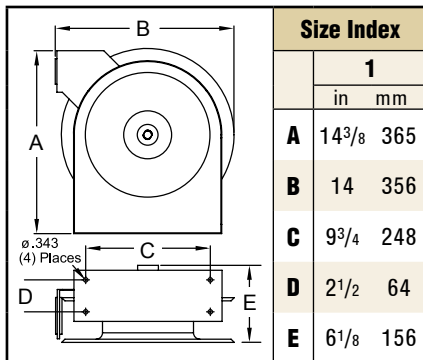
TH5425 OMP



TH7445 OMP

Applications

- Cranes
- Construction equipment
- Hydraulic tools
- Vehicle extraction tools
- Aerial device
- Hydraulic cylinders
- Tree cutters
- Digger derricks
- Railroad maintenance tools



| Model with Hose | Shipping Weight | | Hose I.D. | | Hose O.D. | | Hose Length | | Pressure | | (M)NPT Hose Outlet | (F)NPT Reel Inlet | Model without hose & bumper | Shipping Weight | | Pressure | | Size Index # |
|--|-----------------|----|-----------|----|-----------|----|-------------|----|----------|-----|--------------------|-------------------|-----------------------------|-----------------|----|----------|-----|--------------|
| | lbs | kg | in | mm | in | mm | ft | m | psi | bar | in | in | | lbs | kg | psi | bar | |
| Medium Pressure Hydraulic Hose Reels Maximum Temperature 210 °F (99 °C) | | | | | | | | | | | | | | | | | | |
| TH5425 OMP | 34 | 15 | 1/4 | 6 | .530 | 13 | 25 | 8 | 2000 | 138 | 1/4 | 1/4 | TH5400 OMP | 24 | 11 | 3000 | 207 | 1 |
| TH7445 OMP | 60 | 27 | 1/4 | 6 | .530 | 13 | 45 | 14 | 2000 | 138 | 1/4 | 1/4 | TH7400 OMP | 44 | 20 | 3000 | 207 | 2 |
| THA7630 OMP | 53 | 24 | 3/8 | 10 | .660 | 17 | 30 | 9 | 2000 | 138 | 3/8 | 3/8 | THA7600 OMP | 44 | 20 | 3000 | 207 | 2 |
| TH86050 OMP | 99 | 45 | 3/8 | 10 | .710 | 18 | 50 | 15 | 2000 | 138 | 3/8 | 3/8 | TH86000 OMP | 88 | 40 | 3000 | 207 | 3 |
| TH88050 OMP | 104 | 47 | 1/2 | 13 | .850 | 22 | 50 | 15 | 2000 | 138 | 1/2 | 1/2 | TH88000 OMP | 88 | 40 | 3000 | 207 | 3 |

Reference page 6 for guide arm positions.

Available Options

Mounting Brackets
See page 47



Inlet Hose Assemblies
See page 49



Replacement Bumpers
See page 49



Replacement Hoses
See page 50





FD83075 OLP

Spring Retractable Fuel Reels

F7000 - 3/4" I.D. / **FF9000** - 1 1/4", 1 1/2" I.D.

FE9000, FD9000 - 3/4", 1" I.D.

F80000, FD80000 - 3/4", 1" I.D.

FSD10000 - 3/4", 1" I.D.



Reelcraft's spring retractable fuel delivery reels, equipped with Viton seals, incorporate metal forms to insure the greatest possible strength and are ideal for mobile and permanent-mount applications. These rugged, corrosion-resistant reels are suitable for a wide variety of fuel applications including E85. Series F/FD/FE/FSD reels are all supplied with our ball-bearing style swivel.

| Model with Hose | Shipping Weight | | Hose I.D. | | Hose O.D. | | Hose Length | | Pressure | | (M)NPTF Hose Outlet | (F)NPTF Reel Inlet | Model without hose & bumper | Shipping Weight | | Pressure | | Size Index | Size Index # | |
|--|-----------------|----|-----------|----|-----------|----|-------------|----|----------|-----|---------------------|--------------------|-----------------------------|-----------------|-----|----------|-----|------------|--------------|------|
| | lbs | kg | in | mm | in | mm | ft | m | psi | bar | in | in | | lbs | kg | psi | bar | | | |
| Low Pressure Fuel Reels Maximum Temperature 150 °F (65 °C) w/hose / 210 °F (99 °C) w/o hose | | | | | | | | | | | | | | | | | | | | |
| F7925 OLP | 47 | 21 | 3/4 | 19 | 1.188 | 30 | 25 | 8 | *50 | 3 | 3/4 | 3/4 | F7900 OLP | | 45 | 20 | 500 | 35 | 10 | ---- |
| F83050 OLP | 89 | 40 | 3/4 | 19 | 1.188 | 30 | 50 | 15 | *50 | 3 | 3/4 | 3/4 | F83000 OLP | | 74 | 34 | 500 | 35 | 13 | 1 |
| FD83075 OLP | 115 | 52 | 3/4 | 19 | 1.188 | 30 | 75 | 23 | *50 | 3 | 3/4 | 3/4 | FD83000 OLP | | 82 | 37 | 500 | 35 | 13 | 2 |
| FD84035 OLP | 94 | 43 | 1 | 25 | 1.500 | 38 | 35 | 11 | *50 | 3 | 1 | 1 | FD84000 OLP | | 84 | 38 | 500 | 35 | 13 | 3 |
| FD84050 OLP | 115 | 52 | 1 | 25 | 1.500 | 38 | 50 | 15 | *50 | 3 | 1 | 1 | FD84000 OLP | | 84 | 38 | 500 | 35 | 13 | 3 |
| FE9350 OLP | 140 | 64 | 3/4 | 19 | 1.188 | 30 | 50 | 15 | *50 | 3 | 3/4 | 3/4 | FE9300 OLP | | 115 | 52 | 500 | 35 | 15 | 1 |
| FE9450 OLP | 157 | 71 | 1 | 25 | 1.500 | 38 | 50 | 15 | *50 | 3 | 1 | 1 | FE9400 OLP | | 115 | 52 | 500 | 35 | 15 | 1 |
| FD9350 OLP | 140 | 64 | 3/4 | 19 | 1.188 | 30 | 50 | 15 | *50 | 3 | 3/4 | 3/4 | FD9300 OLP | | 114 | 52 | 500 | 35 | 15 | 1 |
| FD9450 OLP | 157 | 71 | 1 | 25 | 1.500 | 38 | 50 | 15 | *50 | 3 | 1 | 1 | FD9400 OLP | | 113 | 51 | 500 | 35 | 15 | 1 |
| Not available with hose | | | 1 1/4 | 32 | 1.750 | 44 | 50 | 15 | -- | -- | 1 1/4 | 1 1/2 | FF9500 OLPBW | | 125 | 57 | 600 | 41 | 15 | 2 |
| Not available with hose | | | 1 1/2 | 38 | 2.000 | 51 | 50 | 15 | -- | -- | 1 1/2 | 1 1/2 | FF9600 OLPBW | | 135 | 61 | 600 | 41 | 15 | 2 |
| FSD13035 OLP | 102 | 46 | 3/4 | 19 | 1.188 | 30 | 35 | 11 | *50 | 3 | 3/4 | 1 | FSD13000 OLP | | 85 | 39 | 500 | 35 | 14 | 1 |
| FSD13050 OLP | 110 | 50 | 3/4 | 19 | 1.188 | 30 | 50 | 15 | *50 | 3 | 3/4 | 1 | FSD13000 OLP | | 85 | 39 | 500 | 35 | 14 | 1 |
| FSD14035 OLP | 105 | 48 | 1 | 25 | 1.500 | 38 | 35 | 11 | *50 | 3 | 1 | 1 | FSD14000 OLP | | 85 | 39 | 500 | 35 | 14 | 1 |
| FSD14050 OLP | 127 | 58 | 1 | 25 | 1.500 | 38 | 50 | 15 | *50 | 3 | 1 | 1 | FSD14005 OLP | | 92 | 42 | 500 | 35 | 14 | 2 |

*Models equipped with UL330 and ULC approved fuel grade hose. 250 psi minimum burst (17 Bar). For all metric thread connections 1" and under add the suffix number 70 to indicate BSPT threads, example FD80000 OLP70. For all metric threads above 1" add 118 for BSPP threads. FF Models supplied with 1 1/2" inlet. Flow rates of fuel hose are reduced by 30% with addition of internal spring type bend restrictors. For example, flow rate of F7925 OLP with internal bend restrictors is 9.0 GPM at 40 psi; flow without internal bend restrictors is 13.0 GPM at 40 psi. Reference page 6 for guide arm positions.

Static Discharge / Grounding Reels

Series G 3000

Static discharge reels are used to ground equipment operating in hazardous atmospheres. When properly clamped to ground, the static discharge reel dissipates static electrical buildup, reducing the chances of sparking and the potential for explosion.

| Model | Cable Extended | | Clamp Rating | Max Temp | | Cable Notes | Shipping Weight | |
|-----------|----------------|----|--------------|----------|----|--|-----------------|----|
| | ft | m | | °F | °C | | lbs | kg |
| G 3050 | 50 | 15 | 100 AMP | 150 | 66 | Single 7 x 7 stranded steel* | 12 | 5 |
| G 3050 Y | 50 | 15 | 100 AMP | 150 | 66 | 35' (9.2m) plus dual 15' (4.6m) for Y* Total extension 50' (15m) | 12 | 5 |
| G 3050 N | 50 | 15 | 100 AMP | 150 | 66 | Nylon covered cable** | 12 | 5 |
| GA3100 N | 100 | 30 | 100 AMP | 125 | 52 | Hi-vis orange nylon covered cable** | 16 | 7 |
| GHC3100 N | 100 | 30 | 100 AMP | 125 | 52 | Hi-vis orange nylon covered cable** | 12 | 5 |

*3/32" OD steel aircraft cable. DC resistance is approximately one ohm per 50 ft. of steel cable. **Nylon covered cable (1/8" O.D.). Refer to reelcraft.com for dimensions.



GA3100 N

G 3050

NEW!
GHC3100 N

Stainless Steel Spring Retractable Reels

Air/Water/Oil - 3/8", 1/2", 3/4", 1" I.D.

Reelcraft's stainless steel hose reels are ideal for food processing, pre-rinse, wash down, chemical transfer and industrial-solvent handling. Also suitable for coastal, offshore and on-board ship in marine applications where the harsh environment of salt water spray requires the use of stainless steel hose reels. Swivels include Viton® O-rings.

Note: Standard latch parts are made from aluminium. Series 80000 and D80000 stainless reels have an aluminum fluid path. Stainless latch parts and fluid path are available as a standard option by placing a -S at the end. Example: OLS-S.



Series 7000

General Use

Many versatile applications in corrosive or sanitary environments



Series D9000

Ultra Heavy Duty

Heavy duty dual pedestal for maximum strength

FEATURES

- ✓ Full-flow stainless steel shaft and swivel assures maximum product delivery. **Exception:** Series 80000 - only on OLS-S models.
- ✓ Heavy duty brackets eliminate bending due to angular hose pull.
- ✓ Banded drive spring gives smooth automatic hose retrieval.
- ✓ Multi-position guide arm permits wall, floor, ceiling, pit or truck mounting.
- ✓ Nylon guide rollers reduce hose drag and abrasion.
- ✓ Pos-i-latch will maintain the desired working length of hose. Mechanism assures a positive latch of the hose.
- ✓ Series 7000 offers weatherproof gasketed spring motor, assures maximum service life.
- ✓ Vibration-proof self-locking fasteners assures assembly integrity.
- ✓ 304L grade of stainless steel.

| Model without hose & bumper | Shipping Weight | | Hose I.D. | | Hose O.D. | | Hose Length | | Pressure | | (F)NPTF Outlet | (F)NPTF Inlet | Size Index Page | Size Index # |
|---|-----------------|----|-----------|----|-----------|----|-------------|----|----------|-----|----------------|---------------|-----------------|--------------|
| | lbs | kg | in | mm | in | mm | ft | m | psi | bar | in | in | | |
| Low and Medium Pressure Reels Maximum Temperature 210 °F (99 °C) | | | | | | | | | | | | | | |
| CA 5600 OLS | 22 | 10 | 3/8 | 10 | .600 | 15 | 35 | 11 | 500 | 35 | 3/8 | 3/8 | 9 | 2 |
| 5600 OMS | 24 | 11 | 3/8 | 10 | .710 | 18 | 30 | 9 | 3000 | 207 | 3/8 | 3/8 | 9 | 2 |
| OS 7800 OLS | 41 | 19 | 1/2 | 13 | .750 | 19 | 50 | 15 | 500 | 35 | 1/2 | 1/2 | 10 | ---- |
| 7600 OMS55 | 42 | 19 | 3/8 | 10 | .710 | 18 | 66 | 20 | 3000 | 207 | 3/8 | 3/8 | 10 | ---- |
| CA 7800 OMS | 43 | 20 | 1/2 | 13 | .850 | 22 | 50 | 15 | 3000 | 207 | 1/2 | 1/2 | 10 | ---- |
| 82000 OLS | 81 | 37 | 1/2 | 13 | .750 | 19 | 100 | 30 | 500 | 35 | 1/2 | 1/2 | 13 | 1 |
| 82000 OMS | 83 | 38 | 1/2 | 13 | .850 | 22 | 75 | 23 | 1500 | 104 | 1/2 | 1/2 | 13 | 1 |
| 83000 OLS | 81 | 37 | 3/4 | 19 | 1.188 | 30 | 50 | 15 | 500 | 35 | 3/4 | 3/4 | 13 | 1 |
| 83000 OMS | 83 | 38 | 3/4 | 19 | 1.188 | 30 | 50 | 15 | 1250 | 86 | 3/4 | 3/4 | 13 | 1 |
| D83000 OLS | 84 | 38 | 3/4 | 19 | 1.188 | 30 | 75 | 23 | 500 | 35 | 3/4 | 3/4 | 13 | 2 |
| D84000 OLS | 92 | 42 | 1 | 25 | 1.375 | 35 | 50 | 15 | 500 | 35 | 1 | 1 | 13 | 3 |
| D9200 OLS | 115 | 52 | 1/2 | 13 | .750 | 19 | 100 | 30 | 500 | 35 | 1/2 | 1/2 | 15 | 1 |
| D9300 OLS | 116 | 53 | 3/4 | 19 | 1.188 | 30 | 75 | 23 | 500 | 35 | 3/4 | 3/4 | 15 | 1 |
| D9400 OLS | 117 | 53 | 1 | 25 | 1.375 | 35 | 50 | 15 | 500 | 35 | 1 | 1 | 15 | 1 |
| D9200 OMS | 118 | 54 | 1/2 | 13 | .850 | 22 | 75 | 23 | 3000 | 207 | 1/2 | 1/2 | 15 | 1 |
| D9300 OMS | 118 | 54 | 3/4 | 19 | 1.188 | 30 | 50 | 15 | 3000 | 207 | 3/4 | 3/4 | 15 | 1 |

For all metric thread connections over 1/2" add the suffix number 70 to indicate BSPT threads - example D83000 OLS70. Reference page 6 for guide arm positions.

| Model without Hose & bumper | Shipping Weight | | Pressure | | (F)NPTF Outlet | (F)NPTF Inlet | I.D. | 1/4 | 6 | 3/8 | 10 | 1/2 | 13 | 3/4 | 19 | 1 | 25 | Size Index # | |
|--|-----------------|----|----------|-----|----------------|---------------|-------------|------|-----|------|-----|------|-----|-------|-----|-------|-----|--------------|------------------------|
| | lbs | kg | psi | bar | in | in | O.D. | .530 | 13 | .710 | 18 | .850 | 22 | 1.188 | 30 | 1.375 | 35 | (see pg. 24) | |
| Manual Crank Medium Pressure Reels Maximum Temperature 210 °F (99 °C) | | | | | | | | | | | | | | | | | | | |
| CA HS18000 M | 36 | 16 | 3000 | 207 | 1/2 | 1/2 | Hose Length | 425 | 130 | 300 | 91 | 200 | 61 | --- | --- | --- | --- | 1 | |
| HS28000 M | 35 | 16 | 3000 | 207 | 1/2 | 1/2 | | 625 | 191 | 450 | 137 | 300 | 91 | --- | --- | --- | --- | 2 | |
| HS19000 M | 38 | 17 | 3000 | 207 | 3/4 | 3/4 | | 425 | 130 | 300 | 91 | 200 | 61 | 75 | 23 | --- | --- | 1 | |
| HS29000 M | 36 | 16 | 3000 | 207 | 3/4 | 3/4 | | 625 | 191 | 450 | 137 | 300 | 91 | 125 | 38 | --- | --- | 2 | |
| HS37000 L | 47 | 21 | 500 | 35 | 1" (M)NPTF | 1 | --- | --- | --- | --- | --- | --- | --- | --- | --- | --- | 100 | 30 | refer to reelcraft.com |

Applications

- Restaurants
- Dairies
- Marinas
- Pharmaceutical
- Food processing
- Ships

Available Options

Mounting Brackets
See page 47



Inlet Hose Assemblies
See page 49

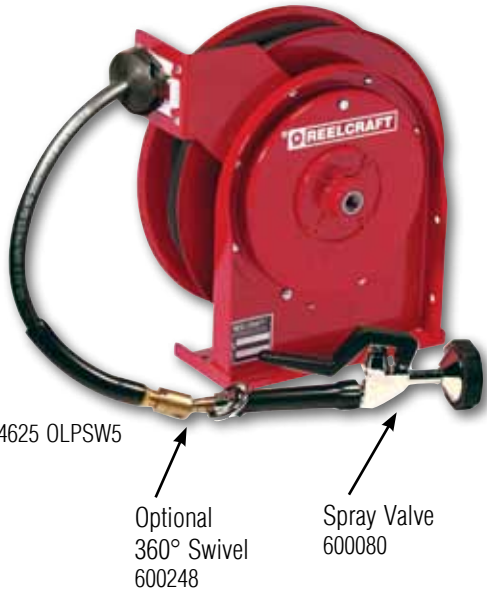


Replacement Bumpers
See page 49



Replacement Hoses
See page 50





4625 OLPSW5

Optional 360° Swivel 600248

Spray Valve 600080



A5835 OLBSW23

Made in USA 

Spring Retractable Pre-Rinse Reels - 3/8" I.D.

Engineered for use in highly corrosive environments such as restaurants, institutions, and home and garden applications. Reelcraft's pre-rinse reels include a standard lever-operated spray valve. Available in stainless or powder-coat finish. Rated for hot water up to 210 °F (99 °C).

Hot water washdown and food prep

Commercial use, restaurants, schools, home/garden and more

Spring Retractable Potable (Drinking) Water Reel - 1/2" I.D.

Designed for potable water systems, the A5835 OLBSW23 is suitable for use as a drinking water system component. Fluid path is stainless steel and CPVC material.

Drinking Water

Boats, RVs, buses and much more

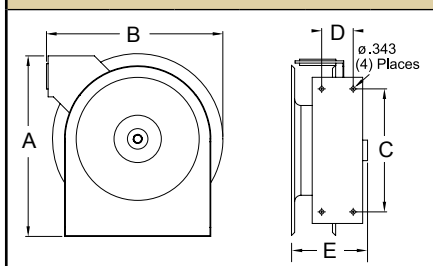
PRE-RINSE REEL FEATURES

- ✓ Lever-operated spray valve is included
- ✓ Optional 360° rotating swivel (600248) offers 20° of angular motion
- ✓ Push-Lok, field replaceable, hose-end fittings
- ✓ Reels can be mounted on the wall, ceiling, or under a counter, making water conveniently available
- ✓ Latching mechanism holds hose at desired length

POTABLE WATER REEL FEATURES

- ✓ Stainless steel, full flow shaft and PVC swivel
- ✓ Convenient fast hook-up and disconnect
- ✓ Drain and standard female garden hose outlet fitting are standard
- ✓ Maximum operating temperature 86 °F (30 °C)

Dimensions - Size Index



| | 1 | | 2 | | 3 | |
|----------|--------------------------------|-----|--------------------------------|-----|--------------------------------|-----|
| | in | mm | in | mm | in | mm |
| A | 12 ⁷ / ₈ | 327 | 14 ³ / ₈ | 365 | 15 | 381 |
| B | 12 ³ / ₈ | 314 | 14 | 356 | 16 ¹ / ₄ | 413 |
| C | 8 | 203 | 9 ³ / ₄ | 248 | 9 ³ / ₄ | 248 |
| D | 2 ¹ / ₂ | 64 | 2 ¹ / ₂ | 64 | 2 ¹ / ₂ | 64 |
| E | 5 ⁵ / ₈ | 143 | 6 ¹ / ₈ | 156 | 7 | 178 |

| Model with Hose | Shipping Weight | | Hose I.D. | | Hose O.D. | | Hose Length | | Pressure | (F)NPTF Reel Inlet | Size Index # | |
|---|-----------------|----|-----------|----|-----------|----|-------------|----|----------|--------------------|--------------|---|
| | lbs | kg | in | mm | in | mm | ft | m | psi | bar | in | |
| Pre-Rinse Hose Reels | | | | | | | | | | | | |
| 4625 OLPSW5 | 22 | 10 | 3/8 | 10 | .640 | 16 | 25 | 8 | 250 | 17 | 3/8 | 1 |
| 5635 OLPSW5 | 27 | 12 | 3/8 | 10 | .640 | 16 | 35 | 11 | 250 | 17 | 3/8 | 2 |
| 5635 ELPSW5 | 37 | 17 | 3/8 | 10 | .640 | 16 | 35 | 11 | 250 | 17 | 3/8 | 3 |
| Pre-Rinse Stainless Steel Hose Reels | | | | | | | | | | | | |
| 5635 OLSSW5 | 28 | 13 | 3/8 | 10 | .640 | 16 | 35 | 11 | 250 | 17 | 3/8 | 2 |
| 5635 ELSSW5 | 38 | 17 | 3/8 | 10 | .640 | 16 | 35 | 11 | 250 | 17 | 3/8 | 3 |
| Potable (Drinking) Water Hose Reels Garden hose fitting 3/4" N/H threads (F) | | | | | | | | | | | | |
| A5835 OLBSW23* | 28 | 13 | 1/2 | 13 | .781 | 20 | 35 | 11 | 150 | 10 | 1/2 male | 2 |

*Maximum operating temperature is 86 °F (30 °C). Reference page 6 for guide arm positions.

Available Options

Mounting Brackets
See page 47



Inlet Hose Assemblies
See page 49



Replacement Bumpers
See page 49



Call customer service for special hoses



Spring Retractable Composite Reels

Air/Water/Chemical Delivery/Welding - 3/8", 1/2" I.D.

Series S reels are economical, lighter weight, easy to handle and meet the demands of a medium-duty industrial grade reel for continuous operation. Made of corrosion-proof, tough polypropylene, extensive tests have shown it to be highly resistant to the vast majority of acids, alkalis and UV rays. The design protects the hose and allows easy cleaning of both hose and reel. Wall, ceiling or floor mount.

A unique combination of composites and metals

The tough composite polypropylene outer case houses solid brass swivel and fluid path, a steel main shaft and high quality spring steel motor.

Corrosion-resistant, durable

The tough composite polypropylene outer case is UV stabilized and resistant to most acids and alkalis with excellent impact resistance. Suitable for general applications and environments where corrosion is an issue.

Positive latching system

The design of the latching system ensures positive latching in any mounting position.

Unique mounting

The bracket system supplied with the reel allows mounting in any position with the advantage of the swivel feature.

Lighter weight

Pound for pound the Series S offers distinct weight advantages due to the composite case construction.

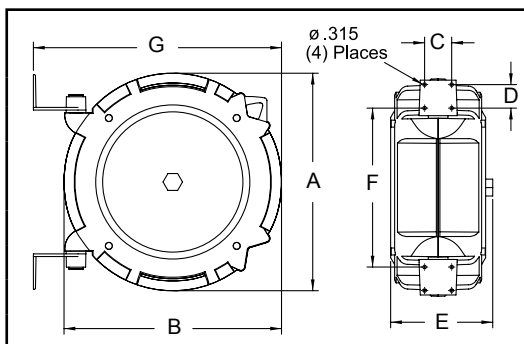


Arbor Farms Nursery, Fort Wayne, Indiana



SGA3650 OLP

Series S reels are made in Australia.



| | Dimensions | |
|----------|--------------------------------|-----|
| | S Series | |
| | in | mm |
| A | 19 ³ / ₈ | 492 |
| B | 19 ¹ / ₄ | 489 |
| C | 2 ¹ / ₂ | 64 |
| D | 2 ¹ / ₈ | 54 |
| E | 9 ¹ / ₈ | 232 |
| F | 14 ¹ / ₈ | 359 |
| G | 22 | 559 |

Applications

- ✓ Combination air/water
- ✓ Water service
- ✓ Hot water wash
- ✓ Chemical delivery
- ✓ Oxygen acetylene

| Model with Hose | Shipping Weight | | Hose I.D. | | Hose O.D. | | Hose Length | | Pressure | | (M)NPTF Hose Outlet | (F)NPTF Reel Inlet |
|--|-----------------|----|-----------|----|-----------|----|-------------|----|----------|-----|---------------------|--------------------|
| | lbs | kg | in | mm | in | mm | ft | m | psi | bar | in | in |
| Air* & Water* Hose Reels Working Temperature 150 °F (65 °C) | | | | | | | | | | | | |
| SGA3650 OLP | 21 | 10 | 3/8 | 10 | .621 | 16 | 50 | 15 | 232 | 16 | 3/8 | 3/8 |
| SGA3665 OLP | 25 | 11 | 3/8 | 10 | .621 | 16 | 65 | 20 | 232 | 16 | 3/8 | 3/8 |
| SGA3850 OLP | 23 | 10 | 1/2 | 13 | .781 | 20 | 50 | 15 | 232 | 16 | 1/2 | 1/2 |
| Water Hose Reel Garden-style hose end. Working Temperature 150 °F (65 °C) | | | | | | | | | | | | |
| SWA3850 OLP | 23 | 10 | 5/8 | 16 | .750 | 19 | 50 | 15 | 125 | 9 | 3/4 NH | 1/2 |
| Hot Water Wash Reel Working Temperature 185 °F (85 °C). Working pressure is related to working temperature. | | | | | | | | | | | | |
| SHA3850 OLP | 22 | 10 | 1/2 | 13 | .781 | 20 | 50 | 15 | 232 | 16 | 1/2 | 1/2 |
| Chemical Delivery Hose Reel Working Temperature 140 °F (60 °C) | | | | | | | | | | | | |
| SCA3850 OLP | 22 | 10 | 1/2 | 13 | .781 | 20 | 50 | 15 | 232 | 16 | 1/2 | 1/2 |
| Oxygen/Acetylene Hose Reel Working Temperature 150 °F (65 °C) | | | | | | | | | | | | |
| STW3450 OLP | 27 | 12 | 1/4 | 6 | .530 | 13 | 50 | 15 | 300 | 21 | 9/16" 18(F) LH-RH | 9/16" 18(F) LH-RH |

STW3450 OLP E dimension = 11.25" / 286 mm. *Air hose can be used for water on these models.

Suitable for all position mounting.

Available Options

Inlet Hose Assemblies
See page 49



Replacement Bumpers
See page 49



Replacement Hoses
See page 50



Spring driven

Pressure up to 5000 psi and up to 100 feet of hose

PW7650 OHP



Spring Retractable, Hand Crank, Motor Driven

Air/Water - 1/4", 3/8", 1/2" I.D.

Compact design and quality steel construction are incorporated into Reelcraft's full line of pressure wash reels, rated up to 5000 psi. Series PW, H18006 and 30000 reels are able to carry 50 to 425 feet of tangle-free hose and are complete with a high pressure water swivel for maximum product delivery. The high pressure water swivel is designed to handle a broad range of pressures, temperatures and chemicals; perfect for agricultural/marine, equipment cleaning and pressure washing applications.



CA38106 M

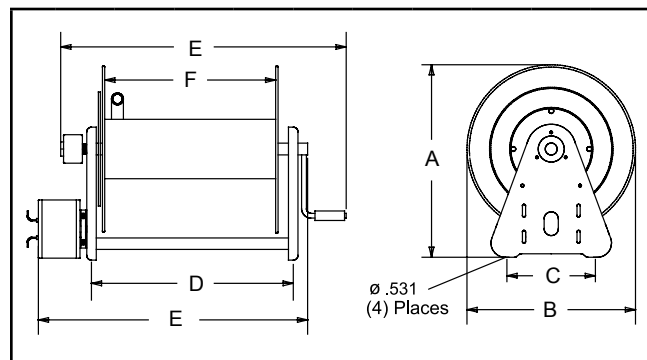
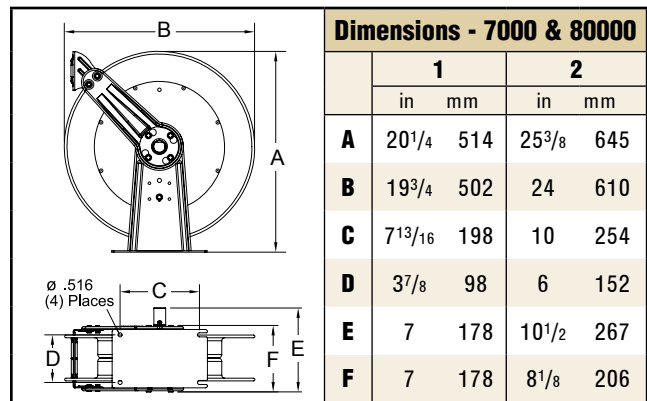
Applications

- Agricultural
- Marine
- Equipment cleaning
- Pressure washing
- Much more

Hand crank

Pressure up to 5000 psi and up to 425 feet of hose

Made in USA



| Dimensions - Series H & 30000 | | | | | | | | | | |
|-------------------------------|--------------------------------|-----|--------------------------------|-----|--------------------------------|-----|--------------------------------|-----|--------------------------------|-----|
| | 3 | | 4 | | 5 | | 6 | | 7 | |
| | in | mm | in | mm | in | mm | in | mm | in | mm |
| A | 20 ¹ / ₈ | 413 | 20 ¹ / ₄ | 514 | 20 ¹ / ₄ | 514 | 20 ¹ / ₄ | 514 | 20 ¹ / ₄ | 514 |
| B | 17 ³ / ₄ | 425 | 17 ³ / ₄ | 425 | 17 ³ / ₄ | 425 | 17 ³ / ₄ | 425 | 17 ³ / ₄ | 425 |
| C | 10 | 254 | 9 | 229 | 9 | 229 | 9 | 229 | 9 | 229 |
| D | 6 ³ / ₈ | 162 | 9 ³ / ₄ | 248 | 15 ³ / ₄ | 400 | 9 ³ / ₄ | 248 | 15 ³ / ₄ | 400 |
| E | 13 ³ / ₄ | 349 | 19 ³ / ₄ | 502 | 25 ³ / ₄ | 654 | 17 ⁷ / ₈ | 454 | 23 ⁷ / ₈ | 606 |
| F | 5 | 127 | 6 | 152 | 12 | 305 | 6 | 152 | 12 | 305 |

"B" is overall length.

| | in | | mm | | in | | mm | | Shipping Weight | Size Index # |
|--|-----------------------------|-----|------|----|------|-----|----|----|-----------------|--------------|
| | in | mm | in | mm | in | mm | in | mm | | |
| Hose I.D. | 1/4 | 6 | 3/8 | 10 | 1/2 | 13 | | | | |
| Hose O.D. | .530 | 13 | .730 | 19 | .850 | 22 | | | | |
| Model without hose & bumper | Hose Length | | | | | | | | | |
| | ft | | m | | ft | | m | | lbs | kg |
| Spring Driven | Pressure 5000 psi / 345 bar | | | | | | | | | |
| PW7600 OHP | --- | --- | 50 | 15 | --- | --- | 43 | 20 | 1 | |
| PW7650 OHP* | --- | --- | 50 | 15 | --- | --- | 60 | 27 | 1 | |
| PW81000 OHP | --- | --- | 100 | 30 | --- | --- | 86 | 39 | 2 | |
| Hand Crank | Pressure 5000 psi / 345 bar | | | | | | | | | |
| H18006 M | 150 | 46 | 100 | 30 | --- | --- | 31 | 14 | 3 | |
| CA38106 M | 200 | 61 | 140 | 43 | 100 | 30 | 41 | 19 | 4 | |
| CA38112 M | 425 | 130 | 300 | 91 | 200 | 61 | 46 | 21 | 5 | |
| Electric Motor Driven | Pressure 5000 psi / 345 bar | | | | | | | | | |
| EA38106 M12D | 200 | 61 | 140 | 43 | 100 | 30 | 63 | 29 | 6 | |
| EA38112 M12D | 425 | 130 | 300 | 91 | 200 | 61 | 71 | 32 | 7 | |

*Hose included - max temperature 212 °F (100 °C); Max temperature for models without hose 400 °F (200 °C). PSI rating based upon 2.4 to 1 safety factor. Reference page 6 for guide arm positions.

Available Options

Mounting Brackets
See page 47



Inlet Hose Assemblies
See page 49



Replacement Bumpers
See page 49



Call customer service for special hoses



Light Industrial Hand Crank Hose Reels

Reelcraft's Series C hose reels are designed for lighter-duty applications that require longer lengths of hose. Hand crank with a balanced brass swivel and brass inlet, the Series C is the product of lighter weight components and forward-thinking design. Reels in this family benefit from a tough, corrosion-resistant powder coat paint. All reels feature a drag break to prevent de-spooling when reel is not in use. The Series C is an economical choice for storing and retrieving hose.

Series CU Air/Water - 3/8", 1/2" I.D.

Series CU features our most rigid base design in this series and supports the reel on either side.

Series CT Air/Water/Pressure Wash - 3/8", 1/2" I.D.

The Series CT frame features a tubular design. The inlet is fed through the center of the tube frame, protecting the inlet hose and creating a cleaner look over all.

Series CM Pressure Wash - 3/8" I.D.

Series CM reels offer the greatest amount of flexibility in this series by featuring a modular mounting platform. Reelcraft can configure custom mounts upon request or the customer may choose to supply their own.



CU6050LN

CT6100HN

| Dimensions - Series CT | | | | | |
|------------------------|--------------------------------|-----|--------------------------------|-----|--|
| | 5 | | 6 | | |
| | in | mm | in | mm | |
| A | 15 ⁵ / ₈ | 397 | 15 ⁵ / ₈ | 397 | |
| B | 13 ¹ / ₄ | 337 | 13 ¹ / ₄ | 337 | |
| C | 3 ¹ / ₂ | 89 | 3 ¹ / ₂ | 89 | |
| D | 4 ¹ / ₄ | 108 | 4 ¹ / ₄ | 108 | |
| E | 15 ¹ / ₂ | 394 | 19 ¹ / ₂ | 495 | |
| F | 6 | 152 | 6 | 152 | |

NEW!

CM6050HN



| Dimensions - Series CU | | | | | | | | | |
|------------------------|--------------------------------|-----|--------------------------------|-----|--------------------------------|-----|--------------------------------|-----|--|
| | 1 | | 2 | | 3 | | 4 | | |
| | in | mm | in | mm | in | mm | in | mm | |
| A | 11 ¹ / ₂ | 292 | 11 ¹ / ₂ | 292 | 14 ³ / ₈ | 365 | 14 ³ / ₈ | 365 | |
| B | 10 ¹ / ₂ | 267 | 10 ¹ / ₂ | 267 | 13 ¹ / ₄ | 337 | 13 ¹ / ₄ | 337 | |
| C | 2 | 51 | 2 | 51 | 2 ³ / ₈ | 60 | 2 ³ / ₈ | 60 | |
| D | 6 ⁵ / ₈ | 168 | 11 ¹ / ₈ | 283 | 6 ¹ / ₄ | 159 | 10 ¹ / ₄ | 260 | |
| E | 16 ³ / ₄ | 425 | 21 ¹ / ₈ | 537 | 16 ³ / ₄ | 425 | 20 ⁷ / ₈ | 530 | |
| F | 4 | 102 | 4 | 102 | 6 | 152 | 6 | 152 | |
| G | 9 ³ / ₈ | 238 | 13 ⁷ / ₈ | 352 | 9 ¹ / ₄ | 235 | 13 ¹ / ₄ | 337 | |
| H | 3 ³ / ₈ | 86 | 3 ³ / ₈ | 86 | 4 | 102 | 4 | 102 | |

| Model w/o hose & bumper | Shipping Weight | | Hose I.D. | | Hose O.D. | | Hose Length | | Pressure | (F)NPTF Reel Outlet | (F)NPTF Reel Inlet | Size Index # | |
|--|-----------------|-----|-----------|----|-----------|----|-------------|----|----------|---------------------|--------------------|--------------|---|
| | lbs | kg | in | mm | in | mm | ft | m | | | | | |
| Low Pressure Air/Water Reels Maximum temperature 150 °F (65 °C) | | | | | | | | | | | | | |
| OSI CU6050LN | 12 | 5 | 3/8 | 10 | .600 | 15 | 50 | 15 | 300 | 21 | 3/8 | 3/8 | 1 |
| INI CU6100LN | 16 | 7 | 3/8 | 10 | .600 | 15 | 100 | 30 | 300 | 21 | 3/8 | 3/8 | 2 |
| INI CU8050LN | 13 | 6 | 1/2 | 13 | .750 | 19 | 50 | 15 | 300 | 21 | 1/2 | 1/2 | 3 |
| INI CU8100LN | 20 | 9 | 1/2 | 13 | .750 | 19 | 100 | 30 | 300 | 21 | 1/2 | 1/2 | 4 |
| INI CT6050LN | 13 | 6 | 3/8 | 10 | .600 | 15 | 50 | 15 | 300 | 21 | 1/2 | 1/2 | 5 |
| INI CT6100LN | 17 | 7.5 | 3/8 | 10 | .600 | 15 | 100 | 30 | 300 | 21 | 1/2 | 1/2 | 6 |
| INI CT8050LN | 13 | 6 | 1/2 | 13 | .750 | 19 | 50 | 15 | 300 | 21 | 1/2 | 1/2 | 5 |
| INI CT8100LN | 17 | 7.5 | 1/2 | 13 | .750 | 19 | 100 | 30 | 300 | 21 | 1/2 | 1/2 | 6 |
| High Pressure Wash Reels Maximum temperature 210 °F (99 °C) | | | | | | | | | | | | | |
| INI CT6050HN | 13 | 6 | 3/8 | 10 | .730 | 19 | 50 | 15 | 5000 | 345 | 3/8 | 1/2 | 5 |
| INI CT6100HN | 17 | 7.5 | 3/8 | 10 | .730 | 19 | 100 | 30 | 5000 | 345 | 3/8 | 1/2 | 6 |
| INI CM6050HN | 14 | 6.5 | 3/8 | 10 | .730 | 19 | 50 | 15 | 5000 | 345 | 3/8 | 1/2 (M) | 7 |
| INI CM6100HN | 18 | 8 | 3/8 | 10 | .730 | 19 | 100 | 30 | 5000 | 345 | 3/8 | 1/2 (M) | 8 |

Reels are supplied without hose; assemblies will be quoted upon request.

| Dimensions - Series CM | | | | | |
|------------------------|--------------------------------|-----|--------------------------------|-----|--|
| | 7 | | 8 | | |
| | in | mm | in | mm | |
| A | 13 ¹ / ₄ | 337 | 13 ¹ / ₄ | 337 | |
| B | 14 ³ / ₈ | 365 | 18 ³ / ₈ | 467 | |
| C | 2 ¹ / ₂ | 64 | 2 ¹ / ₂ | 64 | |
| D | 3 ¹ / ₂ | 89 | 3 ¹ / ₂ | 89 | |
| E | 16 ³ / ₈ | 416 | 20 ¹ / ₂ | 521 | |
| F | 6 | 152 | 6 | 152 | |

Medium Duty Hand Crank Reels

Series H - Air/Water/Oil/Grease - 3/8", 1/2", 3/4" I.D.

Series H is an economical reel designed for medium duty applications requiring long lengths of hose. It is equally suited for plant or field use such as turf care, pest control, steam cleaning and more. Shipped completely assembled, ready to install.

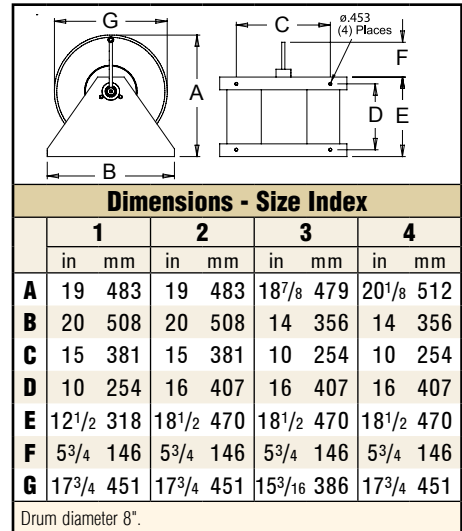
Made in USA 

Medium duty
H16000

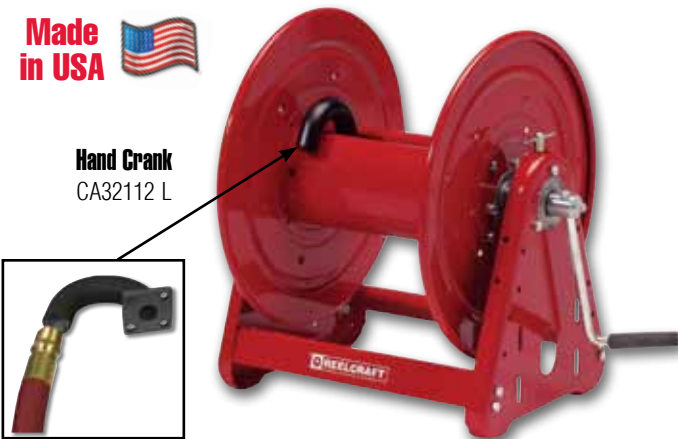


| Model without hose & bumper | Shipping Weight | | Hose I.D. | | Hose O.D. | | Hose Length | | Pressure | | (F)NPTF Reel Outlet | (F)NPTF Reel Inlet | Size Index # |
|---|-----------------|----|-----------|----|-----------|----|-------------|----|----------|-----|---------------------|--------------------|--------------|
| | lbs | kg | in | mm | in | mm | ft | m | psi | bar | in | in | |
| Low Pressure Air/Water Hose Reels Max temperature 150 °F (65 °C) | | | | | | | | | | | | | |
| H16000 | 32 | 15 | 3/8 | 10 | .600 | 15 | 300 | 91 | 500 | 35 | 1/4 | 3/8 | 1 |
| H18000 | 34 | 15 | 1/2 | 13 | .750 | 19 | 200 | 61 | 1000 | 69 | 1/2 | 1/2 | 1 |
| H28005 | 34 | 15 | 1/2 | 13 | .750 | 19 | 300 | 91 | 1000 | 69 | 1/2 | 1/2 | 4 |
| H28000 | 37 | 17 | 1/2 | 13 | .750 | 19 | 300 | 91 | 1000 | 69 | 1/2 | 1/2 | 2 |
| H19000 | 33 | 15 | 3/4 | 19 | 1.075 | 27 | 90 | 27 | 1000 | 69 | 3/4 | 3/4 | 1 |
| H29005 | 36 | 16 | 3/4 | 19 | 1.075 | 27 | 100 | 30 | 1000 | 69 | 3/4 | 3/4 | 3 |
| H29000 | 41 | 19 | 3/4 | 19 | 1.075 | 27 | 150 | 46 | 1000 | 69 | 3/4 | 3/4 | 2 |
| Medium Pressure Oil Hose Reels Max temperature 210 °F (99 °C) | | | | | | | | | | | | | |
| H16000 M | 32 | 15 | 3/8 | 10 | .710 | 18 | 300 | 91 | 3000 | 207 | 3/8 | 3/8 | 1 |
| H18000 M | 34 | 15 | 1/2 | 13 | .850 | 22 | 200 | 61 | 3000 | 207 | 1/2 | 1/2 | 1 |
| H19000 M | 38 | 17 | 3/4 | 19 | 1.188 | 30 | 90 | 27 | 3000 | 207 | 3/4 | 3/4 | 1 |
| H29000 M | 35 | 16 | 3/4 | 19 | 1.188 | 30 | 150 | 46 | 3000 | 207 | 3/4 | 3/4 | 2 |
| High Pressure Grease Hose Reels Max temperature 210 °F (99 °C) | | | | | | | | | | | | | |
| H16000 H | 35 | 16 | 3/8 | 10 | .730 | 19 | 250 | 76 | 5000 | 345 | 3/8 | 3/8 | 1 |

Reels are supplied without hose; assemblies will be quoted upon request. **CAUTION:** To prevent drum damage fully extend and pressurize hose and rewind on the reel. Stainless models available, see page 19.



Made in USA 



Heavy Duty Hand Crank and Motor Driven Reels

Series 30000 - Air/Water/Oil - 1/4", 1/2", 3/4", 1" I.D.

Reelcraft's Series 30000 reels are designed for rugged, heavy duty applications requiring long lengths of hose and large storage capacity. All-bolted unitized construction with no welds to fatigue, full flow swivel and heavy gauge steel frame, spool and drum ensure longest service life. Series 30000's vibration-proof, self-locking fasteners are ideal for industrial or field use such as turf care or pest control.

Hose Installation: The Series 30000 gooseneck is easily removed from the reel for hose attachment. Simply remove the four fasteners attaching gooseneck to reel, connect hose to the gooseneck and re-connect to the reel. NOTE: Do not discard the O-ring; insure that the O-ring is properly fitted into the grooves when replacing the gooseneck.

- ✓ Adjustable spool rotation drag that eliminates hose backlash
- ✓ Motor mounting at either end of reel
- ✓ Nickel-plated swivel with four O-ring options: AFLAS (standard), Buna, Viton® or -EPR* seals *Standard swivel
- ✓ Optional lock pin to prevent spool rotation when the reel is not in use, S600874

Available Options

Pivot Brackets
See page 47



Hose Roller Guides
See page 47



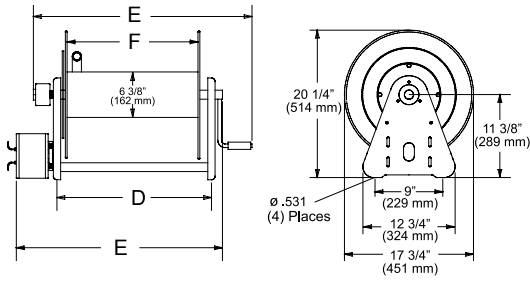
Switches & Motors
See page 48



Hose Assemblies
See page 50

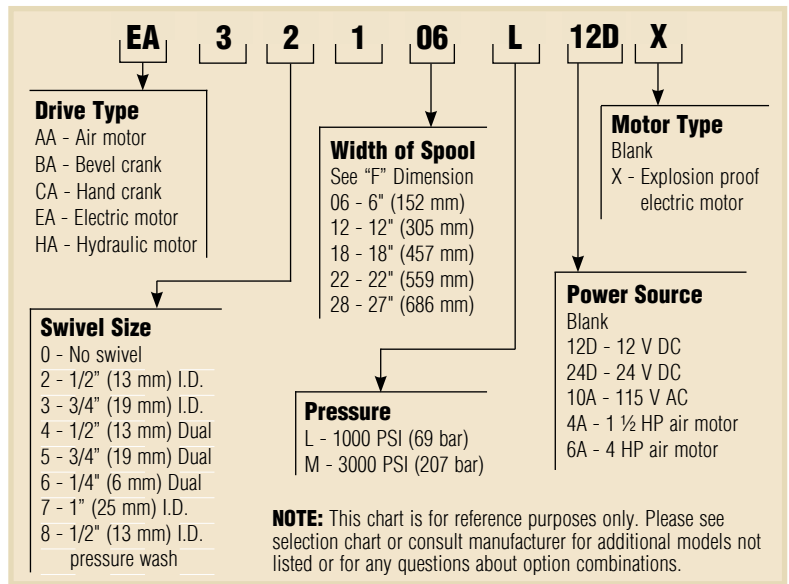


| Hose I.D. | 1/4" | 3/8" | 1/2" | 3/4" | 1" | |
|-----------|----------|---------------|-----------|-----------|-----------|--------|
| | (6.4 mm) | (9.5 mm) | (12.7 mm) | (19.1 mm) | (25.4 mm) | |
| Hose O.D. | .530" | .710" | .850" | 1.188" | 1.380" | |
| | (13 mm) | (18 mm) | (22 mm) | (30 mm) | (35.0 mm) | |
| "F" Width | Weight | Hose Capacity | | | | |
| 6" | 38 lb | 200' | 140' | 100' | 50' | N/A |
| (152 mm) | (18 kg) | (61 m) | (43 m) | (30 m) | (15 m) | |
| 12" | 46 lb | 425' | 300' | 200' | 100' | N/A |
| (305 mm) | (21 kg) | (130 m) | (91 m) | (61 m) | (30 m) | |
| 18" | 54 lb | 625' | 450' | 325' | 175' | 100' |
| (457 mm) | (24 kg) | (191 m) | (137 m) | (99 m) | (54 m) | (31 m) |
| 22" | 58 lb | 780' | 550' | 400' | 225' | 125' |
| (559 mm) | (27 kg) | (238 m) | (168 m) | (122 m) | (69 m) | (38 m) |
| 27" | 66 lb | 1000' | 700' | 500' | 275' | 150' |
| (686 mm) | (30 kg) | (305 m) | (213 m) | (152 m) | (84 m) | (46 m) |



Note: Weights listed are for crank driven. Add for power driven, electric - all explosion proof 45 lb. (20.41 kg); 12 V DC 1/3 HP 30 lb. (13.61 kg); Air 6 AM 36 lb. (16.33 kg). *Note: capacity chart is reference only.

Model Number Significance



Note: Many more reel models available in addition to chart. Please contact manufacturer for details.

| Model without hose & bumper | Shipping Weight | | Hose I.D. | | Hose O.D. | | Capacity | | Pressure | | (F)NPTF Reel Outlet | (F)NPTF Reel Inlet | D | | E | | F | | |
|---|-----------------|----|-----------|----|----------------|-----|----------|------|----------|-----|---------------------|--------------------|--------|--------|--------|------|-----|-----|--|
| | lbs | kg | in | mm | in | mm | ft | m | psi | bar | in | in | in | mm | in | mm | in | mm | |
| Hand Crank Hose Reels Temperature operating range from -20 °F (-29 °C) to +250 °F (121 °C) | | | | | | | | | | | | | | | | | | | |
| CA32106 L | 40 | 18 | 1/2 | 13 | .750 | 19 | 100 | 30 | 1000 | 69 | 1/2 | 1/2 | 9 3/4 | 248 | 19 3/4 | 502 | 6 | 152 | |
| CA32112 L | 46 | 21 | 1/2 | 13 | .750 | 19 | 200 | 61 | 1000 | 69 | 1/2 | 1/2 | 15 3/4 | 400 | 25 3/4 | 654 | 12 | 305 | |
| CA32118 L | 51 | 23 | 1/2 | 13 | .750 | 19 | 325 | 99 | 1000 | 69 | 1/2 | 1/2 | 21 3/4 | 552 | 31 3/4 | 806 | 18 | 457 | |
| CA32122 L | 65 | 29 | 1/2 | 13 | .750 | 19 | 400 | 122 | 1000 | 69 | 1/2 | 1/2 | 25 3/4 | 654 | 35 3/4 | 908 | 22 | 559 | |
| CA32128 L | 69 | 31 | 1/2 | 13 | .750 | 19 | 500 | 152 | 1000 | 69 | 1/2 | 1/2 | 30 3/4 | 781 | 40 3/4 | 1035 | 27 | 686 | |
| CA32106 M | 42 | 19 | 1/2 | 13 | .850 | 22 | 100 | 30 | 3000 | 207 | 1/2 | 1/2 | 9 3/4 | 248 | 19 3/4 | 502 | 6 | 152 | |
| CA32112 M | 46 | 21 | 1/2 | 13 | .850 | 22 | 200 | 61 | 3000 | 207 | 1/2 | 1/2 | 15 3/4 | 400 | 25 3/4 | 654 | 12 | 305 | |
| CA32118 M | 52 | 24 | 1/2 | 13 | .850 | 22 | 325 | 99 | 3000 | 207 | 1/2 | 1/2 | 21 3/4 | 552 | 31 3/4 | 806 | 18 | 457 | |
| CA33106 L | 41 | 19 | 3/4 | 19 | 1.075 | 27 | 50 | 15 | 1000 | 69 | 3/4 | 3/4 | 9 3/4 | 248 | 19 3/4 | 502 | 6 | 152 | |
| CA33112 L | 46 | 21 | 3/4 | 19 | 1.075 | 27 | 100 | 30 | 1000 | 69 | 3/4 | 3/4 | 15 3/4 | 400 | 25 3/4 | 654 | 12 | 305 | |
| CA33118 L | 51 | 23 | 3/4 | 19 | 1.075 | 27 | 175 | 53 | 1000 | 69 | 3/4 | 3/4 | 21 3/4 | 552 | 31 3/4 | 806 | 18 | 457 | |
| CA33112 M | 47 | 21 | 3/4 | 19 | 1.188 | 30 | 100 | 30 | 3000 | 207 | 3/4 | 3/4 | 15 3/4 | 400 | 25 3/4 | 654 | 12 | 305 | |
| CA33118 M | 51 | 23 | 3/4 | 19 | 1.188 | 30 | 175 | 53 | 3000 | 207 | 3/4 | 3/4 | 21 3/4 | 552 | 31 3/4 | 806 | 18 | 457 | |
| CH37118 L | 54 | 24 | 1 | 25 | 1.375 | 35 | 100 | 30 | 300 | 21 | 1 | 1 | 21 3/4 | 552 | 31 3/4 | 806 | 18 | 457 | |
| CH37122 L | 61 | 28 | 1 | 25 | 1.375 | 35 | 150 | 46 | 300 | 21 | 1 | 1 | 25 3/4 | 654 | 35 3/4 | 908 | 22 | 559 | |
| CH37128 L | 65 | 29 | 1 | 25 | 1.375 | 35 | 175 | 53 | 300 | 21 | 1 | 1 | 30 3/4 | 781 | 40 3/4 | 1035 | 27 | 686 | |
| Bevel Crank Hose Reels Temperature operating range from -20 °F (-29 °C) to +250 °F (121 °C) | | | | | | | | | | | | | | | | | | | |
| BA36112 L | 57 | 26 | 1/4 | 6 | Twin Welding | 250 | 76 | 200 | 14 | 1/4 | 1/4 | 15 3/4 | 400 | 25 3/4 | 654 | 12 | 305 | | |
| BA34112 M | 54 | 24 | 1/2 | 13 | Twin Hydraulic | 100 | 30 | 3000 | 207 | 1/2 | 1/2 | 15 3/4 | 400 | 25 3/4 | 654 | 12 | 305 | | |
| Electric Motor Driven Hose Reels Temperature operating range from -20 °F (-29 °C) to +250 °F (121 °C) | | | | | | | | | | | | | | | | | | | |
| EA32106 L10A | 61 | 28 | 1/2 | 13 | .750 | 19 | 100 | 30 | 1000 | 69 | 1/2 | 1/2 | 9 3/4 | 248 | 19 5/8 | 498 | 6 | 152 | |
| EA32112 L12D | 64 | 29 | 1/2 | 13 | .750 | 19 | 200 | 61 | 1000 | 69 | 1/2 | 1/2 | 15 3/4 | 400 | 23 7/8 | 606 | 12 | 305 | |
| EA32118 L12D | 68 | 31 | 1/2 | 13 | .750 | 19 | 325 | 99 | 1000 | 69 | 1/2 | 1/2 | 21 3/4 | 552 | 29 5/8 | 752 | 18 | 457 | |
| EA33112 L12D | 68 | 31 | 3/4 | 19 | 1.075 | 27 | 100 | 30 | 1000 | 69 | 3/4 | 3/4 | 15 3/4 | 400 | 23 7/8 | 606 | 12 | 305 | |
| EA33118 L12D | 68 | 31 | 3/4 | 19 | 1.075 | 27 | 175 | 53 | 1000 | 69 | 3/4 | 3/4 | 21 3/4 | 552 | 29 5/8 | 752 | 18 | 457 | |
| EA33112 M12D | 71 | 32 | 3/4 | 19 | 1.188 | 30 | 100 | 30 | 3000 | 207 | 3/4 | 3/4 | 15 3/4 | 400 | 23 7/8 | 606 | 12 | 305 | |
| EA33128 M12D | 91 | 41 | 3/4 | 19 | 1.188 | 30 | 275 | 84 | 3000 | 207 | 3/4 | 3/4 | 30 3/4 | 781 | 38 5/8 | 981 | 27 | 686 | |
| EA33112 M24D | 71 | 32 | 3/4 | 19 | 1.188 | 30 | 100 | 30 | 3000 | 207 | 3/4 | 3/4 | 15 3/4 | 400 | 23 7/8 | 606 | 12 | 305 | |
| EH37118 L12D | 71 | 32 | 1 | 25 | 1.375 | 35 | 100 | 30 | 300 | 21 | 1 | 1 | 21 3/4 | 552 | 31 | 787 | 18 | 457 | |
| Air Motor Driven Hose Reels Filter, regulator, lubricator required. Temperature operating range from -20 °F (-29 °C) to +250 °F (121 °C) | | | | | | | | | | | | | | | | | | | |
| AA32112 L4A | 62 | 28 | 1/2 | 13 | .750 | 19 | 200 | 61 | 1000 | 69 | 1/2 | 1/2 | 15 3/4 | 400 | 23 1/4 | 591 | 12 | 305 | |
| AA33106 L4A | 59 | 27 | 3/4 | 19 | 1.075 | 27 | 50 | 15 | 1000 | 69 | 3/4 | 3/4 | 9 3/4 | 248 | 17 1/4 | 438 | 6 | 152 | |
| AA33112 L6A | 68 | 31 | 3/4 | 19 | 1.075 | 27 | 100 | 30 | 1000 | 69 | 3/4 | 3/4 | 15 3/4 | 400 | 23 1/4 | 591 | 12 | 305 | |

All Series 30000 reels are supplied without hose. Assemblies quoted upon request. **CAUTION:** To prevent drum damage, fully extend and pressurize hose and rewind on the reel. For all metric thread connections over 1/2" add the suffix number 70 to indicate BSPT threads - example CA33112 M70.

Portable Hose Reel and Cart



Hose Reel and Cart Package
600968

| Hose Reel and Cart Packages | |
|-----------------------------|---|
| Package | Items Included |
| 600965 | 12" hand crank hose reel (CA32112 L); 12" hand cart with pneumatic tires (600741-1); 10' inlet hose (600962) |
| 600966 | 12" hand crank hose reel (CA32112 L); 12" hand cart with semi-pneumatic tires (600741-2); 10' inlet hose (600962) |
| 600967 | 12" hand crank hose reel (CA33112 L); 12" hand cart with pneumatic tires (600741-1); 10' inlet hose (600963) |
| 600968 | 18" hand crank hose reel (CB37118 L); 18" hand cart with pneumatic tires (600885-1); 10' inlet hose (S600829-10) |

Additional Accessories

Battery box (battery not included): S600812

Battery cable connector: 600814

Chain guard: S600518

Hose: 1" ID x 100', 1" NPT x 1" NPSH: 600829-100

Hose: 3/4" ID x 150', 3/4" NPT x 1" NPSH: 601044-150

Inlet hose: 1" ID x 10', 1" NPT x 1" NPSH: S600829-10

Operating switch: S600808

Garden Fitting Conversion Kit

1/2" NPTM x 3/4" NH: 260729

3/4" NPTM x 3/4" NH: 261702

Note: Refer to pages 24 and 25 for Series 30000 hose reel dimensions and specifications.

Made in USA 



600965

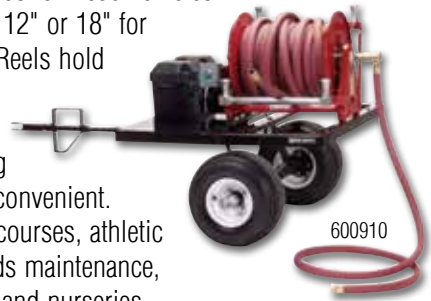
| | Cart Size | | | |
|----------|----------------|--------------------------------|----------|------------------------------------|
| | | Pneumatic | 600741-1 | 600885-1 |
| | Semi-Pneumatic | 600741-2 | 600885-2 | |
| | | in | mm | in mm |
| A | | Adjustable* | | |
| B | | 23 ³ / ₄ | 603 | 28 ³ / ₄ 730 |
| C | | 18 ¹ / ₄ | 464 | 18 ¹ / ₄ 464 |

*Handle height of cart is adjustable to 35⁵/₈", 38⁵/₈", 41¹/₂" or 44¹/₂". Eight 5/16" (8mm) diameter mounting holes.

Hose Reel and Trailer

Made in USA 

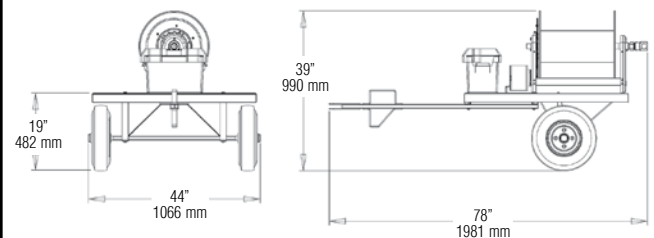
Reelcraft's rugged, self-contained hose reel trailer easily attaches to most off-road vehicles or carts and is pre-drilled 12" or 18" for Series 30000 hose reels. Reels hold up to 150' of 3/4" I.D. or 100' of 1" I.D. water hose. Makes spot watering easier, quicker and more convenient. Applications include golf courses, athletic fields, sports turfs, grounds maintenance, parks and rec, agriculture and nurseries.





600910

| Hose Reel and Trailer Packages | |
|--------------------------------|--|
| Package | Items Included |
| 600911 | Trailer (600810); Hand rewind hose reel (CB37118 L); 10' lead hose (S600829-10); Roller bracket, top wind (602133-3) |
| 600910 | Trailer (600810); 12 V DC Motor driven hose reel (EB37118 L12D); Switch, complete (S600808); Battery box, battery not included (S600812); Chain guard (600518); Roller bracket, top wind (602133-3); Roller bracket, bottom wind (S602132-3); 10' lead hose with 1" I.D. (600829-10) |
| 600810 | Trailer only - does not include hose or reel. Reels designed for trailer include motor driven EB37118 L12D and hand crank CB37118 L. Trailer weight 154 lbs / 70 kg. |

Trailer Dimensions



Trailer designed for off-road use only, not for passenger transport. Maximum weight capacity 400 pounds. Maximum speed 15 miles per hour. Trailer, reel and accessories sold separately.

| Additional Series 30000 Accessories | |
|--|---|
|  S600812 | S600812 Battery Box Battery not included. Supplied with mounting hardware. Inside dimensions = 9" height x 14" width x 7 1/2" depth |
|  600814 | 600814 Battery Cable Connector Battery not included. See page 48 for switches, motors and chain guards, page 49 for inlet hoses and page 50 for replacement hoses. |

Heavy Duty Large Frame Reels Nordic Series 1200

1" fluid path for 1/2" through 1" I.D. hose

Rewind: Direct crank rewind or chain and sprocket drive powered by A.C. or D.C. electric motor, compressed air motor or hydraulic motor. Crank is not supplied on power rewind models. A pin lock assembly is optional on manual rewind reels. A 3/8" pitch chain is standard.

Inlet: 1/2" up to 1" female/male NPT 90° swivel joint. Straight swivel joint may be specified at extra cost.

Gooseneck: 1/2", 3/4", 1" female NPT. Other sizes and/or threads, including garden hose thread, can be furnished when specified.

The standard color for this series is red.

Built to order, not returnable.



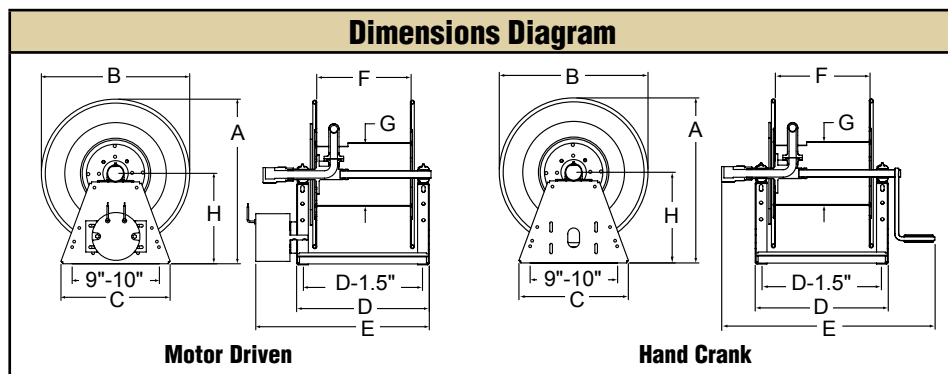
Nordic Series 1200

Shown with optional three-way roller bracket.

Nonexplosion-proof motor is standard "E" (pictured). Explosion proof (EP) motor is available upon request.



Product temperatures range from -20 °F to +225 °F and standard pressures to 3000 psi. Other temperatures or pressures can be furnished at extra cost; consult manufacturer.



| Hose I.D. | | in | 1/2 | 3/4 | 1 | Specification - Hose Capacity and Reel Dimensions | | | | | | | | | | | | | | |
|------------|-------------|-----|-------|---------------|---------------|--|-------|----|------|-----|-------|-------|------|-------|---------|-----|------|-----|-------|------|
| Hose O.D. | | mm | 12.7 | 19.1 | 25.4 | KEY: CRK = hand crank; "E" = nonexplosion-proof electric motor; EP = explosion-proof motor; AIR = air motor; BEVEL = bevel crank | | | | | | | | | | | | | | |
| | | mm | 0.845 | 1.18 | 1.4 | | | | | | | | | | | | | | | |
| | | mm | 21.5 | 30 | 35.6 | | | | | | | | | | | | | | | |
| Model | Hose Length | | | Weight Crank* | Weight Motor* | Weight Bevel* | A | B | C | D | E CRK | E "E" | E EP | E AIR | E BEVEL | F | G | H | | |
| 1200-19-6 | ft | 100 | 50 | 35 | 41 LB | 58 LB | 48 LB | in | 21.1 | 19 | 14 | 11 | 22 | 16.5 | 16 | 24 | 6 | 8 | 11.6 | |
| | m | 30 | 15 | 11 | 19 KG | 26 KG | 22 KG | mm | 536 | 483 | 356 | 279 | 559 | 419 | 470 | 610 | 152 | 203 | 295 | |
| 1200-19-12 | ft | 200 | 100 | 70 | 43 LB | 60 LB | 50 LB | in | 21.1 | 19 | 14 | 17 | 28 | 22.5 | 24.5 | 22 | 30 | 12 | 8 | 11.6 |
| | m | 61 | 30 | 21 | 20 KG | 27 KG | 23 KG | mm | 536 | 483 | 356 | 432 | 711 | 572 | 622 | 559 | 762 | 305 | 203 | 295 |
| 1200-19-18 | ft | 300 | 150 | 105 | 44 LB | 61 LB | 51 LB | in | 21.1 | 19 | 14 | 23 | 34 | 28.5 | 30.5 | 28 | 36 | 18 | 8 | 11.6 |
| | m | 91 | 46 | 32 | 20 KG | 28 KG | 23 KG | mm | 536 | 483 | 356 | 584 | 864 | 724 | 775 | 711 | 914 | 457 | 203 | 295 |
| 1200-19-22 | ft | 365 | 180 | 125 | 45 LB | 62 LB | 52 LB | in | 21.1 | 19 | 14 | 27 | 38 | 32.5 | 34.5 | 32 | 40 | 22 | 8 | 11.6 |
| | m | 111 | 55 | 38 | 20 KG | 28 KG | 24 KG | mm | 536 | 483 | 356 | 686 | 965 | 826 | 876 | 813 | 1016 | 559 | 203 | 295 |
| 1200-19-28 | ft | 465 | 230 | 160 | 46 LB | 63 LB | 53 LB | in | 21.1 | 19 | 14 | 33 | 44 | 38.5 | 40.5 | 38 | 46 | 28 | 8 | 11.6 |
| | m | 142 | 70 | 49 | 21 KG | 29 KG | 24 KG | mm | 536 | 483 | 356 | 838 | 1118 | 978 | 1029 | 965 | 1168 | 711 | 203 | 295 |
| 1200-23-6 | ft | 150 | 75 | 50 | 49 LB | 66 LB | 56 LB | in | 25.1 | 23 | 15.25 | 11 | 22 | 16.5 | 18.5 | 16 | 24 | 6 | 11.25 | 13.6 |
| | m | 46 | 23 | 15 | 22 KG | 30 KG | 25 KG | mm | 638 | 584 | 387 | 279 | 559 | 419 | 470 | 406 | 610 | 152 | 286 | 345 |
| 1200-23-12 | ft | 300 | 150 | 100 | 51 LB | 68 LB | 58 LB | in | 25.1 | 23 | 15.25 | 17 | 28 | 22.5 | 24.5 | 22 | 30 | 12 | 11.25 | 13.6 |
| | m | 91 | 46 | 30 | 23 KG | 31 KG | 26 KG | mm | 638 | 584 | 387 | 432 | 711 | 572 | 622 | 559 | 762 | 305 | 286 | 345 |
| 1200-23-18 | ft | 450 | 225 | 150 | 52 LB | 69 LB | 59 LB | in | 25.1 | 23 | 15.25 | 23 | 34 | 28.5 | 30.5 | 28 | 36 | 18 | 11.25 | 13.6 |
| | m | 137 | 69 | 46 | 24 KG | 31 KG | 27 KG | mm | 638 | 584 | 387 | 584 | 864 | 724 | 775 | 711 | 914 | 457 | 286 | 345 |
| 1200-23-22 | ft | 550 | 275 | 180 | 53 LB | 70 LB | 60 LB | in | 25.1 | 23 | 15.25 | 27 | 38 | 32.5 | 34.5 | 32 | 40 | 22 | 11.25 | 13.6 |
| | m | 168 | 84 | 55 | 24 KG | 32 KG | 27 KG | mm | 638 | 584 | 387 | 686 | 965 | 826 | 876 | 813 | 1016 | 559 | 286 | 345 |
| 1200-23-28 | ft | 700 | 350 | 230 | 54 LB | 71 LB | 61 LB | in | 25.1 | 23 | 15.25 | 33 | 44 | 38.5 | 40.5 | 38 | 46 | 28 | 11.25 | 13.6 |
| | m | 213 | 107 | 70 | 24 KG | 32 KG | 28 KG | mm | 638 | 584 | 387 | 838 | 1118 | 978 | 1029 | 965 | 1168 | 711 | 286 | 345 |

Refer to page 28 to build a representative model number. Final part number assigned upon quote. Refer to chart on page 31 for weight adders.

Large Frame Reels | Nordic Heavy Duty Solutions

Reelcraft's Engineered Product Solutions

Full Flow Design

The goose neck is contoured to match the drum diameter, which allows smooth hose wrapping and unimpeded flow.

Long Service Life

Swivel incorporates a permanently lubricated ball bearing.

Adjustable Hose Tension

The brake can be adjusted to suit the application requirements.

Trouble-Free Rewinding

Chain and sprocket drive ensures smooth and consistent operation.

Meets or Exceeds Military Vibration for Truck Transport test.

MIL-STD-810F
500,000 mile equivalent

Long Service Life

The spool axial is supported by independent self-aligning bearing.

Free Rotation While Pressurized

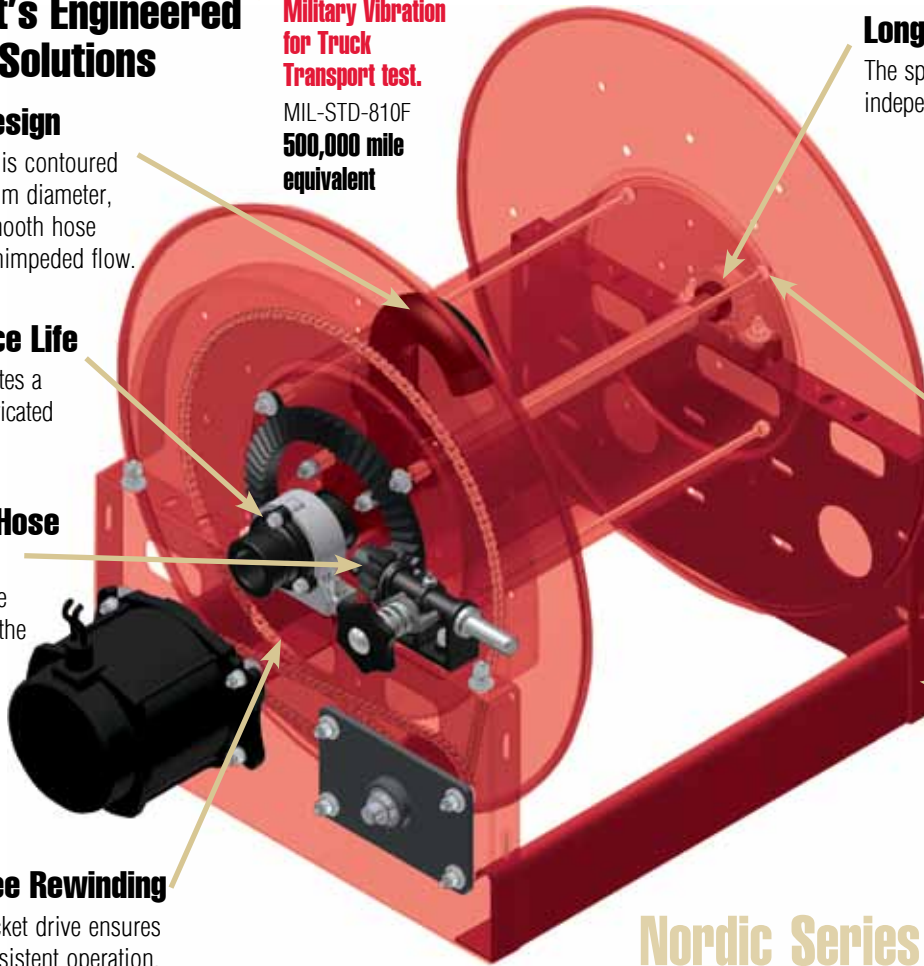
The swing joint and spindle allows reel to freely rotate while fluid is pressurized.

Precise Rigid Construction

Proprietary unitized tie rods are zinc plated offering greater strength and resistance to vibration and corrosion.

Ultimate Corrosion Resistance

Individually powder coated components insure maximum coverage and resistance to corrosion. Stainless steel fasteners are standard.



Nordic Series

| Drive Options | Series | Head Dia. | Drum Length | Thread Size | Inlet/Outlet Thread | Thread Style | Fluid Path Material | Pressure | Inlet Style | Fluid Path Location/Direction | Color Code |
|-------------------------------------|--------|-----------|-------------------------|-----------------------------------|------------------------|----------------|---------------------|--------------------------|-------------------------|-------------------------------|------------|
| E 12 V DC | 1200 | 19 | 6"-36" in 2" increments | 50 1/2" | FM Female In/ Male Out | NP NPT | A Aluminum | LP 0-600 | 1 Straight | 1 Left Hand Top Wind | R Red |
| NJ 24 V DC | 2400 | 21 | | 75 3/4" | BP BSPP | D Ductile Iron | 1K 600-1000 | 2 90° | 2 Left Hand Bottom Wind | B Black | |
| EP *12 V DC Exp | 3900 | 23 | 10 1" | BT BSPT | S Stainless | 3K 1000-3000 | 5 1" LPG | 3 Right Hand Top Wind | W White | | |
| EA *115 V AC Exp | 3700 | 25 | 12 1 1/4" | MF Male In/ Female Out | B Bronze | 5K 3001-5000 | 6 1 1/2" LPG | 4 Right Hand Bottom Wind | G Grey | | |
| EX *230 V AC Exp | 5900 | 28 | 15 1 1/2" | MM Male In/Out | | 6K 5001-6000 | | | S Silver | | |
| EJ *24 V DC Exp | | 31 | 20 2" | VM Grooved fitting In/ Male Out | | 10K 10,000 | | | | | |
| HD Hydraulic | | 36 | 25 2 1/2" | VF Grooved fitting In/ Female Out | | 15K 15,000 | | | | | |
| AF 1 1/2 HP Air | | 39 | 30 3" | | | | | | | | |
| AR 4 HP Air | | 46 | 40 4" | | | | | | | | |
| BC Bevel Crank | | | | | | | | | | | |
| HC Hand Crank | | | | | | | | | | | |
| S Storage | | | | | | | | | | | |
| CR Cable Reel | | | | | | | | | | | |
| *Exp=Explosion proof motor | | | | | | | | | | | |
| Material Options/ Drive Size | | | | | | | | | | | |
| 1/2" Pitch Chain | ##5 | | | | | | | | | | |
| 5/8" Pitch Chain | ##6 | | | | | | | | | | |
| 3/4" Pitch Chain | ##7 | | | | | | | | | | |
| Gear Driven | ##9 | | | | | | | | | | |
| Alum. Frame/Spool | ##5# | | | | | | | | | | |
| 304 S.S. Frame/Spool | ##9# | | | | | | | | | | |
| 316 S.S. Frame/Spool | ##8# | | | | | | | | | | |
| Sewer Cleaning Reel | ##15 | | | | | | | | | | |
| Twin Hose | ##11 | | | | | | | | | | |

Part No. Example: EP3900-23-28-15FFNPALP21-R00

EP(12VDC Electric Explosion Proof Motor)
 3900(Series 3900 Hose Reel)
 -23(23" Head Dia.) -28(28" Drum Length)
 -15(1-1/2" Thread Size) FF(Female In/Out Thread Type)
 NP(NPT Thread Style) A(Aluminum Fluid Path)
 LP(0-600 PSI) 2(90° Inlet)
 1(Left Hand Top Wind Fluid Path Location/Direction)
 R(Red)

NOTE: Not all options available in every combination. Actual assigned part numbers will vary. Please contact manufacturer for price and availability.

Additional Options

| |
|-------------------------|
| Idler |
| Chain Guard |
| Roller Bracket (Top) |
| Roller Bracket (Bottom) |
| Inboard Motor |
| Brake |
| Auxiliary Bevel Crank |
| Hose Boss (Guide) |
| Junction Box |
| Explosion Proof Switch |
| Solenoid |
| Circuit Breaker |
| Control Valve |

Heavy Duty Large Frame Reels Nordic Series 2400

1/2", 3/4" or 1" fluid path for 1/2" through 1" I.D. hose

Rewind: Gear-drive rewind (new) or chain and sprocket drive powered by A.C. or D.C. electric motor, compressed air motor or hydraulic motor.

Inlet: 1/2" up to 1" female/male NPT 90° swivel joint. Straight swivel joint may be specified at extra cost.

Gooseneck: 1/2" up to 1" female/male NPT. Other sizes and/or threads, including male NST and male garden hose thread, can be furnished when specified.

Product temperatures from -20 °F to +225 °F and standard pressures to 3000 psi. Reels to operate at other temperatures or pressures can be furnished at extra cost, consult manufacturer. The standard color for this series is red or gray. Add 12" to B dimension when crank is in rewind position.

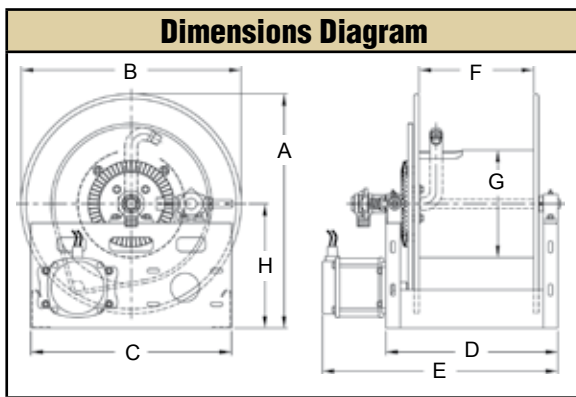
NEW!
Gear drive
option



**1/2" pitch chain
now standard**

Shown with optional
bevel crank.

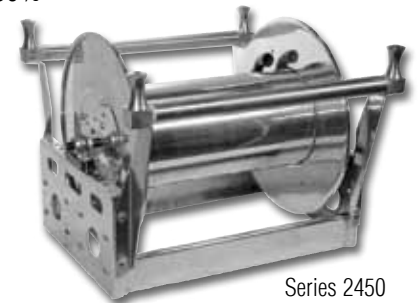
**Made
in USA**



Fire Service / Booster Reels

The **aluminum Series 2450** reel for booster hose is corrosion-resistant and weighs up to 50% less than standard steel booster reels. Features include an aluminum spool and frame assembly, plated steel fluid path and plated sprocket and fasteners. **No painting or finishing is required.**

Built to order, not returnable.



Series 2450

| Hose I.D. | in mm | 1/2 | 3/4 | 1 | Specification - Hose Capacity and Reel Dimensions | | | | | | | | | | | | | | | | | | |
|------------|----------|------------|-------------|-------------|---|---|-------------|-----------|----------------|-----------|-----------|-----------|-----------|-----------|-----------|-----------|-----------|-----------|-----------|--------------|--------------|-----------|---|
| | | 13 | 19 | 25 | KEY: CRK = hand crank; ELC = electric motor; HYD = hydraulic motor; AIR = air motor | | | | | | | | | | | | | | | | | | |
| Hose O.D. | in mm | .875 22 | 1.281 33 | 1.563 40 | Model | Hose Length (other std. lengths available) | | | Est. Weight | A | B CRK | B ELC | B AIR | B HYD | C | D | E CRK | E ELC | E AIR | E HYD | F | G | H |
| 2400-19-16 | ft m | 200 61 | 100 30 | 50 15 | 70 LB 32 KG | in mm | 22.5 572 | 21 533 | 21 533 | 21 533 | 21 533 | 21 533 | 21 533 | 21 533 | 22 559 | 26 660 | 29 737 | 28 711 | 28 711 | 16 406 | 11.25 286 | 13 330 | |
| 2400-23-14 | ft m | 315 96 | 150 46 | 100 30 | 74 LB 34 KG | in mm | 24.5 622 | 23 584 | 23 584 | 23 584 | 23 584 | 23 584 | 23 584 | 21 533 | 20 508 | 24 610 | 27 686 | 26 660 | 26 660 | 14 356 | 11.25 286 | 13 330 | |
| 2400-23-18 | ft m | 485 148 | 240 73 | 150 46 | 78 LB 35 KG | in mm | 24.5 622 | 23 584 | 23 584 | 23 584 | 23 584 | 23 584 | 21 533 | 24 610 | 28 711 | 31 787 | 30 762 | 30 762 | 30 762 | 18 457 | 11.25 286 | 13 330 | |
| 2400-23-20 | ft m | 535 163 | 260 79 | 165 50 | 80 LB 36 KG | in mm | 24.5 622 | 23 584 | 23 584 | 23 584 | 23 584 | 23 584 | 21 533 | 26 660 | 30 762 | 33 838 | 33 813 | 32 813 | 32 813 | 20 508 | 11.25 286 | 13 330 | |
| 2400-23-24 | ft m | 625 191 | 300 91 | 200 61 | 84 LB 38 KG | in mm | 24.5 622 | 23 584 | 23 584 | 23 584 | 23 584 | 23 584 | 21 533 | 30 762 | 34 864 | 37 940 | 36 914 | 36 914 | 24 610 | 11.25 286 | 13 330 | | |
| 2400-25-8 | ft m | 235 72 | 125 38 | 60 18 | 72 LB 33 KG | in mm | 26.5 673 | 25 635 | 25 635 | 25 635 | 25 635 | 25 635 | 21 533 | 14 356 | 18 457 | 18 533 | 20 508 | 20 508 | 20 508 | 8 203 | 11.25 286 | 14 356 | |
| 2400-25-14 | ft m | 450 137 | 225 69 | 110 34 | 74 LB 34 KG | in mm | 26.5 673 | 25 635 | 25 635 | 25 635 | 25 635 | 25 635 | 21 533 | 20 508 | 24 610 | 27 686 | 26 660 | 26 660 | 14 356 | 11.25 286 | 14 356 | | |
| 2400-31-8 | ft m | 435 133 | 185 56 | 125 38 | 74 LB 34 KG | in mm | 32.5 826 | 31 787 | 31 787 | 31 787 | 31 787 | 31 787 | 24 610 | 14 356 | 18 457 | 21 533 | 20 508 | 20 508 | 20 508 | 8 203 | 11.25 286 | 17 432 | |
| 2400-31-10 | ft m | 540 165 | 235 72 | 165 50 | 76 LB 34 KG | in mm | 32.5 826 | 31 787 | 31 787 | 31 787 | 31 787 | 31 787 | 24 610 | 16 406 | 20 508 | 23 584 | 22 559 | 22 559 | 22 559 | 10 254 | 11.25 286 | 17 432 | |
| 2400-31-16 | ft m | 900 274 | 400 122 | 300 91 | 80 LB 36 KG | in mm | 32.5 826 | 31 787 | 31 787 | 31 787 | 31 787 | 31 787 | 24 610 | 22 559 | 26 660 | 29 737 | 28 711 | 28 711 | 28 711 | 16 406 | 11.25 286 | 17 432 | |

Refer to page 28 to build a representative model number. Final part number assigned upon quote. Refer to chart on page 31 for weight adders.

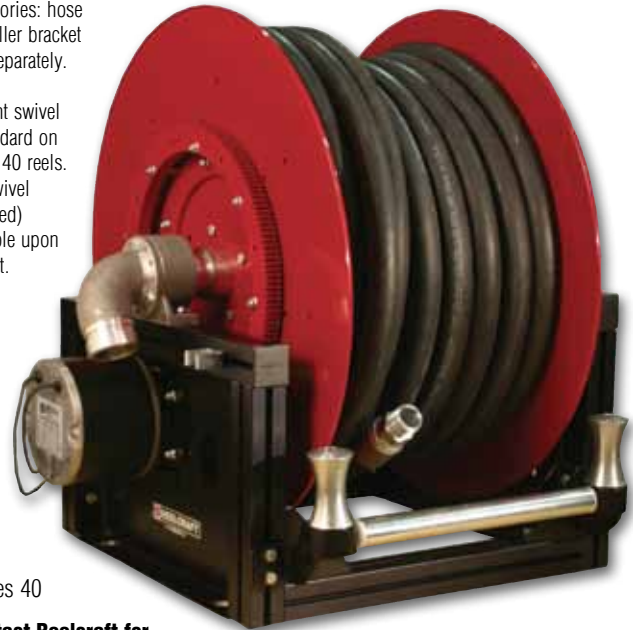
Modular Large Frame Reels Series 40 - 1", 1 1/4", 1 1/2" I.D

Flexible Configurations

- ✓ Standard straight ball bearing swivel joint with female NPT threads and 2" grooved fitting. 90° swivel available upon request.
- ✓ Hand crank, bevel crank, 12 V DC gear and chain drive rewind.
- ✓ Also available as standard, explosion proof 12 V DC, 115 AC, hydraulic and pneumatic motor.
- ✓ Powder coated steel flanges included, aluminum also available as standard.
- ✓ Open spool spacer allows for easy access to reversible goose neck and open spool design allows for hose flexing under pressure without spool distortion.
- ✓ Plumbing and motor shown on left side; however, any configuration is available as a standard order.
- ✓ Standard colors are powder coat red with black frame. Other colors available upon request.
- ✓ Max pressure: 600 psi. Standard seals maximum temperature 174 °F (79 °C) and minimum temperature -20 °F (-29 °C). Extreme temperature seals maximum temperature 400 °F (204 °C) and minimum temperature -50 °F (-45 °C).
- ✓ Chain/gear guard is a recommended option, sold separately.

Shown with optional accessories: hose and roller bracket sold separately.

Straight swivel is standard on Series 40 reels. 90° swivel (pictured) available upon request.



Series 40

Contact Reelcraft for guard, switch and roller brackets.

Built to order, not returnable.

Made in USA

Also available in standard drive types:

Explosion proof
12 V DC
24 V DC
115 V AC

Pneumatic Motor
Hydraulic Motor
Auxiliary Bevel Crank

Part Number Options

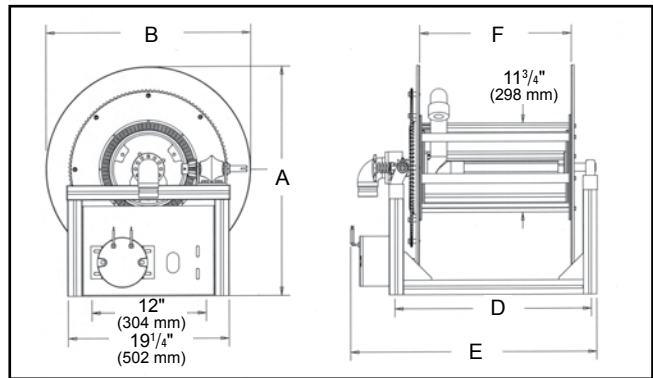
4□1131□□1LC

Hose ID: _____

- 1 = 1" hose
- 2 = 1 1/4" hose
- 3 = 1 1/2" hose

Drive Type: _____

- CG = Hand Crank
- BG = Bevel Crank (only)
- DH = 12 V DC, Gear Drive
- EH = 12 V DC, Chain Drive



| Hose Capacity | Series 41 | | Series 42 | | Series 43 | | Dimensions | | | | | | | | | | | |
|---------------|-----------|-----|-----------|----|-----------|-----|---|-----|----|-----|--------|-----|---------|------|------------|------|----|-----|
| | in | mm | in | mm | in | mm | KEY: Bevel = bevel crank; Electric = electric motor | | | | | | | | | | | |
| Hose I.D. | 1 | 25 | 1 1/4 | 32 | 1 1/2 | 38 | A | | B | | D | | E Bevel | | E Electric | | F | |
| Hose O.D. | 1.563 | 40 | 1.813 | 46 | 2.063 | 52 | in | mm | in | mm | in | mm | in | mm | in | mm | in | mm |
| A4□1131□□1LC | 80 | 24 | 50 | 15 | --- | --- | 24 | 610 | 21 | 533 | 18 3/4 | 476 | 23 3/4 | 603 | 25 3/4 | 654 | 13 | 330 |
| A4□2081□□1LC | 80 | 24 | 50 | 15 | --- | --- | 26 | 660 | 25 | 635 | 13 3/4 | 349 | 17 3/4 | 451 | 19 3/4 | 502 | 8 | 203 |
| A4□1171□□1LC | 100 | 30 | 80 | 24 | 50 | 15 | 24 | 610 | 21 | 533 | 22 3/4 | 578 | 26 3/4 | 679 | 28 3/4 | 730 | 17 | 432 |
| A4□2101□□1LC | 100 | 30 | 80 | 24 | 50 | 15 | 26 | 660 | 25 | 635 | 15 3/4 | 400 | 19 3/4 | 502 | 21 3/4 | 552 | 10 | 254 |
| A4□1321□□1LC | 200 | 61 | 150 | 46 | 100 | 30 | 24 | 610 | 21 | 533 | 37 3/4 | 959 | 41 3/4 | 1060 | 43 3/4 | 1111 | 32 | 813 |
| A4□2191□□1LC | 200 | 61 | 150 | 46 | 100 | 30 | 26 | 660 | 25 | 635 | 24 3/4 | 629 | 28 3/4 | 730 | 30 3/4 | 781 | 19 | 483 |
| A4□3131□□1LC | 200 | 61 | 150 | 46 | 100 | 30 | 30 | 762 | 28 | 711 | 18 3/4 | 476 | 26 3/4 | 679 | 28 3/4 | 730 | 13 | 330 |
| A4□3221□□1LC | 325 | 99 | 250 | 76 | 200 | 61 | 29 | 737 | 28 | 711 | 27 3/4 | 705 | 31 3/4 | 806 | 33 3/4 | 857 | 22 | 559 |
| A4□4171□□1LC | 350 | 107 | 275 | 84 | 200 | 61 | 34 | 864 | 31 | 787 | 22 3/4 | 578 | 26 3/4 | 679 | 28 3/4 | 730 | 17 | 432 |

Verify application dimensions and weight requirements prior to ordering. **Installation Note:** For the warranty to be valid, a flexible connector MUST be used between the swivel and the inlet piping.

Heavy Duty Large Frame Reels Nordic Series 3900

1 1/2" fluid path for 1" through 1 1/2" I.D. hose

Rewind: Gear-drive rewind (new) or chain and sprocket drive powered by A.C. or D.C. electric motor, compressed air motor or hydraulic motor.

Inlet: 2" straight grooved fitting with 1 1/2" female NPT straight swivel joint is standard. 2" 90° grooved fitting with 1 1/2" NPT female available at extra cost.

Gooseneck: 1", 1 1/4" and 1 1/2" female/male NPT outlet. Other sizes and/or threads can be furnished and must be specified.

Add 12" to B dimension when crank is in rewind position.
The standard color for this series is red or gray.

Built to order, not returnable.

NEW!
**Gear drive
option**

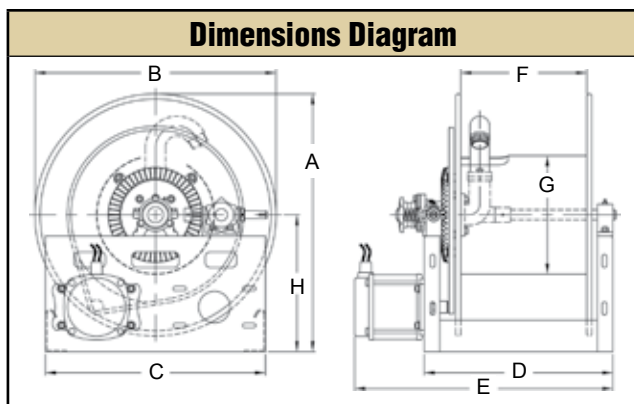
**1/2" pitch chain
now standard**

Shown with optional
bevel crank.

**Made
in USA** 



Standard seals maximum temperature 174 °F (79 °C) and minimum temperature -20 °F (-29 °C). Extreme temperature seals maximum temperature 400 °F (204 °C) and minimum temperature -50 °F (-45 °C) and standard pressures to 600 psi. Other temperatures or pressures can be furnished at extra cost, consult manufacturer.



Note: Weights shown in chart are for crank rewind models.

| Prefix | Type | LB / KG |
|--------|----------|---------|
| EP | Electric | 42 / 19 |
| A | Air | 26 / 12 |
| H | Hyd | 26 / 12 |

Add these amounts and model number prefix for power rewind models.

| Hose I.D. | in mm | 1 | 1 1/4 | 1 3/8 | 1 1/2 | Specification - Hose Capacity and Reel Dimensions | | | | | | | | | | | | | | | | | | | |
|------------|----------|-------------|-------------|-------------|-------------|---|-------------|------|-----|-----|-------------|-----|-------|-------|-------|-------|------|------|-------|-------|-------|-------|---|---|---|
| | | 25 32 | 32 46 | 35 51 | 38 52 | KEY: CRK = hand crank; ELC = electric motor; HYD = hydraulic motor; AIR = air motor | | | | | | | | | | | | | | | | | | | |
| Hose O.D. | in mm | 1.563 40 | 1.813 46 | 2.000 51 | 2.063 52 | Model | Hose Length | | | | Est. Weight | A | B CRK | B ELC | B AIR | B HYD | C | D | E CRK | E ELC | E AIR | E HYD | F | G | H |
| 3900-19-16 | ft | 55 | 45 | 45 | 40 | 90 LB | in | 22.5 | 21 | 21 | 21 | 21 | 21 | 21 | 22 | 26 | 29 | 28 | 28 | 16 | 11.25 | 13 | | | |
| | m | 17 | 14 | 14 | 12 | 41 KG | mm | 572 | 533 | 533 | 533 | 533 | 533 | 533 | 559 | 660 | 737 | 711 | 711 | 406 | 286 | 330 | | | |
| 3900-19-20 | ft | 70 | 65 | 60 | 55 | 93 LB | in | 22.5 | 21 | 21 | 21 | 21 | 21 | 21 | 26 | 30 | 33 | 32 | 32 | 20 | 11.25 | 13 | | | |
| | m | 21 | 20 | 18 | 17 | 42 KG | mm | 572 | 533 | 533 | 533 | 533 | 533 | 533 | 660 | 762 | 838 | 813 | 813 | 508 | 286 | 330 | | | |
| 3900-23-12 | ft | 95 | 60 | 55 | 50 | 87 LB | in | 24.5 | 23 | 23 | 23 | 23 | 21 | 18 | 22 | 25 | 24 | 24 | 12 | 11.25 | 13 | | | | |
| | m | 29 | 18 | 17 | 15 | 39 KG | mm | 622 | 584 | 584 | 584 | 584 | 533 | 457 | 559 | 635 | 610 | 610 | 305 | 286 | 330 | | | | |
| 3900-23-18 | ft | 155 | 90 | 90 | 80 | 93 LB | in | 24.5 | 23 | 23 | 23 | 23 | 21 | 24 | 28 | 31 | 30 | 30 | 18 | 11.25 | 13 | | | | |
| | m | 47 | 27 | 27 | 24 | 42 KG | mm | 622 | 584 | 584 | 584 | 584 | 533 | 610 | 711 | 787 | 762 | 762 | 457 | 286 | 330 | | | | |
| 3900-23-20 | ft | 165 | 105 | 100 | 95 | 95 LB | in | 24.5 | 23 | 23 | 23 | 23 | 21 | 26 | 30 | 33 | 32 | 32 | 20 | 11.25 | 13 | | | | |
| | m | 50 | 32 | 30 | 29 | 42 KG | mm | 622 | 584 | 584 | 584 | 584 | 533 | 660 | 762 | 838 | 813 | 813 | 508 | 286 | 330 | | | | |
| 3900-23-26 | ft | 220 | 120 | 110 | 105 | 100 LB | in | 24.5 | 23 | 23 | 23 | 23 | 21 | 32 | 36 | 39 | 38 | 38 | 26 | 11.25 | 13 | | | | |
| | m | 67 | 37 | 34 | 32 | 45 KG | mm | 622 | 584 | 584 | 584 | 584 | 533 | 813 | 914 | 991 | 965 | 965 | 660 | 286 | 330 | | | | |
| 3900-23-28 | ft | 240 | 145 | 140 | 135 | 103 LB | in | 24.5 | 23 | 23 | 23 | 23 | 21 | 34 | 38 | 41 | 40 | 40 | 28 | 11.25 | 13 | | | | |
| | m | 73 | 44 | 43 | 41 | 47 KG | mm | 622 | 584 | 584 | 584 | 584 | 533 | 864 | 965 | 1041 | 1016 | 1016 | 711 | 286 | 330 | | | | |
| 3900-23-36 | ft | 320 | 190 | 180 | 175 | 111 LB | in | 24.5 | 23 | 23 | 23 | 23 | 21 | 42 | 46 | 49 | 48 | 48 | 36 | 11.25 | 13 | | | | |
| | m | 98 | 58 | 55 | 53 | 50 KG | mm | 622 | 584 | 584 | 584 | 584 | 533 | 1067 | 1168 | 1245 | 1219 | 1219 | 914 | 286 | 330 | | | | |
| 3900-25-12 | ft | 95 | 85 | 55 | 50 | 89 LB | in | 26.5 | 25 | 25 | 25 | 25 | 21 | 18 | 22 | 25 | 24 | 24 | 12 | 11.25 | 14 | | | | |
| | m | 29 | 26 | 17 | 15 | 40 KG | mm | 673 | 635 | 635 | 635 | 635 | 533 | 457 | 559 | 635 | 610 | 610 | 305 | 286 | 356 | | | | |
| 3900-25-20 | ft | 165 | 155 | 100 | 95 | 97 LB | in | 26.5 | 25 | 25 | 25 | 25 | 21 | 26 | 30 | 33 | 32 | 32 | 20 | 11.25 | 14 | | | | |
| | m | 50 | 47 | 30 | 29 | 44 KG | mm | 673 | 635 | 635 | 635 | 635 | 533 | 660 | 762 | 838 | 813 | 813 | 508 | 286 | 356 | | | | |
| 3900-31-12 | ft | 210 | 155 | 115 | 105 | 92 LB | in | 32.5 | 31 | 31 | 31 | 31 | 24 | 18 | 22 | 25 | 24 | 24 | 12 | 11.25 | 17 | | | | |
| | m | 64 | 47 | 35 | 32 | 42 KG | mm | 826 | 787 | 787 | 787 | 787 | 610 | 457 | 559 | 635 | 610 | 610 | 305 | 286 | 432 | | | | |
| 3900-31-16 | ft | 305 | 205 | 155 | 150 | 96 LB | in | 32.5 | 31 | 31 | 31 | 31 | 24 | 22 | 26 | 29 | 28 | 28 | 16 | 11.25 | 17 | | | | |
| | m | 93 | 62 | 47 | 46 | 44 KG | mm | 826 | 787 | 787 | 787 | 787 | 610 | 559 | 660 | 737 | 711 | 711 | 406 | 286 | 432 | | | | |
| 3900-31-20 | ft | 365 | 275 | 200 | 190 | 100 LB | in | 32.5 | 31 | 31 | 31 | 31 | 24 | 26 | 30 | 33 | 32 | 32 | 20 | 11.25 | 17 | | | | |
| | m | 111 | 84 | 61 | 58 | 45 KG | mm | 826 | 787 | 787 | 787 | 787 | 610 | 660 | 762 | 838 | 813 | 813 | 508 | 286 | 432 | | | | |

Refer to page 28 to build a representative model number. Final part number assigned upon quote.

Heavy Duty Large Frame Reels

Nordic Series 3900 LPG

1 1/2" or 2" fluid path for 1" through 2" I.D. hose

Rewind: Gear-drive or chain and sprocket drive powered by explosion proof A.C. or D.C. electric motor, compressed air motor or hydraulic motor.

Inlet: Full Circle® UL approved swivels available in 1", 1 1/2" and 2" as standard.

Hose Boss (optional accessory)

The Hose Boss Rewind Assist consists of a rewind switch mounted in an extended arm with two hose rollers. Assists in efficiently and safely unwinding and rewinding hose.

Built to order, not returnable.

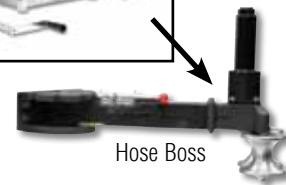
Now available in polished aluminum



Nordic Series 3900 LPG



Inset: Nordic Series 3900 LPG with optional Hose Boss



Hose Boss

Heavy Duty Spring Retractable Reels

Series 80000/D80000 - 1/2", 3/4", 1" I.D.

OPTIONS

Choose a reel model from the chart below, then use the suffix codes below to choose a flange/end plate material.

LP82000 OL

| Flange/End Plate Material | |
|---------------------------|-----------------|
| S | Stainless Steel |
| P | Carbon Steel |



Hose not included

Series 80000 Carbon steel With Full Circle® swivel

Made in USA

| Model | Hose I.D. | Hose O.D. | | Capacity | | Pressure | | Weight | | A | | B | | C | | D | | E | | F | |
|---|-----------|-----------|----|----------|----|----------|-----|--------|----|--------|-----|----|-----|--------|-----|-------|-----|--------|-----|--------|-----|
| | in mm | in | mm | ft | m | psi | bar | lbs | kg | in | mm | in | mm | in | mm | in | mm | in | mm | in | mm |
| Series 80000 / D80000: Spring Driven Reels | | | | | | | | | | | | | | | | | | | | | |
| LP82000 OL <input type="checkbox"/> * | 1/2 13 | .845 | 21 | 100 | 30 | 300 | 21 | 82 | 37 | 25 3/8 | 645 | 24 | 610 | 10 | 254 | 6 | 152 | 15 3/8 | 391 | 8 1/8 | 206 |
| LP83000 OL <input type="checkbox"/> * | 3/4 19 | 1.188 | 30 | 50 | 15 | 500 | 35 | 82 | 37 | 25 3/8 | 645 | 24 | 610 | 10 | 254 | 6 | 152 | 15 3/8 | 391 | 8 1/8 | 206 |
| LPD83000 OL <input type="checkbox"/> * | 3/4 19 | 1.188 | 30 | 75 | 23 | 500 | 35 | 77 | 35 | 25 3/8 | 645 | 24 | 610 | 10 1/2 | 267 | 7 7/8 | 200 | 17 3/4 | 451 | 10 3/8 | 264 |
| LPD84000 OL <input type="checkbox"/> * | 1 25 | 1.500 | 38 | 50 | 15 | 500 | 35 | 77 | 35 | 25 3/8 | 645 | 24 | 610 | 10 1/2 | 267 | 7 7/8 | 200 | 17 7/8 | 454 | 10 3/8 | 264 |

*Choose flange/end plate material from charts above. Refer to page 13 for dimension chart.

| Hose I.D. | in | 1 | 1 1/4 | 1 1/2 | 2 | Specification - Hose Capacity and Reel Dimensions | | | | | | | | | | | |
|-------------|----|-------|-------|-------|-------|---|-------------|-------------|-----|-----|-----|-----|-----|-------|-----|---|--|
| | mm | 25 | 32 | 38 | 51 | Refer to chart on page 31 for Series 3900 LPG dimensions. | | | | | | | | | | | |
| Hose O.D. | in | 1.563 | 1.813 | 2.063 | 2.563 | Model | Hose Length | Est. Weight | A | B | C | D | E | F | G | H | |
| | mm | 40 | 46 | 52 | 65 | | | | | | | | | | | | |
| 3900-19-20* | ft | 75 | 70 | 55 | | 103 LB | in | 22.5 | 21 | 21 | 26 | 33 | 20 | 11.25 | 13 | | |
| | m | 23 | 21 | 17 | | 47 KG | mm | 572 | 533 | 533 | 660 | 838 | 508 | 286 | 330 | | |
| 3900-23-16* | ft | 125 | 90 | 75 | | 100 LB | in | 24.5 | 23 | 21 | 22 | 29 | 16 | 11.25 | 13 | | |
| | m | 38 | 27 | 23 | | 45 KG | mm | 622 | 584 | 533 | 559 | 737 | 406 | 286 | 330 | | |
| 3900-23-20* | ft | 160 | 125 | 100 | | 105 LB | in | 24.5 | 23 | 21 | 26 | 33 | 20 | 11.25 | 13 | | |
| | m | 49 | 38 | 30 | | 48 KG | mm | 622 | 584 | 533 | 660 | 838 | 508 | 286 | 330 | | |
| 3900-23-24* | ft | 200 | 150 | 125 | | 110 LB | in | 24.5 | 23 | 21 | 30 | 37 | 24 | 11.25 | 13 | | |
| | m | 61 | 46 | 38 | | 50 KG | mm | 622 | 584 | 533 | 762 | 940 | 610 | 286 | 330 | | |
| 3900-25-14* | ft | 150 | 100 | 65 | | 102 LB | in | 26.5 | 25 | 21 | 20 | 27 | 14 | 11.25 | 14 | | |
| | m | 46 | 30 | 20 | | 46 KG | mm | 673 | 635 | 533 | 508 | 686 | 356 | 286 | 356 | | |
| 3900-25-18* | ft | 200 | 150 | 80 | | 105 LB | in | 26.5 | 25 | 21 | 24 | 31 | 18 | 11.25 | 14 | | |
| | m | 61 | 46 | 24 | | 48 KG | mm | 673 | 635 | 533 | 610 | 787 | 457 | 286 | 356 | | |
| 3900-23-26* | ft | | | 90 | 35 | 112 LB | in | 24.5 | 23 | 21 | 32 | 39 | 26 | 15 | 13 | | |
| | m | | | 27 | 11 | 51 LG | mm | 622 | 584 | 533 | 813 | 991 | 660 | 381 | 330 | | |
| 3900-31-12* | ft | | | 90 | 50 | 102 LB | in | 32.5 | 31 | 24 | 18 | 25 | 12 | 15 | 17 | | |
| | m | | | 27 | 15 | 46 KG | mm | 826 | 787 | 610 | 457 | 635 | 305 | 381 | 432 | | |
| 3900-31-22* | ft | | | 185 | 110 | 115 LB | in | 32.5 | 31 | 24 | 28 | 35 | 22 | 15 | 17 | | |
| | m | | | 56 | 34 | 52 KG | mm | 826 | 787 | 610 | 711 | 889 | 559 | 381 | 432 | | |

*Refer to page 28 to build a representative model number including LPG swivel. Refer to charts on page 13 and 31 for dimensions.

Heavy Duty Large Frame Reels Nordic Series 3700 & 5900

2", 3" or 4" fluid path for 1½" through 4" I.D. hose

Rewind: Gear-drive crank rewind or chain and sprocket drive powered by A.C. or D.C. electric motor, compressed air motor or hydraulic motor.

Inlet: 2" (Series 3700) / 3" (Series 5900) straight grooved fitting is standard. 4" (Series 5900) 90° grooved fitting and 24" diameter drum is standard. 90° grooved fitting swivel joint available at extra cost.

Gooseneck: 2" (Series 3700) / 3" (Series 5900) / 4" (Series 5900) female NPT. Other sizes and/or threads can be furnished and must be specified.

Series 5900 product temperatures from -50 °F to +400 °F and standard pressures to 300 psi. Series 3700 standard seals maximum temperature 174 °F (79 °C) and minimum temperature -20 °F (-29 °C). Extreme temperature seals maximum temperature 400 °F (204 °C) and minimum temperature -50 °F (-45 °C).



Built to order, not returnable.

Series 3700 and 5900 are shown with optional bevel crank.



Nordic Series 3700



Nordic Series 5900

**1/2" pitch chain
now standard**

Standard pressures to 300 psi. Other temperatures or pressures can be furnished at extra cost, consult manufacturer. The standard color for this series is red or gray. Add 12" to B dimension when crank is in rewind position.

| Hose I.D. | in mm | 1 1/2 | 2 | 2 1/2 | 3 | 4 | Specification - Hose Capacity and Reel Dimensions | | | | | | | | | | | | | | | | |
|------------|----------|-------------|-------|-------|------|------|---|----|-------|-------|-------|-------|-----|-----|------|------|-------|-------|-----|-----|-----|--|--|
| | | 38 | 51 | 64 | 76 | 102 | KEY: CRK = hand crank; ELC = electric motor; HYD = hydraulic motor; AIR = air motor | | | | | | | | | | | | | | | | |
| Hose O.D. | in mm | 2.063 | 2.563 | 3.188 | 3.75 | 4.75 | Est. Weight | A | B CRK | B ELC | B AIR | B HYD | C | D | CRK | ELC | E AIR | E HYD | F | G | H | | |
| Model | | Hose Length | | | | | | | | | | | | | | | | | | | | | |
| 3700-23-20 | ft | 65 | 25 | | | | 114 LB | in | 24.5 | 23 | 23 | 23 | 21 | 26 | 30 | 33 | 32 | 32 | 20 | 15 | 13 | | |
| | m | 20 | 8 | | | | 52 KG | mm | 622 | 584 | 584 | 584 | 533 | 660 | 762 | 838 | 813 | 813 | 508 | 381 | 330 | | |
| 3700-25-20 | ft | 65 | 55 | | | | 124 LB | in | 26.5 | 25 | 25 | 25 | 21 | 26 | 30 | 33 | 32 | 32 | 20 | 15 | 14 | | |
| | m | 20 | 17 | | | | 56 KG | mm | 673 | 635 | 635 | 635 | 533 | 660 | 762 | 838 | 813 | 813 | 508 | 381 | 356 | | |
| 3700-25-24 | ft | 80 | 65 | | | | 128 LB | in | 26.5 | 25 | 25 | 25 | 21 | 30 | 34 | 37 | 36 | 36 | 24 | 15 | 14 | | |
| | m | 24 | 20 | | | | 58 KG | mm | 673 | 635 | 635 | 635 | 533 | 762 | 864 | 940 | 914 | 914 | 610 | 381 | 356 | | |
| 3700-25-32 | ft | 115 | 90 | | | | 136 LB | in | 26.5 | 25 | 25 | 25 | 21 | 38 | 42 | 45 | 44 | 44 | 32 | 15 | 14 | | |
| | m | 35 | 27 | | | | 62 KG | mm | 673 | 635 | 635 | 635 | 533 | 965 | 1067 | 1143 | 1118 | 1118 | 813 | 381 | 356 | | |
| 3700-31-12 | ft | 90 | 50 | | | | 134 LB | in | 32.5 | 31 | 31 | 31 | 24 | 18 | 22 | 25 | 24 | 24 | 12 | 15 | 17 | | |
| | m | 27 | 15 | | | | 61 KG | mm | 826 | 787 | 787 | 787 | 610 | 457 | 559 | 635 | 610 | 610 | 305 | 381 | 432 | | |
| 3700-31-20 | ft | 165 | 90 | | | | 142 LB | in | 32.5 | 31 | 31 | 31 | 24 | 26 | 30 | 33 | 32 | 32 | 20 | 15 | 17 | | |
| | m | 50 | 27 | | | | 64 KG | mm | 826 | 787 | 787 | 787 | 610 | 660 | 762 | 838 | 813 | 813 | 508 | 381 | 432 | | |
| 3700-31-26 | ft | 220 | 125 | | | | 148 LB | in | 32.5 | 31 | 31 | 31 | 24 | 32 | 36 | 39 | 38 | 38 | 26 | 15 | 17 | | |
| | m | 67 | 38 | | | | 67 KG | mm | 826 | 787 | 787 | 787 | 610 | 813 | 914 | 991 | 965 | 965 | 660 | 381 | 432 | | |
| 3700-39-16 | ft | 225 | 140 | | | | 182 LB | in | 40.5 | 39 | 39 | 39 | 24 | 22 | 26 | 29 | 28 | 28 | 16 | 15 | 21 | | |
| | m | 69 | 43 | | | | 83 KG | mm | 1029 | 991 | 991 | 991 | 610 | 559 | 660 | 737 | 711 | 711 | 406 | 381 | 533 | | |
| 3700-39-24 | ft | 350 | 220 | | | | 190 LB | in | 40.5 | 39 | 39 | 39 | 24 | 30 | 34 | 37 | 36 | 36 | 24 | 15 | 21 | | |
| | m | 107 | 67 | | | | 86 KG | mm | 1029 | 991 | 991 | 991 | 610 | 762 | 864 | 940 | 914 | 914 | 610 | 381 | 533 | | |
| 5900-31-16 | ft | | 55 | 20 | 15 | | 140 LB | in | 32.5 | 31 | 31 | 31 | 24 | 22 | 26 | 29 | 28 | 28 | 16 | 20 | 17 | | |
| | m | | 17 | 6 | 5 | | 64 KG | mm | 826 | 787 | 787 | 787 | 610 | 559 | 660 | 737 | 711 | 711 | 406 | 508 | 432 | | |
| 5900-31-24 | ft | | 85 | 30 | 25 | | 150 LB | in | 32.5 | 31 | 31 | 31 | 24 | 30 | 34 | 37 | 36 | 36 | 24 | 20 | 17 | | |
| | m | | 26 | 9 | 8 | | 68 KG | mm | 826 | 787 | 787 | 787 | 610 | 762 | 864 | 940 | 914 | 914 | 610 | 508 | 432 | | |
| 5900-31-32 | ft | | 120 | 45 | 35 | | 160 LB | in | 32.5 | 31 | 31 | 31 | 24 | 38 | 42 | 45 | 44 | 44 | 32 | 20 | 17 | | |
| | m | | 37 | 14 | 11 | | 73 KG | mm | 826 | 787 | 787 | 787 | 610 | 965 | 1067 | 1143 | 1118 | 1118 | 813 | 508 | 432 | | |
| 5900-36-12 | ft | | 60 | 30 | 30 | | 146 LB | in | 37.5 | 36 | 36 | 36 | 24 | 18 | 22 | 25 | 24 | 24 | 12 | 20 | 21 | | |
| | m | | 18 | 9 | 9 | | 66 KG | mm | 953 | 914 | 914 | 914 | 610 | 457 | 559 | 635 | 610 | 610 | 305 | 508 | 533 | | |
| 5900-36-16 | ft | | 90 | 50 | 40 | 12 | 150 LB | in | 37.5 | 36 | 36 | 36 | 24 | 22 | 26 | 29 | 28 | 28 | 16 | 20 | 21 | | |
| | m | | 27 | 15 | 12 | 4 | 68 KG | mm | 953 | 914 | 914 | 914 | 610 | 559 | 660 | 737 | 711 | 711 | 406 | 508 | 533 | | |
| 5900-39-12 | ft | | 90 | 50 | 35 | 15 | 180 LB | in | 40.5 | 39 | 39 | 39 | 24 | 18 | 22 | 25 | 24 | 24 | 12 | 20 | 21 | | |
| | m | | 27 | 15 | 11 | 5 | 82 KG | mm | 1029 | 991 | 991 | 991 | 610 | 457 | 559 | 635 | 610 | 610 | 305 | 508 | 533 | | |
| 5900-39-16 | ft | | 135 | 80 | 50 | 15 | 200 LB | in | 40.5 | 39 | 39 | 39 | 24 | 22 | 26 | 29 | 28 | 28 | 16 | 20 | 21 | | |
| | m | | 41 | 24 | 15 | 5 | 91 KG | mm | 1029 | 991 | 991 | 991 | 610 | 559 | 660 | 737 | 711 | 711 | 406 | 508 | 533 | | |
| 5900-39-24 | ft | | 200 | 120 | 65 | 25 | 210 LB | in | 40.5 | 39 | 39 | 39 | 24 | 30 | 34 | 37 | 36 | 36 | 24 | 20 | 21 | | |
| | m | | 61 | 37 | 20 | 8 | 95 KG | mm | 1029 | 991 | 991 | 991 | 610 | 762 | 864 | 940 | 914 | 914 | 610 | 508 | 533 | | |

Refer to page 28 to build a representative model number. Final part number assigned upon quote. Refer to chart on page 31 for weight adders.

Heavy Duty Large Frame Reels Petroleum Service

1 1/2" or 2" fluid path for 1 1/4" through 2" I.D. hose

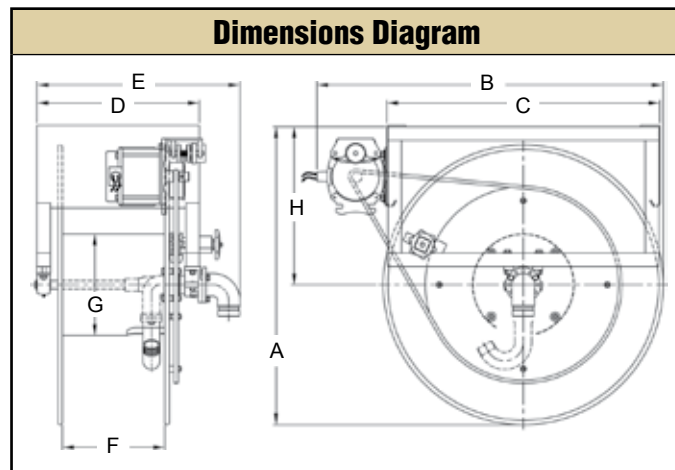
Rewind: Chain and sprocket drive powered by A.C. or D.C. electric motor, compressed air motor or hydraulic motor.
30° manual rewind assembly available at extra cost.

Inlet: 90° 2" grooved fitting is standard. Straight swivel joints may be specified at no extra cost.

Gooseneck: 1 1/4", 1 1/2" or 2" female/male NPT is available. Specify male or female fitting and hose size when ordering.

Brakes and locks: Manual friction brake and air operated caliper brake are standard.

Built to order, not returnable.



Made in USA

Standard seals maximum temperature 174 °F (79 °C) and minimum temperature -20 °F (-29 °C). Extreme temperature seals maximum temperature 400 °F (204 °C) and minimum temperature -50 °F (-45 °C). Standard pressures to 300 psi. Other temperatures or pressures can be furnished at extra cost; consult manufacturer. The standard color for this series is red or gray.

| Hose I.D. | in mm | 1 1/4 | 1 3/8 | 1 1/2 | 2 | Specification - Hose Capacity and Reel Dimensions | | | | | | | | | |
|------------|-------------|-------|-------|-------|-------------|---|----|------|------|-----|-----|-------|-----|-------|------|
| | | 32 | 35 | 38 | 51 | | | | | | | | | | |
| Hose O.D. | in mm | 1.813 | 2.000 | 2.063 | 2.563 | | | | | | | | | | |
| | | 46 | 51 | 52 | 65 | | | | | | | | | | |
| Model | Hose Length | | | | Est. Weight | A | B | C | D | E | F | G | H | | |
| 3800-31-10 | ft | 130 | 90 | 80 | | 174 LB | in | 33 | 38.5 | 30 | 16 | 20.25 | 10 | 11.25 | 17.5 |
| | m | 40 | 27 | 24 | | 79 KG | mm | 838 | 978 | 762 | 406 | 514 | 254 | 286 | 445 |
| 3800-31-12 | ft | 155 | 115 | 105 | | 176 LB | in | 33 | 38.5 | 30 | 18 | 22.25 | 12 | 11.25 | 17.5 |
| | m | 47 | 35 | 32 | | 80 KG | mm | 838 | 978 | 762 | 457 | 565 | 305 | 286 | 445 |
| 3800-31-16 | ft | 205 | 155 | 150 | | 180 LB | in | 33 | 38.5 | 30 | 22 | 26.25 | 16 | 11.25 | 17.5 |
| | m | 62 | 47 | 46 | | 82 KG | mm | 838 | 978 | 762 | 559 | 667 | 406 | 286 | 445 |
| 3800-39-7 | ft | 120 | 100 | 85 | | 212 LB | in | 41 | 43.5 | 32 | 13 | 17.25 | 17 | 11.25 | 21.5 |
| | m | 37 | 30 | 26 | | 96 KG | mm | 1041 | 1105 | 813 | 330 | 438 | 432 | 286 | 546 |
| 3800-39-9 | ft | 150 | 135 | 120 | | 214 LB | in | 41 | 43.5 | 32 | 15 | 19.25 | 9 | 11.25 | 21.5 |
| | m | 46 | 41 | 37 | | 97 KG | mm | 1041 | 1105 | 813 | 381 | 489 | 229 | 286 | 546 |
| 3800-39-11 | ft | 220 | 170 | 155 | | 216 LB | in | 41 | 43.5 | 32 | 17 | 21.25 | 11 | 11.25 | 21.5 |
| | m | 67 | 52 | 47 | | 98 KG | mm | 1041 | 1105 | 813 | 432 | 540 | 279 | 286 | 546 |
| 3800-31-13 | ft | 120 | 110 | 105 | 60 | 178 LB | in | 33 | 38.5 | 30 | 19 | 24.5 | 13 | 15 | 17.5 |
| | m | 37 | 34 | 32 | 18 | 81 KG | mm | 838 | 978 | 762 | 483 | 622 | 330 | 381 | 445 |
| 3800-39-12 | ft | 225 | 180 | 160 | 105 | 218 LB | in | 41 | 43.5 | 32 | 18 | 23.5 | 12 | 15 | 21.5 |
| | m | 69 | 55 | 49 | 32 | 99 KG | mm | 1041 | 1105 | 813 | 457 | 597 | 305 | 381 | 546 |
| 3800-39-16 | ft | 305 | 245 | 225 | 150 | 224 LB | in | 41 | 43.5 | 32 | 22 | 27.5 | 16 | 15 | 21.5 |
| | m | 93 | 75 | 69 | 46 | 102 KG | mm | 1041 | 1105 | 813 | 559 | 699 | 406 | 381 | 546 |

Refer to page 28 to build a representative model number. Final part number assigned upon quote.



Heavy Duty Single Wrap Reels Petroleum / Aviation Fuel Service

1 1/2", 2" or 3" fluid path for 1" through 3" I.D. hose

Rewind: Chain and sprocket drive powered by A.C. or D.C. electric motor, compressed air motor or hydraulic motor.

Inlet: 2" grooved fitting is standard for 1" through 2" ID hose. 3" grooved fitting is standard for 2 1/2" and 3" ID hose. 1 1/2", 2" and 3" NPT or BSPP available. 90° inlets available.

Gooseneck: 1 1/2", 2" and 3" NPT or BSPP. Specify male or female threads for gooseneck.

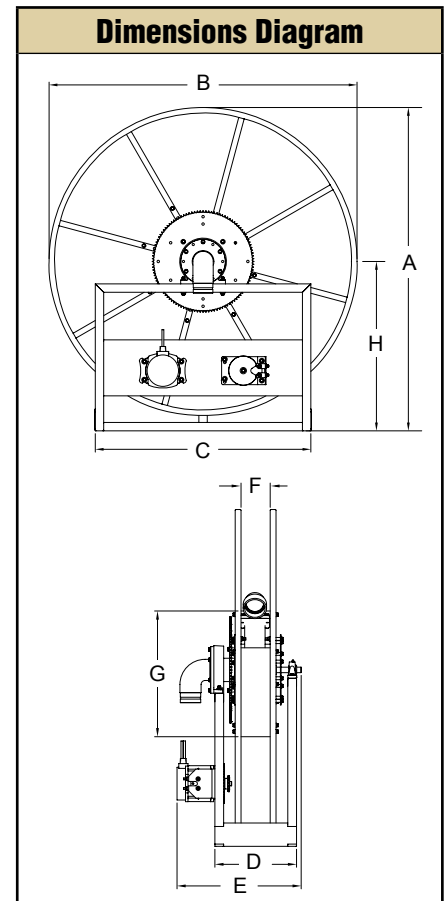
Brakes and locks: Air operated caliper brake and idler assembly is standard. Manual friction brake optional.

Materials: Standard frame and spool assembly are of heavy duty steel construction. Also available in aluminum. The standard color for this series is red or gray.

Operating pressure: 300 psi maximum. Reels to operate at other pressure ratings available at extra cost. Consult manufacturer.

Operating temperatures: Maximum 400 °F (204 °C) / minimum -50 °F (-46 °C). Reels that are to operate at other temperature ratings are available at extra cost, consult manufacturer.

Built to order, not returnable.



| Hose I.D. | in | 1 3/8 | 1 1/2 | 2 | 2 1/2 | 3 | | | | | |
|-----------|-------------|-------|-------|-------|-------|-------|----|-------|------|------|-------|
| | mm | 35 | 38 | 51 | 64 | 76 | | | | | |
| Hose O.D. | in | 2.000 | 2.063 | 2.563 | 3.063 | 3.750 | | | | | |
| | mm | 51 | 52 | 65 | 81 | 95 | | | | | |
| Model | Hose Length | | | | | | | A | B | C | H |
| 6000-47 | ft | 55 | 50 | 30 | 25 | 20 | in | 48.5 | 47 | 38.5 | 25 |
| | m | 17 | 15 | 9 | 8 | 6 | mm | 1232 | 1194 | 978 | 635 |
| 6000-55 | ft | 80 | 75 | 50 | 40 | 35 | in | 55.75 | 55 | 38.5 | 28.25 |
| | m | 24 | 23 | 15 | 12 | 11 | mm | 1416 | 1397 | 978 | 718 |
| 6000-62 | ft | 100 | 100 | 70 | 50 | 50 | in | 62.75 | 62 | 38.5 | 31.75 |
| | m | 30 | 30 | 21 | 15 | 15 | mm | 1594 | 1575 | 978 | 806 |
| 6000-68 | ft | 125 | 120 | 85 | 70 | 60 | in | 68.75 | 68 | 38.5 | 34.75 |
| | m | 38 | 37 | 26 | 21 | 18 | mm | 1746 | 1727 | 978 | 883 |
| 6000-72 | ft | 150 | 140 | 100 | 80 | 70 | in | 72.75 | 72 | 38.5 | 36.75 |
| | m | 46 | 43 | 30 | 24 | 21 | mm | 1848 | 1829 | 978 | 933 |

| Hose I.D. | Dimensions | | | | | | | |
|-----------|------------|-----|------|-----|-----|-----|----|-----|
| | D | | E | | F | | G* | |
| | in | mm | in | mm | in | mm | in | mm |
| 1 3/8" | 12 | 305 | 18.5 | 470 | 2.5 | 64 | 18 | 457 |
| 1 1/2" | 12 | 305 | 18.5 | 470 | 2.5 | 64 | 18 | 457 |
| 2" | 12 | 305 | 18.5 | 470 | 3.5 | 89 | 24 | 610 |
| 2 1/2" | 13 | 330 | 19.5 | 495 | 3.5 | 89 | 24 | 610 |
| 3" | 14 | 356 | 20.5 | 521 | 4.5 | 114 | 24 | 610 |

*Drum diameter conforms to API 1529 Appendix A.
Model numbers are representative. Final part number assigned upon quote.

Light/Medium Duty Cord Reels

Reelcraft's new line of light and medium duty cord reels are designed for less strenuous applications in which a capable and long-lasting reel is required. The reels accommodate lengths of 16/3, 14/3, 12/3, and 10/3 diameter cable.

| | | Dimensions - Size Index | | | | | | | |
|----------|--------------------------------|-------------------------|--------------------------------|-----|--|-----|--------------------------------|-----|--|
| No. | 1 | | 2 | | 3 | | 4 | | |
| | in | mm | in | mm | in | mm | in | mm | |
| A | 11 ⁷ / ₈ | 302 | 15 ¹ / ₄ | 387 | 13 ³ / ₄ | 349 | 17 ³ / ₄ | 451 | |
| B | 9 ¹ / ₄ | 235 | 11 ¹ / ₂ | 292 | 11 | 279 | 17 ¹ / ₄ | 438 | |
| C | 3 ³ / ₄ | 95 | 5 | 127 | 8 ³ / ₄ | 222 | 11 ¹ / ₈ | 283 | |
| D | 2 ³ / ₄ | 98 | 9 ³ / ₁₆ | 233 | 1/4" mounting holes. If reels are to be mounted more than 15' overhead, consult manufacturer. | | | | |
| E | 2 | 51 | 3 | 76 | | | | | |
| F | 1 ⁷ / ₈ | 48 | 5 ¹ / ₂ | 139 | | | | | |
| G | 7 ⁷ / ₁₆ | 11 | 9 ⁹ / ₁₆ | 14 | | | | | |
| H | N/A | | 1 ⁵ / ₈ | 41 | | | | | |

Series LD Cord Reels

Designed for overhead mounting, these reels are compact, feature a powder coated steel housing, adjustable cable stop and a resettable circuit breaker.

| Model with Cord | Cord Ending | Cord Specifications | | | | | | Volts | Amps | Weight | | Size Index # |
|-----------------|-------------|---------------------|------|--------|----|----|------|-------|------|--------|----|--------------|
| | | AWG | mm | # Cond | ft | m | Type | | | lbs | kg | |
| LD2040 163 2* | Style 2 | 16 | 1.33 | 3 | 40 | 12 | SJTW | 120 | 0.3 | 11 | 5 | 1 |
| LD2030 163 9 | Style 9 | 16 | 1.33 | 3 | 30 | 9 | SJTW | 125 | 10 | 8 | 4 | 1 |
| LD2030 143 9 | Style 9 | 14 | 2.08 | 3 | 30 | 9 | SJTW | 125 | 13 | 9 | 4 | 1 |

*Requires a minimum of five feet hanging cable (outside reel). Designed for ceiling mount.

Series LG Cord Reels

The medium duty Series LG cord reels are constructed from high-impact resistant composite materials to be lighter and compact. They may be mounted overhead, on a wall or detached from the mounting bracket completely. They also feature an adjustable cable stop and a circuit breaker that can be reset.

| Model with Cord | Cord Ending | Cord Specifications | | | | | | Volts | Amps | Weight | | Size Index # |
|-----------------|-------------|---------------------|------|--------|----|----|------|-------|------|--------|----|--------------|
| | | AWG | mm | # Cond | ft | m | Type | | | lbs | kg | |
| LG3050 163 8* | Style 8 | 16 | 1.33 | 3 | 50 | 15 | SJTW | 120 | 10 | 13 | 6 | 2 |
| LG3050 143 9 | Style 9 | 14 | 2.08 | 3 | 50 | 15 | SJTW | 125 | 13 | 14 | 6 | 2 |
| LG3040 123 9 | Style 9 | 12 | 3.32 | 3 | 40 | 12 | SJTW | 125 | 15 | 14 | 6 | 2 |

*Requires a minimum of five feet hanging cable (outside reel).

Series LH Hand Crank Reels

Designed with the contractor in mind, Series LH medium duty hand crank reels are portable and deliver power where and when it is necessary. They feature four circuit breaker protected outlets and a corrosion resistant powder coating.

| Model with Cord* | Cord Ending | Cord Specifications | | | | | | Volts | Amps | Weight | | Size Index # |
|------------------|-------------|---------------------|------|--------|-----|----|------|-------|------|--------|----|--------------|
| | | AWG | mm | # Cond | ft | m | Type | | | lbs | kg | |
| LH2080 143 | 4 Outlets | 14 | 2.08 | 3 | 80 | 24 | SJTW | 125 | 10 | 15 | 7 | 3 |
| LH3100* | 4 Outlets | 10 | 5.37 | 3 | 100 | 30 | STW | 125 | 15 | 13 | 6 | 4 |

*Does not include cord

Cord Options



Style #2

13 watt fluorescent light features a durable shock-resistant lamp holder and shatter-resistant tube with switch.

Style #8

13 watt fluorescent light features an on/off switch on the handle and an outlet.



Style #9

Triple outlet with grounded receptacles. For maximum ratings, consult manufacturer.



Light duty
LD2030 143 9

Light duty
LD2040 163 2



Light duty
LD2030 163 9



Medium duty
LG3050 163 8



Medium duty
LG3050 143 9



Portable power
LH2080 143



Portable Power
LH3100

Products on this page are warranted for 1 year.

Light cord reels are UL listed for the United States. Power cord reels and hand crank reels are UL listed for United States and Canada.

Better by Design

- All models supplied with cord are complete with approximately 4-5 foot pigtail and three-prong plug
- Adjustable cord stop supplied on models with cord

Adjustable Bumper Stop

Allows any desired length of cord to be maintained outside the reel.

Corrosion-Resistant

Steel components are individually powder coated to virtually eliminate corrosion.

Reelcraft offers many styles of outlets and lamps

- Single receptacle
- Duplex outlet box
- Triple tap
- R.V. plug
- Fluorescent
- Incandescent
- LED
- Flying lead

Easy to Mount

Attaches to most structurally sound surfaces. Edges are curved for safety.

Note: Swing brackets should be used if cords are pulled at more than 45°, see page 47.



Adjustable Guide Arm

Multiple guide arm positions for versatile uses and easier field adjustment.

Enclosed Drive Spring

Drive mechanism is enclosed for protection against the environment.

Long Life Drive Spring

Declutching arbor virtually eliminates possibility of spring damage due to reverse winding of reel spool.



Structural Strength

Robotically welded heavy gauge steel frame.



Model Number Significance

This chart is for reference purposes only. Reels cannot be ordered by selecting from this chart. Please refer to selection charts on pages 38-39 or consult manufacturer for any questions about option combinations.

| Model | Outside Dia. of Cord | Cord Specifications | | | |
|------------|----------------------|---------------------|-----------------|---------|------|
| | | AWG | mm ² | # Cond. | Type |
| 600193 | .320" - .530" | 16 | 1.33 | 3 | SJO |
| 1-HR1004-A | .438" - .624" | 12 | 3.32 | 3 | SJO |
| 600267 | .645" | 10 | 5.37 | 3 | SO |
| 1-HR1004 | .625" - .749" | 12 | 3.32 | 3 | SO |
| 3-HR1004-3 | 1.06" - 1.30" | 6 | 8.00 | 3 | SO |

POWER AND LIGHT CORD REELS

FOR REFERENCE ONLY

L 4 0 5 0 1 6 3 3

REEL SERIES

- 40 = 4000 SERIES
- 45 = 4500 SERIES
- 55 = 5500 SERIES
- 57 = 5700 SERIES
- 70 = 7000 SERIES

WIRE SIZE

- 10 = 10 GAUGE
- 12 = 12 GAUGE
- 16 = 16 GAUGE

LENGTH OF CORD

- 00 = W/O CORD
- 35 = 35 FEET
- 45 = 45 FEET
- 50 = 50 FEET

NO. OF CONDUCTORS

- 2 = TWO CONDUCTOR
- 3 = THREE CONDUCTOR
- 4 = FOUR CONDUCTOR

STYLE NUMBERS

- NONE = OPEN END
- 1 = INCANDESCENT LAMP
- 2 = FLUORESCENT LAMP
- 3 = SINGLE RECEPTACLE
- 4 = R.V. PLUG (M)
- 5 = INCANDESCENT NON-SPARKING
- 6x = FLUORESCENT EXPLOSION PROOF
- 7 = DUPLEX OUTLET BOX (F)
- 8 = FLUORESCENT WITH OUTLET
- 9 = TRI TAP
- 10 = LED LAMP
- X = FLYING LEAD

Power and Light Cord Reels | Series L4000 / L5000 / L7000

Made

in USA

Heavy duty
triple receptacle
L 4545 123 9G
NEW!



Heavy duty
flying lead
L 4050 163 X










Heavy duty GFCI
duplex outlet box
L 4545 123 7

- ✓ Compact for critical space requirements
- ✓ Durable abrasion and corrosion resistant baked-on powder coat finish
- ✓ Engineered for industrial use
- ✓ All models supplied with cord are complete with approximately 4-5 foot pigtail and three-prong plug
- ✓ Adjustable cord stop
- ✓ Wall, ceiling or bench mount

| Model with Cord | Cord Ending | Cord Specifications | | | | Volts | Amps | Shipping Weight | | Size Index # |
|-----------------|-------------------------------|---------------------|------|---------|-------|--------|------|-----------------|-------|--------------|
| | | AWG | mm | # Cond. | ft m | | | Type | lbs | |
| L 4035 163 3 | Single Receptacle | 16 | 1.33 | 3 | 35 11 | SJTOW | 125 | 13 | 25 11 | 1 |
| L 4050 163 3 | Single Receptacle | 16 | 1.33 | 3 | 50 15 | SJTOW | 125 | 13 | 26 12 | 1 |
| L 4545 123 3 | Single Receptacle | 12 | 3.32 | 3 | 45 14 | SJEOOW | 125 | 15 | 27 12 | 1 |
| L 5550 123 3 | Single Receptacle | 12 | 3.32 | 3 | 50 15 | SJEOOW | 125 | 15 | 44 20 | 3 |
| L 4545 123 3A | Single Connector | 12 | 3.32 | 3 | 45 14 | SJEOOW | 125 | 20 | 28 13 | 1 |
| L 5550 123 3A | Single Connector | 12 | 3.32 | 3 | 50 15 | SJEOOW | 125 | 20 | 44 20 | 3 |
| L 4545 123 3B | Twist Lock Connector | 12 | 3.32 | 3 | 45 14 | SJEOOW | 125 | 20 | 28 13 | 1 |
| L 5550 123 3B | Twist Lock Connector | 12 | 3.32 | 3 | 50 15 | SJEOOW | 125 | 20 | 44 20 | 3 |
| L 5750 103 4 | R.V. Plug | 10 | 5.37 | 3 | 50 15 | SOOW | 125 | 30 | 50 23 | 4 |
| L 4545 123 7 | Duplex Outlet Box w/GFCI (F)* | 12 | 3.32 | 3 | 45 14 | SJEOOW | 125 | 15 | 29 13 | 1 |
| L 4545 123 7A | Duplex Outlet Box w/GFCI (F)* | 12 | 3.32 | 3 | 45 14 | SJEOOW | 125 | 20 | 29 13 | 1 |
| L 4545 123 7B | Duplex Outlet Box | 12 | 3.32 | 3 | 45 14 | SJEOOW | 125 | 20 | 29 13 | 1 |
| L 5550 123 7 | Duplex Outlet Box w/GFCI (F)* | 12 | 3.32 | 3 | 50 15 | SEOOOW | 125 | 15 | 45 20 | 3 |
| L 4050 163 9 | Triple Tap | 16 | 1.33 | 3 | 50 15 | SJEOOW | 125 | 13 | 26 12 | 1 |
| L 4545 123 9 | Triple Tap | 12 | 3.32 | 3 | 45 14 | SJEOOW | 125 | 15 | 28 13 | 1 |
| L 4545 123 9G | Triple Tap w/GFCI(F) | 12 | 3.32 | 3 | 45 14 | SJEOOW | 125 | 15 | 29 13 | 1 |

For indoor non-weather tight applications only. All models UL listed at 125 Volt 60 Hz single phase. *The GFCI Receptacle is designed to protect from line-to-ground shock hazards. The Ground Fault Circuit Interrupter does not protect against short circuits or overloads; this is the function of the fuse or circuit breaker. Reference page 6 for guide arm positions. **NOTE:** Swing brackets should be used if cords are pulled at more than 45°.

Cord Options

| | |
|--|--|
|  | #3 - Single Receptacle Single 15 AMP receptacle with clamp type strain relief available for both 16 AWG and 12 AWG cord. |
|  | #3A - Single Receptacle Single 20 AMP receptacle. |
|  | #3B - Single Receptacle Single 20 AMP receptacle with twist lock connector. |
|  | #4 - R.V. Plug Male rubber plug used with recreational vehicles (RV's). |
|  | #7 / 7A / 7B - Duplex Outlet Box Duplex outlet box with flip-top lid. GFCI protection on #7 and 7A. |
|  | #9 / 9G - Triple Tap NEW! Molded triple tap. GFCI protection on #9G. |
|  | X - Flying Lead Bare cord/cable endings and conduit box. |

| Flying Lead Model with Cord | Model No Cord | Cord Specifications | | | | Volts/ Amps | Volts/ Amps | Shipping Weight* | | Size Index # |
|-----------------------------|---------------|---------------------|------|---------|-------|-------------|-------------|------------------|-------|--------------|
| | | AWG | mm | # Cond. | ft m | | | Type | lbs | |
| L 4050 163 X | L 4000 | 16 | 1.33 | 3 | 50 15 | SJEOOW | 125 / 13 | 22 10 | 1 | |
| ----- | L 4100 | 16 | 1.33 | 4 | 40 12 | SJEOOW | 125 / 13 | 22 10 | 1 | |
| L 4545 123 X | L 4500 | 12 | 3.32 | 3 | 45 14 | SJEOOW | 125 / 20 | 22 10 | 1 | |
| ----- | L 5000 | 10 | 5.27 | 3 | 35 11 | SO | 125 / 30 | 22 10 | 1 | |
| ----- | L 5400 | 12 | 3.32 | 3 | 35 11 | SJEOOW | 125 / 13 | 25 11 | 2 | |
| L 5550 123 X | L 5500 | 12 | 3.32 | 3 | 50 15 | SEOOOW | 125 / 20 | 35 16 | 3 | |
| L 5550 124 X | ----- | 12 | 3.32 | 4 | 50 15 | SEOOOW | ----- | 600 / 16 | 44 20 | 3 |
| L 5750 103 X | L 5700 | 10 | 5.27 | 3 | 50 15 | SEOOOW | 125 / 30 | 220 / 15 | 37 17 | 4 |
| ----- | L 7000 | 16 | 1.33 | 4 | 35 11 | SOOW | ----- | 220 / 45 | 41 19 | ** |
| L 7050 104 X | ----- | 10 | 5.27 | 4 | 50 15 | SEOOOW | ----- | 600 / 20 | 65 29 | ** |

For indoor non-weather tight applications only. All models UL listed at 125 Volt 60 Hz single phase. *Weight of model without cord. **Refer to reelcraft.com.

Available
Options

Mounting
Brackets
See page 47



Replacement
Bumpers
See page 49



Power and Light Cord Reels | Series L4000 / L5000 / L7000

| Diagram | Dimensions - Size Index | | | | | | | |
|----------|--------------------------------|-----|--------------------------------|-----|--------------------------------|-----|--------------------------------|-----|
| | 1 | | 2 | | 3 | | 4 | |
| | in | mm | in | mm | in | mm | in | mm |
| A | 13 ¹ / ₄ | 337 | 14 ¹ / ₂ | 368 | 17 ¹ / ₂ | 445 | 17 ¹ / ₂ | 445 |
| B | 12 ⁵ / ₈ | 321 | 13 ¹ / ₂ | 343 | 16 ¹ / ₂ | 419 | 16 ¹ / ₂ | 419 |
| C | 8 | 203 | 9 ³ / ₄ | 248 | 9 ³ / ₄ | 248 | 9 ³ / ₄ | 248 |
| D | 2 ¹ / ₂ | 64 | 2 ¹ / ₂ | 64 | 2 ¹ / ₂ | 64 | 2 ¹ / ₂ | 64 |
| E | 9 ³ / ₈ | 239 | 10 ¹ / ₂ | 267 | 10 ¹ / ₂ | 267 | 12 ¹ / ₂ | 318 |
| F | 1 ³ / ₄ | 44 | 2 ¹ / ₈ | 54 | 2 ¹ / ₈ | 54 | 2 ¹ / ₈ | 54 |



Made in USA



| Model with Cord | Cord Ending | Cord Specifications | | | | | Volts | Amps | Shipping Weight | | Size Index # | |
|-------------------|------------------------------|---------------------|------|--------|----|----|--------|------|-----------------|-----|--------------|----|
| | | AWG | mm | # Cond | ft | m | | | Type | lbs | | kg |
| L 4035 163 1 | *Incandescent | 16 | 1.33 | 3 | 35 | 11 | SJTOW | 125 | 13 | 23 | 10 | 1 |
| L 4050 163 1 | *Incandescent | 16 | 1.33 | 3 | 50 | 15 | SJTOW | 125 | 13 | 27 | 12 | 1 |
| L 4035 A 163 5** | *Incandescent | 16 | 1.33 | 3 | 35 | 11 | SJE00W | 125 | 13 | 25 | 11 | 1 |
| L 4050 A 163 5** | *Incandescent | 16 | 1.33 | 3 | 50 | 15 | SJE00W | 125 | 13 | 28 | 13 | 1 |
| L 5245 A 163 6X** | Fluorescent | 16 | 1.33 | 3 | 45 | 14 | SE00W | 125 | 0.3 | 39 | 18 | 2 |
| L 4035 162 2 | Fluorescent | 16 | 1.33 | 2 | 35 | 11 | SJTOW | 125 | 0.3 | 25 | 11 | 1 |
| L 4050 162 2 | Fluorescent | 16 | 1.33 | 2 | 50 | 15 | SJTOW | 125 | 0.3 | 26 | 12 | 1 |
| L 4035 163 8 | Fluorescent Light and Outlet | 16 | 1.33 | 3 | 35 | 11 | SJTO | 125 | 10 | 25 | 11 | 1 |
| L 4050 163 8 | Fluorescent Light and Outlet | 16 | 1.33 | 3 | 50 | 15 | SJTO | 125 | 10 | 27 | 12 | 1 |
| L 4035 163 10 | LED | 16 | 1.33 | 3 | 35 | 11 | SJTOW | 125 | 13 | 26 | 12 | 1 |
| L 4050 163 10 | LED | 16 | 1.33 | 3 | 50 | 15 | SJTOW | 125 | 13 | 28 | 13 | 1 |

For indoor non-weather tight applications only. *Incandescent bulb 75 watt max. Series L4000 and L5000 models UL listed at 125 Volt 60 HZ single phase. **Models equipped with automatic on/off switch that activates power. **NOTE:** Swing brackets should be used if cords are pulled at more than 45°.

Auto-Switch Light Cord Reels

Models equipped with an automatic on/off switch incorporate a guide arm-mounted switch that activates power with a pull of the cord.



Note: Reel is not explosion proof



Fluorescent Hand Lamp - order model 1 163 3 8

- One foot #16/3 conductor SJTOW-A yellow cord with molded NEMA 5-15P plug
- SAF-T-TIE keeps the light plugged into receptacle

| | |
|--|--|
| | <p>#1 - Incandescent Light</p> <ul style="list-style-type: none"> • Single receptacle tool tap • Push-through switch • Metal grounded guard |
| | <p>#2 - Fluorescent Light</p> <ul style="list-style-type: none"> • Durable shock absorbing lamp holder • Shatter-resistant tube with switch |
| | <p>#5 - Incandescent Light</p> <ul style="list-style-type: none"> • Rubber handle with vinyl-coated cage w/o switch or receptacle • Automatic on/off switch at reel guide arm • Complies with NEC #511-3, f., portable lighting equipment; meets OSHA requirements |
| | <p>#6 - Fluorescent Light</p> <ul style="list-style-type: none"> • Explosion proof 13 watt fluorescent hand lamp • Automatic on/off switch at reel guide arm • Suitable for Class 1, group C and D locations Note: Reel is not explosion-proof. |
| | <p>#8 - Fluorescent Light</p> <ul style="list-style-type: none"> • 120 V - 15 Amp receptacle is located in line on lamp handle • Scratch guard protects lamp cover |
| | <p>NEW!</p> <p>#10 - LED Light</p> <ul style="list-style-type: none"> • Eight ultra high intensity 1/2 watt LEDs • Polycarbonate shatter-resistant light tube |

High Capacity Cable Reels Nordic Series CR2400/CR3100 for 3-conductor service



Nordic
Series CR3100

Series CR2400 - Direct crank rewind or chain and sprocket drive powered by A.C. or D.C. electric motor or compressed air motor. An adjustable spring drag device is used to brake the reel.

Series CR3100 - Powered by a rugged spring protected by a tamperproof housing, a ratchet mechanism locks on payout of cable, but is easily disengaged with a pull to provide rewind.

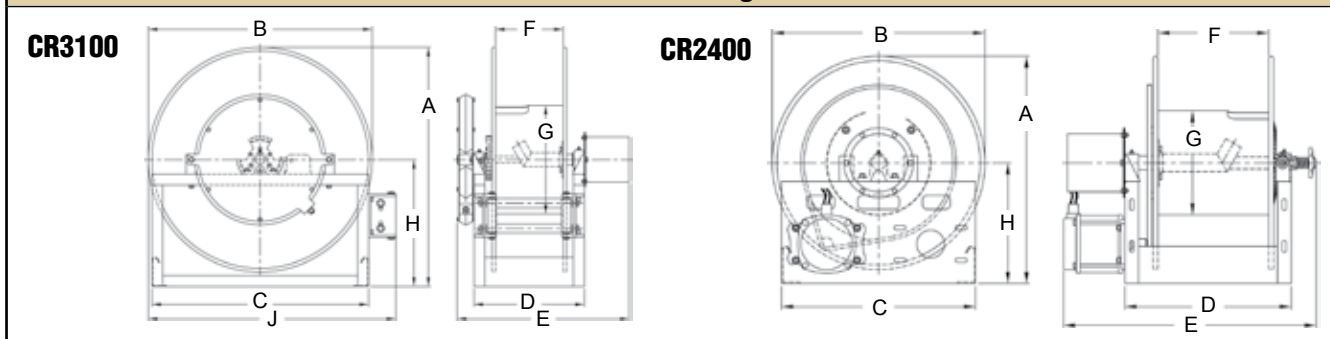
Cable rollers: Series CR3100 models supplied with a 4-way roller guide assembly. Roller guide supplied with Series CR2400 models at extra cost. Roller position must be specified. If not specified, bottom wind will be supplied. Can be supplied or installed, consult manufacturer.

Note: A cable stop should be used to prevent damage to rollers and to permit adjustment of free cable length.

Many more sizes, from standard components, available on request. Consult manufacturer.

Built to order, not returnable.

Dimensions Diagram



| Gauge / No. of Conductors | | 16/3 | 14/3 | 12/3 | 10/3 | 8/3 | Specifications - Cable Capacity and Reel Dimensions | | | | | | | | | | | | | | | | |
|--|----|------|------|------|------|------|---|-------|-------|-------|--|------|------|-------|-----|-----|------|-------|-----|-------|-----|------|------|
| Cable O.D. | | in | .375 | .530 | .580 | .705 | .750 | 1.000 | 1.250 | 1.500 | "E" dimension based on three conductor slip ring | | | | | | | | | | | | |
| | | mm | 10 | 13 | 15 | 18 | 19 | 25 | 32 | 38 | Est. Weight | A | B | B PWR | C | D | E | E PWR | F | G | H | J | |
| Spring Driven Reels | | | | | | | | | | | | | | | | | | | | | | | |
| CR3100-23-4 | ft | 85 | 85 | 100 | 100 | 90 | | | | | 92 LB | in | 24.5 | 23 | | 21 | 9 | 18 | | 4 | 15 | 13 | 26 |
| | m | 26 | 26 | 30 | 30 | 27 | | | | | 42 KG | mm | 622 | 584 | | 533 | 229 | 457 | | 102 | 381 | 330 | 660 |
| CR3100-25-4 | ft | 95 | 100 | 100 | 100 | 100 | | | | | 97 LB | in | 26.5 | 25 | | 21 | 9 | 18 | | 4 | 15 | 14 | 27 |
| | m | 29 | 30 | 30 | 30 | 30 | | | | | 44 KG | mm | 673 | 635 | | 533 | 229 | 457 | | 102 | 381 | 356 | 686 |
| CR3100-31-4 | ft | 120 | 120 | 130 | 130 | 130 | | | | | 118 LB | in | 33 | 31 | | 30 | 9.25 | 19 | | 4 | 20 | 17.5 | 34.5 |
| | m | 37 | 37 | 40 | 40 | 40 | | | | | 54 KG | mm | 838 | 787 | | 762 | 235 | 483 | | 102 | 508 | 445 | 876 |
| Hand Crank / Motor Driven Reels | | | | | | | | | | | | | | | | | | | | | | | |
| CR2400-23-12 | ft | 1900 | 930 | 775 | 520 | 430 | 240 | 155 | 105 | 72 LB | in | 24.5 | 23 | 23 | 21 | 18 | 29 | 29 | 12 | 11.25 | 13 | | |
| | m | 579 | 283 | 236 | 158 | 131 | 73 | 47 | 32 | 33 KG | mm | 622 | 584 | 584 | 533 | 457 | 737 | 737 | 305 | 286 | 330 | | |
| CR2400-31-8 | ft | 2700 | 1350 | 1100 | 750 | 660 | 360 | 185 | 135 | 79 LB | in | 32.5 | 31 | 31 | 24 | 14 | 25 | 25 | 8 | 11.25 | 17 | | |
| | m | 823 | 411 | 335 | 229 | 201 | 110 | 56 | 41 | 36 KG | mm | 826 | 787 | 787 | 610 | 356 | 635 | 635 | 203 | 286 | 432 | | |

Model numbers are representative. Final part number assigned upon quote.

Heavy Duty Cord and Cable Storage Reels

Hand Crank, Bevel Crank & Motor Driven

Keep long lengths of expensive electrical cord off the ground and out of harm's way with Reelcraft's expanded Series 30000 line, which includes cable storage reels and live power cord. The reels are designed to handle long lengths of 10/3, 12/3 and 16/3 cable.

Reelcraft's Series 30000 storage reels and live power cord reels are constructed of heavy gauge steel and are assembled with vibration-proof, self-locking fasteners to ensure assembly integrity. They undergo a five-stage cleaning process and are individually powder-coated for the highest quality, corrosion-resistant paint adhesion. Suited for indoor, non weather-tight applications only.

Cord/Cable Storage Reels

Cord and cable storage reels are used for storage, unwinding, and winding of conductive cord/cable. The reel is not intended to be live and the power source must be disconnected while reeling/de-reeling to avoid twisting the wires. Series 30000 cable storage reels are available in hand crank only.



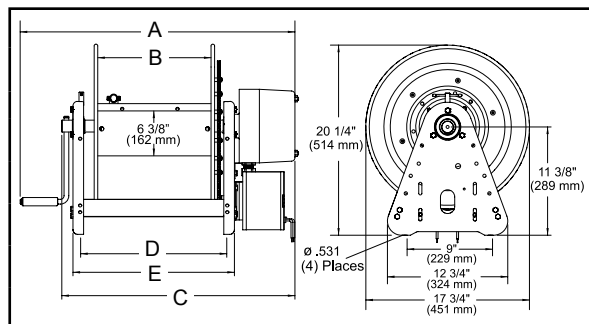
CA30112-CS
Cable not included.

Live Power Cord Reels

Live power cord reels have collector rings that allow the reel to wind/unwind the cord/cable with live current without twisting the wires. Live reels offer the advantage of using a reel as an effective piece of operating equipment rather than a simple device for the storage of cable or cord. Series 30000 live power cord reels are available in direct hand crank, bevel gear crank or electric motor-driven rewind.



LE312 123 12D



| | | Dimensions - Size Index | | | | | | | | | |
|----------|--|--------------------------------|-----|--------------------------------|-----|--------------------------------|-----|--------------------------------|-----|--------------------------------|-----|
| | | 1 | | 2 | | 3 | | 4 | | 5 | |
| | | in | mm | in | mm | in | mm | in | mm | in | mm |
| A | | 18 ¹ / ₄ | 464 | 24 ¹ / ₄ | 616 | 29 ³ / ₈ | 746 | 29 ³ / ₈ | 746 | 25 | 635 |
| B | | 6 | 152 | 12 | 305 | 12 | 305 | 12 | 305 | 12 | 305 |
| C | | N/A | | N/A | | 23 ³ / ₄ | 603 | 23 ³ / ₄ | 603 | 23 ³ / ₄ | 603 |
| D | | 9 ³ / ₄ | 248 | 15 ³ / ₄ | 400 | 15 ³ / ₄ | 400 | 15 ³ / ₄ | 400 | 15 ³ / ₄ | 400 |
| E | | 11 | 280 | 17 | 432 | 17 | 432 | 17 | 432 | 17 | 432 |



| Model without Cable & bumper | Drive Type | Cord Specifications | | | | | Volts | Amps | Shipping Weight | | Size Index # |
|------------------------------|----------------|---------------------|-----------------|---------|-----|-----|---|------|-----------------|----|--------------|
| | | AWG | mm ² | # Cond. | ft | m | | | lbs | kg | |
| CA30106-CS* | Hand Crank | 10 | 5.211 | 3 | 140 | 43 | This reel is for storage only. Not intended to be live. | 37 | 17 | 1 | |
| | | 12 | 3.131 | 3 | 175 | 53 | | | | | |
| | | 16 | 1.0524 | 3 | 425 | 130 | | | | | |
| CA30112-CS* | Hand Crank | 10 | 5.211 | 3 | 280 | 86 | This reel is for storage only. Not intended to be live. | 46 | 21 | 2 | |
| | | 12 | 3.131 | 3 | 350 | 106 | | | | | |
| | | 16 | 1.0524 | 3 | 850 | 260 | | | | | |
| LB312 123 | Bevel Crank | 12 | 3.131 | 3 | 200 | 61 | 600 | 25 | 51 | 23 | 3 |
| LB312 103 | Bevel Crank | 10 | 5.211 | 3 | 200 | 61 | 600 | 30 | 52 | 24 | 3 |
| LC312 123 | Hand Crank | 12 | 3.131 | 3 | 200 | 61 | 600 | 25 | 50 | 23 | 4 |
| LC312 103 | Hand Crank | 10 | 5.211 | 3 | 200 | 61 | 600 | 30 | 51 | 23 | 4 |
| LE312 123 12D | Motor Driven** | 12 | 3.131 | 3 | 200 | 61 | 600 | 25 | 68 | 31 | 5 |
| LE312 103 12D | Motor Driven** | 10 | 5.211 | 3 | 200 | 61 | 600 | 30 | 69 | 31 | 5 |

NOTE: Cord must be fully unspooled before use. Actual fill capacities vary with cord O.D. and jacket type. Consult manufacturer for applications requiring cord types other than SO, SOW, or SJO. Reel suited for indoor, non-weather tight applications only. *Power source must be disconnected while reeling/de-reeling. Through shaft on cable storage reels facilitates cable sizes up to .969" O.D. for other sizes, consult manufacturer. **All motor driven models are 12 V DC non-explosion proof. Other motor options available upon request.

Available Options

Roller Guides
See page 47



Switches & Motors
See page 48



Replacement Bumpers
See page 49



Complete Welding Series | Series TW / STW / BA

Most Popular

Spring driven for hose lengths up to 60'



TW7450 OLP

Most Compact

Ideal for locations where space is limited



TW5425 OLP



BA36106 L

Bevel Crank

Longest hose lengths up to 250'



| Model with Hose | Shipping Weight | | Hose I.D. | | Hose O.D. | | Hose Length | | Pressure | | Hose Outlet | Reel Inlet | Model without hose & bumper | Shipping Weight | | Size Index # |
|---|-----------------|----|-----------|----|-----------|----|-------------|----|--------------|------------|--------------|--------------|-----------------------------|-----------------|-------|--------------|
| | lbs | kg | in | mm | in | mm | ft | m | psi | bar | in | in | | lbs | kg | |
| Oxygen / Acetylene (only) Hose Reels | | | | | | | | | | | | | | | | |
| TW5425 OLP | 26 | 12 | 1/4 | 6 | .530 | 13 | 25 | 8 | 200 | 14 | 9/16 - 18(F) | 1/4 NPT(F) | TW5400 OLP | 21 | 10 | 1 |
| STW3450 OLP | 29 | 13 | 1/4 | 6 | .530 | 13 | 50 | 15 | 300 | 21 | 9/16 - 18(F) | 9/16 - 18(M) | ----- | ----- | ----- | See pg. 21 |
| TW7450 OLP | 50 | 23 | 1/4 | 6 | .530 | 13 | 50 | 15 | 200 | 14 | 9/16 - 18(F) | 1/4 NPT(F) | TW7400 OLP | 42 | 19 | 2 |
| TW7460 OLP | 55 | 25 | 1/4 | 6 | .530 | 13 | 60 | 18 | 200 | 14 | 9/16 - 18(F) | 1/4 NPT(F) | TW7400 OLP | 42 | 19 | 2 |
| Series 30000 Hand Crank | 1/4 | 6 | .530 | 13 | 125 | 38 | 200 | 14 | 9/16 - 18(M) | 1/4 NPT(F) | BA36106 L | 50 | 23 | 4 | | |
| Series 30000 Hand Crank | 1/4 | 6 | .530 | 13 | 250 | 76 | 200 | 14 | 9/16 - 18(M) | 1/4 NPT(F) | BA36112 L | 57 | 26 | 5 | | |
| Welding Gas - Oxygen / Acetylene, Mapp, Propane, Natural and Fuel Gas (T-Grade) Hose Reels | | | | | | | | | | | | | | | | |
| TW5425 OLPT | 26 | 12 | 1/4 | 6 | .530 | 13 | 25 | 8 | 200 | 14 | 9/16 - 18(F) | 1/4 NPT(F) | TW5400 OLPT | 22 | 10 | 1 |
| TW7450 OLPT | 50 | 23 | 1/4 | 6 | .530 | 13 | 50 | 15 | 200 | 14 | 9/16 - 18(F) | 1/4 NPT(F) | TW7400 OLPT | 43 | 20 | 2 |
| TW7460 OLPT | 55 | 25 | 1/4 | 6 | .530 | 13 | 60 | 18 | 200 | 14 | 9/16 - 18(F) | 1/4 NPT(F) | TW7400 OLPT | 43 | 20 | 2 |
| TW84100 OLPT | 101 | 46 | 1/4 | 6 | .530 | 13 | 100 | 30 | 200 | 14 | 9/16 - 18(F) | 9/16 - 18(M) | TW84000 OLPT | 81 | 37 | 3 |
| TW86075 OLPT | 99 | 45 | 3/8 | 10 | .625 | 16 | 75 | 23 | 200 | 14 | 9/16 - 18(F) | 9/16 - 18(M) | TW86000 OLPT | 86 | 39 | 3 |

Acetylene and fuel gas (red) inlet 1/4" FPT / oxygen (green) inlet 1/4" FPT. 9/16-18 models above are B size. Acetylene/fuel gas side has a LH thread and the oxygen side has a RH thread. Models supplied less hose have male outlets. Maximum temperature 150 °F (65 °C). Reference page 6 for guide arm positions.

Inlet Hose Assemblies

| Part Number | Hose I.D. | | Length | | End Fittings | Pressure | | Weight | | |
|---|-----------|------|--------|---|--------------|----------|----------|--------|----|----------|
| | in | mm | ft | m | in | psi | bar | lbs | kg | |
| Twin Welding Oxygen/acetylene only (RM grade) | | | | | | | | | | |
| S600100-2 | 1/4 | dual | 6 | 2 | .61 | 9/16-18 | LH/RH(F) | 200 | 14 | .70 .32 |
| S600100-4 | 1/4 | dual | 6 | 4 | 1.22 | 9/16-18 | LH/RH(F) | 200 | 14 | 1.12 .51 |
| S600100-6 | 1/4 | dual | 6 | 6 | 1.83 | 9/16-18 | LH/RH(F) | 200 | 14 | 1.90 .86 |
| Twin Welding Mapp, propane, natural and fuel gas (T-grade) | | | | | | | | | | |
| S601031-2 | 1/4 | dual | 6 | 2 | .61 | 9/16-18 | LH/RH(F) | 200 | 14 | .70 .32 |
| S601031-4 | 1/4 | dual | 6 | 4 | 1.22 | 9/16-18 | LH/RH(F) | 200 | 14 | 1.12 .51 |
| S601031-6 | 1/4 | dual | 6 | 6 | 1.83 | 9/16-18 | LH/RH(F) | 200 | 14 | 1.90 .86 |

Hose Inlet Connecting Fittings - Optional

| Model No. | Inlet Connection Fittings | |
|-----------|---------------------------|---|
| 90° | S300090 | ACETYLENE B size 9/16 - 18 LH (M) x 1/4" NPT (M) |
| | S300091 | OXYGEN B size 9/16 - 18 RH (M) x 1/4" NPT (M) |
| Straight | 261371 | OXYGEN B size 9/16 - 18 RH (M) x 3/8" NPT (M) |
| | 261372 | ACETYLENE/fuel gas - B size 9/16 - 18 LH (M) x 3/8" NPT (M) |

Hose supplied on oxygen/acetylene reels is twin-Siemese type meeting R.M.A. and C.G.A. type V.D., grade RM specifications.

Hose Assemblies

| Part Number | I.D. & O.D. | | Length | Pressure | NPTF(M) End Fittings | Weight | | | |
|--|-------------|----|--------|----------|----------------------|--------|---------|------|------|
| | in | mm | | | | ft | m | psi | bar |
| Twin Welding Oxygen/acetylene only (RM grade) - LH/RH(F) | | | | | | | | | |
| 601032-25 | 1/4 | 6 | 25 | 8 | 200 | 14 | 9/16-18 | 6.5 | 3.0 |
| 601032-50 | 1/4 | 6 | 50 | 15 | 200 | 14 | 9/16-18 | 12.1 | 5.5 |
| 601032-60 | 1/4 | 6 | 60 | 18 | 200 | 14 | 9/16-18 | 13.3 | 6.0 |
| 601032-100 | 1/4 | 6 | 100 | 30 | 200 | 14 | 9/16-18 | 24.2 | 11.0 |
| Twin Welding Mapp, propane, natural and fuel gas (T-grade) - LH/RH(F) | | | | | | | | | |
| 601031-25 | 1/4 | 6 | 25 | 8 | 200 | 14 | 9/16-18 | 6.5 | 3.0 |
| 601031-50 | 1/4 | 6 | 50 | 15 | 200 | 14 | 9/16-18 | 12.1 | 5.5 |
| 601031-60 | 1/4 | 6 | 60 | 18 | 200 | 14 | 9/16-18 | 14.4 | 6.50 |
| 601031-100 | 1/4 | 6 | 100 | 30 | 200 | 14 | 9/16-18 | 24.2 | 11.0 |

Caution: Be sure working pressure required does not exceed above ratings. Misapplication can result in serious operator injury. **Note:** Advise product to be handled, maximum temperature and pressure fitting size or sizes when ordering.

NOTE: Reels without hose, Series TW5400 OLP(T), TW7400 OLP(T), TW84000 OLPT and TW86000 OLPT are U/L listed #70H2.

Features

- ✓ Designed to improve safety in the work area with an increase in productivity and efficiency
- ✓ Full flow shaft swivels
- ✓ Independent dual swivel body manufactured from aluminum and hard-coated for wear resistance assures positive separation of gases due to its unique design
- ✓ Double-sealed, O-rings prevent leakage
- ✓ Swivel body and inlet are both permanently identified with machined grooves on the acetylene side to assure proper installation
- ✓ Durable abrasion and corrosion resistant baked-on red powder-coated finish
- ✓ Reel frame, spool and drum are fabricated of heavy gauge steel
- ✓ Temperature operating range: 20 °F / -29 °C to +250 °F / +120 °C

Economical
Lighter weight for hose lengths up to 50'

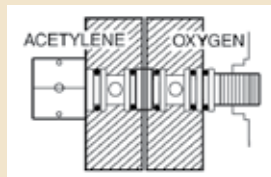
STW3450 OLP
*See page 21 for additional details.
Made in Australia



High Volume
Dual welding, spring driven for high volume of gas

TW84100 OLPT
Available in T grade only

Made in USA 



Dual swivel is an exclusive Reelcraft design

Independent dual swivel body

manufactured from aluminum and hard coated for wear resistance. Assures positive separation of gases due to its unique design.

Double-sealed, special molded O-rings prevent leakage. Swivel body and inlet are both permanently identified with machined grooves on the acetylene side to assure proper installation. Available with TW5000 and TW7000 series reels.

"T" Grade Fuel Gas Reels

"T" grade hose reels are used for a wide variety of gases such as mapp gas, propane gas, natural gas and fuel gases. When ordering any welding hose reels you must specify the type of gas being used. To order "T" grade reels, add a suffix "T" to the TW Models. Example - TW5425 OLPT.

| | Series 5000 / 7000 / 80000 | | | | | |
|----------|----------------------------|-----|--------|-----|--------|-----|
| | 1 | | 2 | | 3 | |
| | in | mm | in | mm | in | mm |
| A | 14 1/2 | 368 | 20 1/4 | 514 | 25 3/8 | 645 |
| B | 13 3/4 | 349 | 19 3/4 | 502 | 24 | 610 |
| C | 9 3/4 | 248 | 7 7/8 | 200 | 10 | 254 |
| D | 2 1/2 | 64 | 3 7/8 | 98 | 6 | 152 |
| E | 6 | 152 | 7 3/8 | 187 | 12 1/4 | 311 |

Series 5000 reels have four 5/16" (8 mm) diameter mounting holes.

| | Series 30000 | | | |
|----------|--------------|-----|--------|-----|
| | 4 | | 5 | |
| | in | mm | in | mm |
| A | 15 5/8 | 397 | 21 5/8 | 550 |
| B | 6 | 152 | 12 | 305 |
| C | 9 3/4 | 248 | 15 3/4 | 400 |
| D | 11 | 280 | 17 | 432 |

Four 1/2" (12.7 mm) mounting holes. Overall length with crank handle removed is 17 3/4" (451 mm).

Available Options

Mounting Brackets
See page 47



Inlet Hose Assemblies
See page 42



Replacement Bumpers
See page 49



Replacement Hoses
See page 42



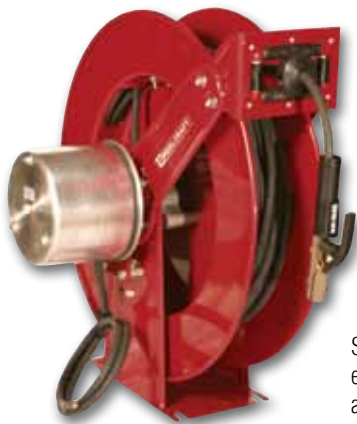
Hand Crank / Spring Retractable Cable Welding Reels Series CEA / WC



CEA30006

- Designed to improve safety in the work area with an increase in efficiency and productivity
- Cable reels have a current path through a continuous 400 AMP, 90 V DC (maximum) rated enclosed slip ring

- Welding cable reels store work lead or electrode lead, up to #2/0, safely and effectively when not in use. Each lead requires a separate reel. When welding also refer to ANSI/Asc Z 49.1
- Stores cable when not in use, eliminating tangled, kinked welding cables
- Maintains proper bend radius of cables, providing longer cable life
- Keeps work area and vehicles better organized, resulting in better space utilization



WC80001

Shown with electrode, clamp and cable (not included)



WC7000

Features - Hand Crank Reels

- ✓ All-bolted heavy gauge steel construction provides long life and ease of use and maintenance.
- ✓ Manual drum lock prevents spool from turning when not in use preventing unwanted pay out of cable.

| Dimensions - Size Index | 1 | | | | 2 | | | | |
|-------------------------|--------|--------|--------|--------|-----|-------|--------|-----|-----|
| | in | | mm | | in | | mm | | |
| | A | 20 1/4 | 514 | 25 3/8 | 645 | B | 19 3/4 | 502 | 24 |
| C | 7 7/8 | 200 | 10 | 254 | D | 3 7/8 | 98 | 6 | 152 |
| E | 13 1/4 | 337 | 15 5/8 | 397 | | | | | |

| Dimensions - Size Index | 3 | | | | 4 | | | | |
|-------------------------|----|-----|-----|-----|-----|----|-------|-----|--------|
| | in | | mm | | in | | mm | | |
| | A | 6 | 152 | 12 | 305 | B | 9 3/4 | 248 | 15 3/4 |
| C | 11 | 279 | 17 | 432 | D | 15 | 381 | 21 | 533 |
| E | 21 | 533 | 27 | 686 | | | | | |

Four 1/2" (12.7 mm) diameter mounting holes.

Available Options

Mounting Brackets
See page 47



Replacement Bumpers
See page 49



Caution:

If cable reels are to be used for extended periods of time, unwind all cable from reel to prevent heat build-up. For indoor non weather-tight applications only.



| Model without cable & bumper | Cable Size | | | | | | | | Shipping Weight | Size Index # | |
|------------------------------|-------------------------|-------|-------------------------|-----|---------------------------|-------|---------------------------|-------|-----------------|--------------|---|
| | #2 (31mm ²) | | #1 (39mm ²) | | #1/0 (50mm ²) | | #2/0 (62mm ²) | | | | |
| | ft | m | ft | m | ft | m | ft | m | | | |
| CEA30006 | 300 | 91 | 250 | 76 | 200 | 61 | 150 | 46 | 46 | 21 | 3 |
| CEA30012 | 500* | 152 | 500* | 152 | 400 | 122 | 300 | 91 | 54 | 24 | 4 |
| WC7000 | ----- | ----- | 50 | 15 | 50 | 15 | 50 | 15 | 58 | 26 | 1 |
| WC80001 | ----- | ----- | 75 | 23 | 75 | 23 | 75 | 23 | 102 | 46 | 2 |
| WC80002 | ----- | ----- | 100 | 30 | ----- | ----- | ----- | ----- | 104 | 47 | 2 |

*May exceed maximum cable length allowable for most welding applications. **NOTE:** Each cable requires separate reel. Reference page 6 for guide arm positions.

Hand Crank Reels

Up to 150' fuel gas
Up to 200' 12/3 cable



Ideal for applications where space, weight and flexibility are key, these reels are designed for manual winding of air/water/fuel gases hose, electric cord and welding cable. Versatile in function, select configurations to suit specific needs. Safe-T-Reels offer trouble-free management of large capacities of hose or cord.



Dual Spool

Side-by-side combinations

T-2462-0

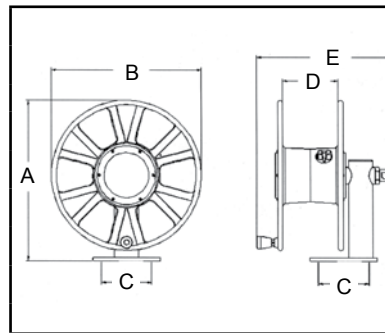
Dual Spool

Stacked combinations
T-2464-0



| Model without cable | AMP | Reel Capacity | | Cable | | Shipping Weight | | Size Index # |
|--|-----|---------------|----|-------|------|-----------------|----|--------------|
| | | ft | m | AWG | Cond | lbs | kg | |
| Single Welding Cable 600 V, 2/0 Cable | | | | | | | | |
| T-1460-0 | 250 | 200 | 61 | ----- | | 32 | 15 | 2 |
| Single Power Cable - 3 Conductor | | | | | | | | |
| T-1535-003 | 30 | 150 | 45 | 8 | 3 | 18.5 | 5 | 1 |
| T-1535-083-100* | 33 | 100 | 30 | 8 | 3 | 50 | 23 | 1 |
| T-1535-103-200* | 24 | 200 | 61 | 10 | 3 | 81 | 37 | 1 |
| T-1535-123-100* | 25 | 100 | 30 | 12 | 3 | 46 | 21 | 1 |
| T-1535-123-200* | 20 | 200 | 61 | 12 | 3 | 71 | 32 | 1 |

*Includes cable.



| Dimensions - Size Index | | | | | | |
|-------------------------|--------|-----|--------|-----|--------|-----|
| | 1 | | 2 | | 3 | |
| | in | mm | in | mm | in | mm |
| A | 19 | 483 | 19 | 483 | 19 | 483 |
| B | 18 | 457 | 18 | 457 | 18 | 457 |
| C | 6 | 152 | 6 | 152 | 6 | 152 |
| D | 6 1/2 | 165 | 6 1/2 | 165 | 12 1/2 | 165 |
| E | 15 3/4 | 401 | 16 1/4 | 412 | 21 3/4 | 552 |

Four 1/2" (12.7 mm) diameter mounting holes.

| Model without hose | Hose I.D. | | Hose O.D. | | Reel Capacity | | Pressure | | Shipping Weight | | Size Index # |
|---|-----------|----|-----------|----|---------------|----|----------|-----|-----------------|----|--------------|
| | in | mm | in | mm | ft | m | psi | bar | lbs | kg | |
| Single Spool Air / Water Hose Reels Maximum Temperature 150 °F (65 °C) | | | | | | | | | | | |
| T-1115-08 | 1/2 | 13 | .844 | 21 | 150 | 46 | 300 | 21 | 18 | 8 | 1 |
| T-1116-08 | 1/2 | 13 | .844 | 21 | 250 | 76 | 300 | 21 | 22 | 10 | 3 |
| T-1117-12 | 3/4 | 19 | 1.188 | 30 | 50 | 15 | 250 | 17 | 18 | 8 | 1 |
| T-1118-12 | 3/4 | 19 | 1.188 | 30 | 75 | 23 | 250 | 17 | 22 | 10 | 3 |
| Single Spool Oxygen/Acetylene T-Grade Seals Maximum Temperature 150 °F (65 °C) | | | | | | | | | | | |
| T-1225-04 CA | 1/4 | 6 | .530 | 13 | 150 | 45 | 200 | 14 | 19 | 9 | 2 |
| T-1225-04-100T* | 1/4 | 6 | .530 | 13 | 100 | 30 | 200 | 14 | 44 | 20 | 2 |
| T-1226-06 | 3/8 | 10 | .625 | 16 | 100 | 30 | 200 | 14 | 19 | 9 | 2 |

*Includes hose.

Single Spool



T-1225-04-100T

Detail of heavy duty shaft

with tapered roller bearing for high rigidity



Shaft sizes are 1" to 1.25" in diameter, supported by tapered roller bearings with 2" to 2.3" housings.

| Model without cable | AMP | Reel Capacity | | Shipping Weight | | Size Index # |
|---|-----|---------------|----|-----------------|----|--------------|
| | | ft | m | lbs | kg | |
| Dual Side-by-Side Welding Cable (2) 600 V, 2/0 Cable | | | | | | |
| T-2462-0 | 250 | 200 | 61 | 51 | 23 | 5 |
| Dual Stacked Welding Cable (2) 600 V, 2/0 Cable | | | | | | |
| T-2464-0 | 250 | 200 | 61 | 62 | 28 | 4 |
| Dual Side-by-Side Power Cable / Air Hose | | | | | | |
| T-2735-2-0* | 35 | 200 | 61 | 40 | 18 | 5 |
| | | 150 | 45 | | | |

*Air hose side has 1/2" (12.7mm) inlet.

| Dimensions - Size Index | | | | | |
|-------------------------|--------|-----|-------|-----|----|
| | 4 | | | 5 | |
| | in | mm | | in | mm |
| A | 38 | 965 | 19 | 483 | |
| B | 18 | 457 | 18 | 457 | |
| C | 6 | 152 | 6 | 152 | |
| D | 6 1/2 | 165 | 6 1/2 | 165 | |
| E | 16 1/4 | 737 | 29 | 737 | |

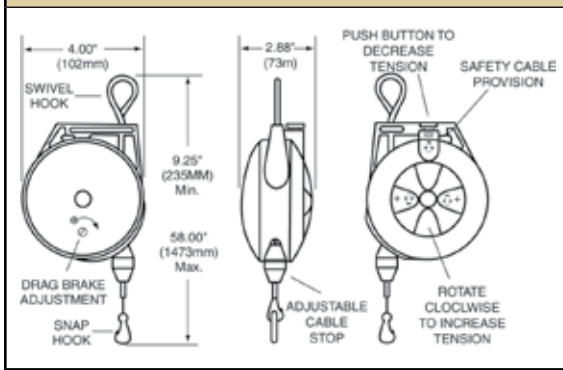
Four 1/2" (12.7 mm) diameter mounting holes.

Caution: Compressed air hoses should not be converted to oxygen service. Compressed air hoses are often contaminated with an oil coating, which can react explosively when oxygen is introduced. Oxygen/Acetylene cannot be combined with welding cable or power cord. **Note:** Models listed are without hose and/or cable except where listed. Weights listed above are actual product weight without packaging materials. Safe-T-Reels are available with cable or hose and in various combinations. Please consult Reelcraft customer service for additional information.

Top Five Benefits

1. Balances the weight of assembly tools, making them nearly weightless
2. Reduces operator fatigue
3. Improves safety and ergonomics
4. Increases productivity by keeping tools positioned for immediate use with minimal operator motion
5. Reduces tool damage by preventing tools from being accidentally dropped

TB 1-5 Dimensions

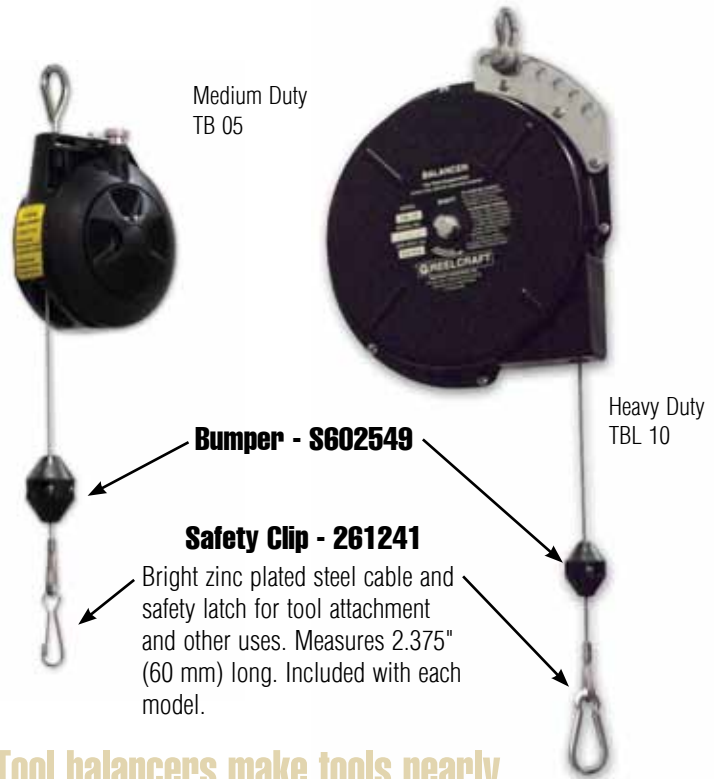


| Model | Min - Max Load | | Cable Length* | | Shipping Weight | |
|-------|----------------|-----------|---------------|-----|-----------------|-----|
| | lbs | kg | ft | m | lbs | kg |
| TB 01 | 0.0 - 1.5 | 0.0 - 0.7 | 6 | 1.8 | 1.0 | 0.5 |
| TB 03 | 1.5 - 3.0 | 0.7 - 1.4 | 6 | 1.8 | 1.0 | 0.5 |
| TB 05 | 3.0 - 5.0 | 1.4 - 2.3 | 6 | 1.8 | 1.5 | 1 |

*Cable lengths listed are "active" or "working" cable. Safety tool clip and cable stop included. Maximum temperature 150 °F (65 °C).

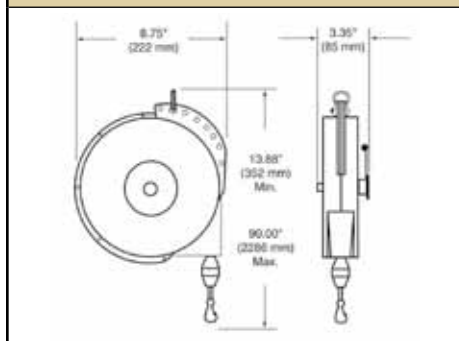
| Model | Min - Max Load | | Cable Length* | | Shipping Weight | | Ratchet Lock |
|---|----------------|------------|---------------|-----|-----------------|-----|--------------|
| | lbs | kg | ft | m | lbs | kg | |
| Constant Pull Reels - may be adjusted to balance through 6-18 in (152-457 mm) range. | | | | | | | |
| TB 10 | 5.0 - 10 | 2.3 - 4.5 | 8 | 2.4 | 9 | 4 | NO |
| TB 12 | 8.0 - 12 | 3.6 - 5.4 | 8 | 2.4 | 10 | 4.5 | NO |
| TB 15 | 10 - 15 | 4.5 - 6.8 | 8 | 2.4 | 10 | 4.5 | NO |
| TB 23 | 16 - 23 | 7.2 - 10.4 | 8 | 2.4 | 10 | 4.5 | NO |
| Reels with Ratchet Lock - retract tool upward when manually released. | | | | | | | |
| TBL 10 | 5.0 - 10 | 2.3 - 4.5 | 8 | 2.4 | 9 | 4 | YES |
| TBL 12 | 8.0 - 12 | 3.6 - 5.4 | 8 | 2.4 | 10 | 4.5 | YES |
| TBL 15 | 10 - 15 | 4.5 - 6.8 | 8 | 2.4 | 10 | 4.5 | YES |
| TBL 23 | 16 - 23 | 7.2 - 10.4 | 8 | 2.4 | 10 | 4.5 | YES |

*Cable lengths listed are "active" or "working" cable. Safety tool clip and cable stop included. Maximum temperature 150 °F (65 °C).



Tool balancers make tools nearly weightless, reduce fatigue

TB 10-23 Dimensions

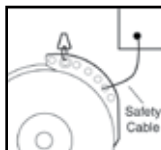


Optional Accessories

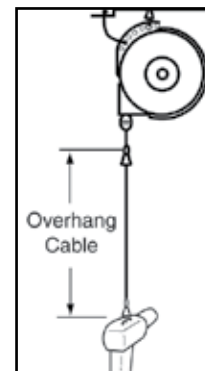
Cables can be combined for added length

| Overhang Cable | |
|--------------------|-------------------|
| Model No. | Length |
| 600605-3 | 3.0 ft / 91.5 cm |
| 600605-5 | 5.0 ft / 152.4 cm |
| Safety Cable/Chain | |
| Model No. | Length |
| 600603* | 1.0 ft / 30.5 cm |
| 600604** | 1.0 ft / 30.5 cm |

*Nylon covered steel cable (1 to 6 lbs models)
**Steel link chain (10 to 23 lbs models)



Strongly recommended, secondary steel cable or steel link chain. Prevents balancer from accidental fall. Balancers have extra holes for cable or chain.



Nylon covered steel cable with safety clip. Brings tools closer to work area without unwinding cable from reel or mounting reel at lower height.

Roller Hose Guide Assemblies



| Model | Accommodates | | Weight | Dimensions | | | | | | | | | | | | |
|---------|--------------------------|--|--------|------------|-------|-------|--------|------|-------|------|-------|------|--------|------|--------|------|
| | Hose O.D. | | | A | | B | | C | | D | | E | | F | | |
| | in (mm) | | | in | mm | in | mm | in | mm | in | mm | in | mm | in | mm | |
| HR1057 | .603 (16) - .906 (23) | | .25 | .12 | 0.875 | 22.3 | N/A | | 3.125 | 79.4 | 3.125 | 79.4 | 1.6875 | 42.9 | 1.6875 | 42.9 |
| HR1059 | .250 (6.4) - .625 (15.9) | | .25 | .12 | 0.625 | 15.9 | N/A | | 3.125 | 79.4 | 3.125 | 79.4 | 1.6875 | 42.9 | 1.6875 | 42.9 |
| HR1145 | .603 (16) - .906 (23) | | .34 | .15 | 2 | 50.8 | 1 | 25.4 | 3.75 | 95.3 | 2.75 | 69.9 | 2.125 | 54.1 | 3.125 | 79.4 |
| S270109 | .900 (23) - 2.00 (50.8) | | 5.39 | 2.44 | 5.25 | 133.4 | 2.375 | 60.4 | 12 | 305 | 8 | 204 | 5 | 127 | 10.5 | 267 |
| 600168 | .900 (23) - 1.38 (35) | | 1.75 | .34 | 1.75 | 44.5 | 2.0625 | 27 | 5.125 | 130 | 5.125 | 130 | 4 | 102 | 4 | 102 |

These four-way roller guide assemblies are for use with reels on cabinet door openings and for similar locations where sharp edges may cut or damage the hose. The four-way design permits pulling or retracting hose at any angle. Model S270109 has nylon rollers mounted on an 11 gauge steel frame with pre-drilled mounting holes.

Note: A hose bumper should be used with the four-way roller hose guide assemblies to prevent damage to rollers and nozzles. See chart on page 49.

Additional Accessories

| | | | |
|--|---|--------------------------------|---------------|
| | 340° Pivot Base | For Reel Series | Part # |
| | Aligns reel to the direction of hose or cord run. May be mounted with reel upright or hanging. Weight 10 lbs (5 kg). Note: Use if hoses or cords are pulled at more than 45°. | RT / 4000 / 5000 / 5005 / 7000 | 600608 |
| | | 80000 / D80000 / 30006 | 600801 |
| | | 30012 | 600801-12 |
| | Wall-Mounted Universal Swing Bracket | For Reel Series | Part # |
| | Bracket will pivot approximately 180°. All steel construction with a durable baked on powder coat finish. Weight 6 lbs (3 kg). Note: Use if hoses or cords are pulled at more than 45°. Note: Not for overhead mounting. | RT | 600992 |
| | | 4000 / 5000 | 600993 |
| | | RT / 4000 / 5000 / 5005 / 7000 | 600626 |
| | 80000 / D80000 / DP5000 / DP7000 | 600980 | |
| | Top Mounting Channels and Beam Clamps | | |
| | 600370 Top channel and beam clamps - for one reel | | |
| | 600295 Top channel and beam clamps - for two reels | | |
| | For mounting Series 7000 reels to an I-beam or overhead support. Mounting channels can be mounted end to end to mount three or more reels. To permit the mounting of Reelcraft Series RT, 4000, 5000, 5005 and electric cord reels on mounting channel, an adaptor assembly must be used (#600230). | | |
| | 600230 Adaptor Assembly | | |
| | Used with top channels and beam clamps only. | | |

Roller Guide Assemblies

| | | | | |
|---|---|--|--|-----------|
| | | | | |
| Spools and blocks are chrome-plated to resist corrosion and abrasion. Rollers speed handling and reduce wear on hose. All painted parts are finished with durable abrasion resistant baked-on powder coat. Delrin bearing surfaces give a quiet operation with minimum wear and all features combine to give trouble-free maximum service life. | | | | |
| For the special UHMW composite rollers, add a "U" at the end of the part number. (Example: S600693-1U) | | | | |
| Hose Reel Spool Size | Bottom Wind Roller bracket assembly model number | Top Wind Roller bracket assembly model number | Multi Position Roller bracket assembly model number | |
| in mm | | | | |
| Series 30000 - Four Way Rollers | | | | |
| 6 | 152 | S600693-1 | S600692-1 | S600533-1 |
| 12 | 305 | S600693-2 | S600692-2 | S600533-2 |
| 18 | 457 | S600693-3 | S600692-3 | S600533-3 |
| 22 | 559 | S600693-4 | S600692-4 | S600533-4 |
| 28 | 711 | S600693-5 | S600692-5 | S600533-5 |
| Series 30000 - Three Way Rollers | | | | |
| 6 | 152 | S602132-1 | S602133-1 | |
| 12 | 305 | S602132-2 | S602133-2 | |
| 18 | 457 | S602132-3 | S602133-3 | |
| 22 | 559 | S602132-4 | S602133-4 | |
| 28 | 711 | S602132-5 | S602133-5 | |
| Bottom wind and top wind may be used with all models except bevel crank. Multi position may not be used on models with a chain guard or 37000 series reels. | | | | |

Operating Switches

| Part No. | Specification | Use with motor |
|---------------------------|--|---------------------------|
| Push Button Switch | | |
| S600870 | 115/230 V AC, 10 AMP fuse | S260430 |
| 600811 | 12/24 V DC, up to 1/3 HP, breaker and relay | S260409, 260450 |
| S600808 | 600811 switch with bracket, 12/24 V DC | S260409, 260450 |
| 600869 | 12/24 V DC, up to 2/3 HP | S260583, S260626 |
| 260424 | Momentary contact with rubber cap, 12/24 V DC, non-explosion proof | Any DC motor |
| 260425 | Momentary contact, class 1 group D, for 115/230 V AC rewind motor. May also be used with solenoid for 12 or 24 V DC. | Any explosion proof motor |



| Part No. | Specification | Use with motor |
|-----------------------------|----------------------|-----------------------------------|
| Speed Control Switch | | |
| 600871 | 115/230 V AC, 10 AMP | S260430 |
| 600866 | 12/24 V DC | S260409, S260583, 260450, S260626 |



| Part No. | Specification | Use with motor |
|--|---|----------------|
| Push Button Switch with Speed Control | | |
| S600872 | 115/230 V AC, 10 AMP fuse, adjustable speed control | S260430 |
| 600873 | 115/230 V AC, 10 AMP fuse, forward/reverse adjustable speed control | |
| 600867 | DC, 25 AMP, up to 1/3 HP | S260409 |
| 600868 | DC, 40 AMP circuit breaker, up to 2/3 HP | S260583 |



Switch Accessories

| Part No. | Specification |
|--------------------------|--|
| Circuit Breaker | |
| S260422 | 40 AMP. Use with DC electric rewind motors. Manual reset button must be pressed firmly to reset. |
| Starting Solenoid | |
| S260426 | 12 V DC for activation of motor. |
| Mounting Bracket | |
| 260532 | Combination for circuit breaker, solenoid and starting switch. |
| Junction Box | |
| 370200 | For explosion proof motor. |



Rewind Motors

Reels are equipped with electric or compressed air motors to drive chain and sprocket rewind mechanisms.

| Part No. | Specification |
|------------------------|---------------------------------|
| Electric Motors | |
| S260409 | Reversible type, 12 V DC 1/3 HP |
| 260450 | Reversible type, 24 V DC 1/4 HP |



| Part No. | Specification |
|--|---|
| Explosion Proof Electric Motors | |
| S260430 | Reversible type, single phase, explosion proof, Class 1 Group D Division 1, 115 V AC 1/2 HP. An explosion proof, Class I Group D junction box is available for wiring A.C. motors - #370200 |
| S260626 | 24 V DC 2/3 HP. Electric motor reversible type. Explosion proof. |
| S260583 | 12 V DC 2/3 HP. Electric motor reversible type. Explosion proof. |



| Part No. | Specification |
|------------------------|--|
| Hydraulic Motor | |
| 370066 | 1021 RPM, 668 lb-in, 2400 psi, 2.2 in ³ intermittent 1800 psi continuous. |



| Part No. | Specification |
|-------------------|---|
| Air Motors | |
| 260428 | 4 AM delivers up to 1 1/2 HP, 1/4" NPT (F) inlet. |
| 260429 | 6 AM delivers up to 4 HP, 1/2" NPTF (F) inlet. |



Additional Accessories

| Part No. | Specification |
|----------------------|---|
| Chain Shrouds | |
| S600518 | Optional chain shroud for Series 30000 and Series 1200 reels. |
| S261746 | Optional chain shroud for Series 40, 2400, 3700 and 3900 reels. |



| Part No. | Specification |
|-----------------------|---|
| Control Valves | |
| 260454 | Pneumatic on/off flow control valve assembly, 1/4" NPT (F) inlet and outlet to be used with 4 AM compressed air motors. We also recommend using a filter, regulator, and lubricator with compressed air motors. |
| 260455 | Same as above with 3/8" NPTF (F) inlet and outlet, to be used with 6 AM motors. |

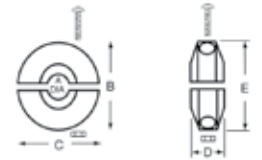


*Reference reelcraft.com for detailed specifications.

Adjustable Hose Bumpers

Adjustable hose bumpers are solid molded rubber assuring a long life and nonslip grip. Hose bumpers allow the desired length of hose to be permanently stored outside the reel. Hose bumpers are included on the reels purchased with hose. Reels purchased without hose do not include the hose bumper. When ordering, advise the part number, reel model and the hose I.D. and O.D. **NOTE: To order hose bumper with stainless steel hardware, change part number prefix from HR to HS.**

| For Reel Series | Part Number | Hose O.D. (Dia. A) | | Hose I.D. | | Dia. B-C-E | | D | | Weight | |
|---|-------------|--------------------|-----------|------------|----------|------------|----|-------|----|--------|-----|
| | | in | mm | in | mm | in | mm | in | mm | lbs | kg |
| 4000 / 5000 / RT400 / 3100 6000 / L4500 / L5000 / DP | 1-HR1004-A | .438 (11) | .625 (16) | 1/4 | 6 | 2.5 | 64 | 1.25 | 32 | .24 | .10 |
| 4000 / 5000 / D8000 / RT400 RT600 / 6000 | 1-HR1004 | .625 (16) | .749 (19) | 3/8 | 10 | 2.5 | 64 | 1.25 | 32 | .25 | .11 |
| 7000 / 80000 / E8000 / 3100 RT800 / 5000 / D80000 / DP | 1-HR1004-3 | .625 (16) | .749 (19) | 3/8 | 10 | 3 | 73 | 1.25 | 32 | .24 | .10 |
| 5000 / A5005 / 7000 / 80000 D8000 / E8000 / RT800 / DP | 2-HR1004-3 | .750 (19) | 1.05 (27) | 1/2 or 3/8 | 13 or 10 | 3 | 73 | 1.25 | 32 | .23 | .10 |
| 7000 / 8000 / D8000 / 80000 GC7000 / F7000 / F80000 / L7000 / DGM | 3-HR1004-3 | 1.06 (27) | 1.38 (35) | 3/4 | 19 | 3 | 73 | 1.25 | 32 | .32 | .14 |
| TW5000 / TW7000 / 3100T TW80000 / TWD80000 | 8-HR1004-3 | .530 (13) twin | | 1/4 | twin 6 | 3 | 73 | 1.25 | 32 | .24 | .10 |
| TH80000 / TW80000 / 3100T TH7000 / TW8000 | 600521 | .680 (17) twin | | 3/8 | twin 10 | 3.5 | 89 | 2 | 51 | .45 | .20 |
| 3100T / 4800T / TH80000 | 600522 | .810 (21) twin | | 1/2 | twin 13 | 3.5 | 89 | 2 | 51 | .49 | .22 |
| D9000 / E9000 / 3100 / 4800 | 2-HR1005 | .750 (19) | 1.05 (27) | 1/2 | 13 | 3.5 | 89 | 2.875 | 73 | .95 | .43 |
| D9000 / E9000 / FE9000 / 3100 / 4800 / SD | 3-HR1005 | 1.06 (27) | 1.38 (35) | 3/4 | 19 | 3.5 | 89 | 2.875 | 73 | .95 | .43 |
| D80000 / D8000 / D9000 / E9000 / FD9000 / FE9000 / 3100 / 4800 / SD | 4-HR1005 | 1.39 (35) | 1.55 (39) | 1 | 25 | 3.5 | 89 | 2.875 | 73 | .81 | .36 |
| FE9500 / FF9500 / 4800 | S600547-1 | 1.55 (39) | 1.75 (44) | 1 1/4 | 32 | 3.75 | 95 | 2.875 | 73 | .70 | .31 |
| FE9600 / FF9600 / 4800 | S600547-2 | 1.75 (44) | 2.03 (52) | 1 1/2 | 38 | 3.75 | 95 | 2.875 | 73 | .57 | .25 |



Inlet Hose Assemblies

A flexible hose connection must be used between the hose reel inlet and the source of supply to prevent possible misalignment and binding or warranty is void. Please furnish the following information when ordering: Part number, product and pressure to be handled. Other sizes available as well. **NOTE:** Swivel fittings are recommended to protect hose during installation.

| Part Number | Hose I.D. | | Hose O.D. | | Length | | End Fittings | | Pressure | | Weight | |
|--|-----------|----|-----------|----|--------|------|--------------|---------|----------|-----|--------|------|
| | in | mm | in | mm | ft | m | in | | psi | bar | lbs | kg |
| Low Pressure Air and water - PVC nylon braid | | | | | | | | | | | | |
| S601024-2 | 3/8 | 10 | .600 | 15 | 2 | .61 | 3/8 x 3/8 | NPTF(M) | 300 | 21 | .54 | .24 |
| S601020-2 | 1/2 | 13 | .750 | 19 | 2 | .61 | 1/2 x 1/2 | NPTF(M) | 300 | 21 | .70 | .32 |
| 601026-2 | 3/4 | 19 | 1.075 | 27 | 2 | .61 | 3/4 x 3/4 | NPTF(M) | 250 | 17 | 1.50 | .68 |
| 601034-3 | 3/4 | 19 | 1.075 | 27 | 3 | .91 | 3/4 x 3/4 | NPTF(M) | 250 | 17 | 1.72 | .78 |
| 601026-7 | 3/4 | 19 | 1.075 | 27 | 7 | 2.13 | 3/4 x 3/4 | NPTF(M) | 250 | 17 | 3.00 | 1.36 |
| S601027-2 | 1 | 27 | 1.375 | 35 | 2 | .61 | 3/4 x 1 | NPTF(M) | 250 | 17 | 1.72 | .78 |
| 601027-5 | 1 | 27 | 1.375 | 35 | 5 | 1.52 | 3/4 x 1 | NPTF(M) | 250 | 17 | 3.25 | 1.47 |
| Medium Pressure Oil and petroleum fluids - 100 R1T one wire braid | | | | | | | | | | | | |
| 32-260043 | 3/8 | 10 | .710 | 18 | 2 | .61 | 3/8 x 3/8 | NPTF(M) | 2250 | 155 | 1.00 | .45 |
| S17-260043 | 1/2 | 13 | .850 | 22 | 2 | .61 | 1/2 x 1/2 | NPTF(M) | 2000 | 138 | .91 | .41 |
| 39-260043 | 1/2 | 13 | .850 | 22 | 5 | 1.52 | 1/2 x 1/2 | NPTF(M) | 2000 | 138 | 2.00 | .91 |
| High Pressure Chassis grease - 100 R2T two wire braid | | | | | | | | | | | | |
| S17-260044 | 1/4 | 6 | 0.580 | 15 | 2 | .61 | 1/4 x 1/4 | NPTF(M) | 5000 | 345 | .75 | .34 |
| S14-260044 | 3/8 | 10 | 0.730 | 19 | 2 | .61 | 3/8 x 1/2 | NPTF(M) | 4000 | 276 | .83 | .38 |



Replacement Hose Assemblies Partial List

| Part Number | I.D. | O.D. | Length | Pressure | End Fittings | Wgt. |
|--|------|-------|--------|----------|--------------|-------|
| | in | in | | | | |
| Low Pressure Air/water - PVC nylon braid. Max temp 150 °F (65 °C) | | | | | | |
| 601001-20 | 1/4 | .475 | 20 | 300 | 1/4 x 1/4 | 2.60 |
| 601001-25 | 1/4 | .475 | 25 | 300 | 1/4 x 1/4 | 3.00 |
| 601001-35 | 1/4 | .475 | 35 | 300 | 1/4 x 1/4 | 3.20 |
| 601001-50 | 1/4 | .475 | 50 | 300 | 1/4 x 1/4 | 5.00 |
| 601013-15 | 3/8 | .600 | 15 | 300 | 1/4 x 1/4 | 3.10 |
| S601013-25 | 3/8 | .600 | 25 | 300 | 1/4 x 1/4 | 4.50 |
| S601013-35 | 3/8 | .600 | 35 | 300 | 1/4 x 1/4 | 4.70 |
| S601013-50 | 3/8 | .600 | 50 | 300 | 1/4 x 1/4 | 6.00 |
| S601013-100 | 3/8 | .600 | 100 | 300 | 1/4 x 1/4 | 11.00 |
| 601014-40 | 3/8 | .600 | 40 | 300 | 1/4 x 1/2 | 6.00 |
| 601014-100 | 3/8 | .600 | 100 | 300 | 1/4 x 1/2 | 15.00 |
| 601017-50 | 3/8 | .600 | 50 | 300 | 1/4 x 1/2 | 6.00 |
| 601017-70 | 3/8 | .600 | 70 | 300 | 1/4 x 1/2 | 7.90 |
| 601015-15 | 3/8 | .600 | 15 | 300 | 3/8 x 1/2 | 3.00 |
| 601015-50 | 3/8 | .600 | 50 | 300 | 3/8 x 1/2 | 6.50 |
| 601015-75 | 3/8 | .600 | 75 | 300 | 3/8 x 1/2 | 8.00 |
| 601015-100 | 3/8 | .600 | 100 | 300 | 3/8 x 1/2 | 14.00 |
| 601021-30 | 1/2 | .750 | 30 | 300 | 3/8 x 1/2 | 6.30 |
| 601021-35 | 1/2 | .750 | 35 | 300 | 3/8 x 1/2 | 7.40 |
| 601021-50 | 1/2 | .750 | 50 | 300 | 3/8 x 1/2 | 10.50 |
| 601022-35 | 1/2 | .750 | 35 | 300 | 1/2 x 1/2 | 6.50 |
| 601022-50 | 1/2 | .750 | 50 | 300 | 1/2 x 1/2 | 10.50 |
| 601035-75 | 1/2 | .750 | 75 | 300 | 1/2 x 1/2 | 13.70 |
| 601022-100 | 1/2 | .750 | 100 | 300 | 1/2 x 1/2 | 18.00 |
| 601026-20 | 3/4 | 1.075 | 20 | 250 | 3/4 x 3/4 | 5.90 |
| 601026-25 | 3/4 | 1.075 | 25 | 250 | 3/4 x 3/4 | 7.70 |
| 601026-30 | 3/4 | 1.075 | 30 | 250 | 3/4 x 3/4 | 9.00 |
| 601026-40 | 3/4 | 1.075 | 40 | 250 | 3/4 x 3/4 | 12.00 |
| 601026-50 | 3/4 | 1.075 | 50 | 250 | 3/4 x 3/4 | 15.00 |
| 601026-75 | 3/4 | 1.075 | 75 | 250 | 3/4 x 3/4 | 18.75 |
| 601026-100 | 3/4 | 1.075 | 100 | 250 | 3/4 x 3/4 | 22.60 |
| 601026-150 | 3/4 | 1.075 | 150 | 250 | 3/4 x 3/4 | 37.00 |
| 601026-200 | 3/4 | 1.075 | 200 | 250 | 3/4 x 3/4 | 58.00 |
| 601027-30 | 1 | 1.375 | 30 | 250 | 3/4 x 1 | 13.50 |
| 601027-40 | 1 | 1.375 | 40 | 250 | 3/4 x 1 | 17.70 |
| 601027-45 | 1 | 1.375 | 45 | 250 | 3/4 x 1 | 20.00 |
| 601027-50 | 1 | 1.375 | 50 | 250 | 3/4 x 1 | 21.80 |
| Low Pressure Fuel - 4 spiral poly yarn braid | | | | | | |
| 600160-1 | 3/4 | 1.188 | 25 | ----- | 3/4 x 3/4 | 17.50 |
| 600160-4 | 3/4 | 1.188 | 35 | ----- | 3/4 x 3/4 | 24.50 |
| 600160-2 | 3/4 | 1.188 | 50 | ----- | 3/4 x 3/4 | 35.00 |
| 600160-3 | 3/4 | 1.188 | 75 | ----- | 3/4 x 3/4 | 52.50 |
| 600451-2 | 1 | 1.500 | 2 | ----- | 1 x 1 | 1.70 |
| 600451-35 | 1 | 1.500 | 35 | ----- | 1 x 1 | 30.00 |
| 600451-50 | 1 | 1.500 | 50 | ----- | 1 x 1 | 42.00 |

Caution: Be sure working pressure required does not exceed above ratings. Misapplication can result in serious operator injury. **Note:** Advise product to be handled, maximum temperature and pressure fitting size or sizes when ordering.

| Part Number | I.D. | O.D. | Length | Pressure | End Fittings | Wgt. |
|---|------|-------|--------|----------|--------------|-------|
| | in | in | | | | |
| Medium Pressure Oil/petroleum fluids - 100 R1T one wire braid. Max temp 210 °F (99 °C) | | | | | | |
| 43-260043 | 1/4 | .530 | 50 | 2750 | 1/4 x 1/4 | 7.90 |
| 13-260043 | 1/4 | .530 | 20 | 2750 | 1/4 x 3/8 | 3.20 |
| 14-260043 | 1/4 | .530 | 25 | 2750 | 1/4 x 3/8 | 4.00 |
| 20-260043 | 1/4 | .530 | 30 | 2750 | 1/4 x 3/8 | 4.70 |
| 33-260043 | 1/4 | .530 | 35 | 2750 | 1/4 x 3/8 | 5.20 |
| 15-260043 | 3/8 | .710 | 20 | 2250 | 3/8 x 3/8 | 4.90 |
| 12-260043 | 3/8 | .710 | 25 | 2250 | 3/8 x 3/8 | 6.00 |
| 16-260043 | 3/8 | .710 | 30 | 2250 | 3/8 x 3/8 | 7.10 |
| 46-260043 | 3/8 | .710 | 50 | 2250 | 3/8 x 3/8 | 10.20 |
| 3-260043 | 3/8 | .710 | 30 | 2250 | 3/8 x 1/2 | 11.70 |
| 44-260043 | 3/8 | .710 | 35 | 2250 | 3/8 x 1/2 | 8.00 |
| 4-260043 | 3/8 | .710 | 40 | 2250 | 3/8 x 1/2 | 9.60 |
| 5-260043 | 3/8 | .710 | 50 | 2250 | 3/8 x 1/2 | 10.40 |
| 40-260043 | 1/2 | .850 | 16 | 3250 | 1/2 x 1/2 | 7.40 |
| 21-260043 | 1/2 | .850 | 25 | 3250 | 1/2 x 1/2 | 8.40 |
| 6-260043 | 1/2 | .850 | 30 | 3250 | 1/2 x 1/2 | 8.90 |
| 37-260043 | 1/2 | .850 | 35 | 3250 | 1/2 x 1/2 | 9.00 |
| 22-260043 | 1/2 | .850 | 40 | 3250 | 3/8 x 1/2 | 22.00 |
| 7-260043 | 1/2 | .850 | 40 | 3250 | 1/2 x 1/2 | 11.70 |
| 8-260043 | 1/2 | .850 | 50 | 3250 | 1/2 x 1/2 | 14.10 |
| 24-260043 | 1/2 | .850 | 75 | 3250 | 1/2 x 1/2 | 22.00 |
| 26-260043 | 3/4 | 1.120 | 30 | 1250 | 3/4 x 3/4 | 13.00 |
| 27-260043 | 3/4 | 1.120 | 50 | 1250 | 3/4 x 3/4 | 22.20 |
| 28-260043 | 3/4 | 1.120 | 75 | 1250 | 3/4 x 3/4 | 30.00 |
| High Pressure Chassis grease - 100 R2T 2 wire braid. Max temp 210 °F (99 °C) | | | | | | |
| 6-260044 | 1/4 | 0.580 | 20 | 5000 | 1/4 x 1/4 | 5.20 |
| 10-260044 | 1/4 | 0.580 | 25 | 5000 | 1/4 x 1/4 | 6.40 |
| 7-260044 | 1/4 | 0.580 | 30 | 5000 | 1/4 x 1/4 | 7.70 |
| 20-260044 | 1/4 | 0.580 | 35 | 5000 | 1/4 x 1/4 | 9.00 |
| 8-260044 | 1/4 | 0.580 | 40 | 5000 | 1/4 x 3/8 | 10.20 |
| 9-260044 | 1/4 | 0.580 | 50 | 5000 | 1/4 x 3/8 | 12.70 |
| 13-260044 | 3/8 | 0.730 | 25 | 4800 | 1/4 x 1/4 | 9.70 |
| 25-260044 | 3/8 | 0.730 | 25 | 4800 | 3/8 x 3/8 | 9.70 |
| 3-260044 | 3/8 | 0.730 | 30 | 4800 | 1/4 x 3/8 | 10.72 |
| 24-260044 | 3/8 | 0.730 | 35 | 4800 | 3/8 x 3/8 | 12.40 |
| 26-260044 | 3/8 | 0.730 | 35 | 4800 | 3/8 x 1/2 | 12.40 |
| 4-260044 | 3/8 | 0.730 | 40 | 4800 | 1/4 x 3/8 | 15.40 |
| 5-260044 | 3/8 | 0.730 | 50 | 4800 | 1/4 x 3/8 | 19.20 |
| 27-260044 | 3/8 | 0.730 | 50 | 4800 | 3/8 x 3/8 | 20.70 |
| 19-260044 | 3/8 | 0.730 | 50 | 4800 | 3/8 x 1/2 | 20.90 |
| 23-260044 | 3/8 | 0.730 | 75 | 4800 | 3/8 x 3/8 | 25.00 |
| 18-260044 | 3/8 | 0.730 | 75 | 4800 | 3/8 x 1/2 | 26.60 |
| 22-260044 | 3/8 | 0.730 | 100 | 4800 | 3/8 x 3/8 | 33.00 |

Caution: Be sure working pressure required does not exceed above ratings. Misapplication can result in serious operator injury. **Note:** Advise product to be handled, maximum temperature and pressure fitting size or sizes when ordering.

S = Spring Driven
H = Hand Crank
E = Electric Motor
*Without hose or cable
Note: Unless specified with an asterisk, all Quick Ship reels include hose or cord installed.

IN: Indiana Warehouse
CA: California Warehouse
CN: Canadian Warehouse

Same Day Quick Ship Reels

The models listed below can be shipped same day upon request when the order is received by 11:30am Eastern Time (or 11:00am Toronto time for Canada) for quantities of 5 or fewer. Applied to North American orders only. Further restrictions may apply.

| Part | | Warehouse | | | | Capacity | | | | Part | | Warehouse | | | | Capacity | | | |
|------|--------------|-----------|----|----|------|----------|----------|-------|-------------|------|---------------|-----------|----|----|--------|----------|-------------|-------|------------------------------|
| Pg# | Model # | CA | IN | CN | Size | Length | Rating | Drive | Description | Pg# | Model # | CA | IN | CN | Size | Length | Rating | Drive | Description |
| 9 | 4420 OLP | X | X | | 1/4" | 20' | 300 psi | S | Air / Water | 25 | CA33118 L* | X | X | | 3/4" | 175' | 1000 psi | H | Air / Water |
| 9 | 4425 OLP | X | X | X | 1/4" | 25' | 300 psi | S | Air / Water | --- | CB37118 L* | X | X | X | 1" | 100' | 300 psi | H | Air / Water |
| 9 | 4400 OLP* | X | X | X | 1/4" | 35' | 500 psi | S | Air / Water | 25 | CA32106 M* | X | X | | 1/2" | 100' | 3000 psi | H | Medium Pressure |
| 8 | RT435-OLP | X | X | | 1/4" | 35' | 300 psi | S | Air / Water | 25 | CA32112 M* | X | X | X | 1/2" | 200' | 3000 psi | H | Medium Pressure |
| 9 | 4435 OLP | X | X | X | 1/4" | 35' | 300 psi | S | Air / Water | 25 | EA32112 L12D* | X | | | 1/2" | 200' | 1000 psi | E | Air / Water |
| 8 | RT450-OLP | X | X | X | 1/4" | 50' | 300 psi | S | Air / Water | 25 | EA32118 L12D* | | X | | 1/2" | 325' | 1000 psi | E | Air / Water |
| 9 | 5400 OLP* | X | X | | 1/4" | 50' | 500 psi | S | Air / Water | 25 | EA33112 L12D* | X | | | 3/4" | 100' | 1000 psi | E | Air / Water |
| 9 | 5450 OLP | X | X | X | 1/4" | 50' | 300 psi | S | Air / Water | 25 | EA33118 L12D* | X | | | 3/4" | 175' | 1000 psi | E | Air / Water |
| 8 | RT625-OLP | X | X | | 3/8" | 25' | 300 psi | S | Air / Water | --- | EB37118 L12D* | X | | | 1" | 100' | 300 psi | E | Air / Water |
| 9 | 4625 OLP | X | X | X | 3/8" | 25' | 300 psi | S | Air / Water | 23 | CT6050HN* | X | | | 3/8" | 50' | 5000 psi | H | Pressure Wash |
| 9 | 4600 OLP* | X | X | X | 3/8" | 25' | 500 psi | S | Air / Water | 23 | CT6100HN* | X | | | 3/8" | 100' | 5000 psi | H | Pressure Wash |
| 8 | RT635-OLP | X | X | | 3/8" | 35' | 300 psi | S | Air / Water | 23 | CM6050HN* | X | | | 3/8" | 50' | 5000 psi | H | Pressure Wash |
| 9 | 5600 OLP* | X | | | 3/8" | 35' | 500 psi | S | Air / Water | 23 | CM6100HN* | X | | | 3/8" | 100' | 5000 psi | H | Pressure Wash |
| 9 | 5635 OLP | X | X | X | 3/8" | 35' | 300 psi | S | Air / Water | 22 | H18006 M* | X | | | 3/8" | 100' | 5000 psi | H | Pressure Wash |
| 8 | RT605-OLP* | X | | | 3/8" | 50' | 300 psi | S | Air / Water | 22 | PW7650 OHP | | X | | 3/8" | 50' | 5000 psi | S | Pressure Wash |
| 8 | RT650-OLP | X | X | X | 3/8" | 50' | 300 psi | S | Air / Water | 22 | PW81000 OHP* | X | X | X | 3/8" | 100' | 5000 psi | S | Pressure Wash |
| 21 | SGA3650 OLP | X | X | X | 3/8" | 50' | 232 psi | S | Air / Water | 21 | SCA3850 OLP | X | | | 1/2" | 50' | 232 psi | S | Chemical |
| 9 | 5605 OLP* | X | X | X | 3/8" | 50' | 500 psi | S | Air / Water | 19 | 5600 OLS* | X | | | 3/8" | 35' | 500 psi | S | SS Air / Water |
| 9 | 5650 OLP | X | X | X | 3/8" | 50' | 300 psi | S | Air / Water | 19 | 7800 OLS* | X | X | | 1/2" | 50' | 500 psi | S | SS Air / Water |
| 10 | 7650 OLP | X | X | X | 3/8" | 50' | 300 psi | S | Air / Water | 19 | HS18000 M* | X | X | | 1/2" | 200' | 3000 psi | H | SS Medium Pressure |
| 11 | DP5650 OLP | X | X | | 3/8" | 50' | 300 psi | S | Air / Water | 19 | 7800 OMS* | X | | | 1/2" | 50' | 3000 psi | S | SS Medium Pressure |
| 11 | DP7650 OLP | X | X | | 3/8" | 50' | 300 psi | S | Air / Water | 17 | TH88000 OMP* | X | X | | 1/2" | 50' | 3000 psi | S | Twin Hydraulic |
| 10 | 7600 OLP* | X | X | X | 3/8" | 70' | 500 psi | S | Air / Water | 17 | TH88050 OMP | | X | | 1/2" | 50' | 2000 psi | S | Twin Hydraulic |
| 10 | 7670 OLP | X | X | | 3/8" | 70' | 300 psi | S | Air / Water | 36 | LD2040 163 2 | | X | | 16/3 | 40' | 0.3 AMP | S | Electric Cord, Fluorescent |
| 13 | 81100 OLP | X | X | X | 3/8" | 100' | 300 psi | S | Air / Water | 36 | LD2030 163 9 | X | | | 16/3 | 30' | 10 AMP | S | Electric Cord, Triple Outlet |
| 8 | RT825-OLP | X | | | 1/2" | 25' | 300 psi | S | Air / Water | 36 | LD2030 143 9 | X | | | 14/3 | 30' | 13 AMP | S | Electric Cord, Triple Outlet |
| 9 | A5825 OLP | X | X | X | 1/2" | 25' | 300 psi | S | Air / Water | 36 | LG3050 163 8 | X | | | 16/3 | 50' | 10 AMP | S | Electric Cord, Fluorescent |
| 8 | RT835-OLP | X | X | X | 1/2" | 35' | 300 psi | S | Air / Water | 36 | LG3050 143 9 | X | | | 14/3 | 50' | 13 AMP | S | Electric Cord, Triple Outlet |
| 11 | DP5835 OLP | X | | | 1/2" | 35' | 300 psi | S | Air / Water | 36 | LG3040 123 9 | X | | | 12/3 | 40' | 15 AMP | S | Electric Cord, Triple Outlet |
| 8 | RT850-OLP | X | X | X | 1/2" | 50' | 300 psi | S | Air / Water | 36 | LH2080 143 | X | | | 14/3 | 80' | 10 AMP | H | Electric Cord, Quad Outlet |
| 9 | A5850 OLP | X | X | X | 1/2" | 50' | 300 psi | S | Air / Water | 36 | LH3100* | X | | | | 100' | 15 AMP | H | Electric Cord, Quad Outlet |
| 10 | 7800 OLP* | X | X | X | 1/2" | 50' | 500 psi | S | Air / Water | 38 | L 4545 123 7 | X | X | X | 12/3 | 45' | 15 AMP | S | Electric Cord, GFCI |
| 10 | 7850 OLP | X | X | X | 1/2" | 50' | 300 psi | S | Air / Water | 38 | L 5550 123 7 | X | X | | 12/3 | 50' | 20 AMP | S | Electric Cord, GFCI |
| 10 | 7850 OLP121 | X | X | X | 1/2" | 50' | 300 psi | S | Air / Water | 39 | L 4050 163 1 | X | X | X | 16/3 | 50' | 13 AMP | S | Electric Cord, Incandescent |
| 10 | 7850 OLP5W57 | X | X | X | 1/2" | 50' | 300 psi | S | Air / Water | 39 | L 4050 162 2 | X | | | 16/2 | 50' | 0.3 AMP | S | Electric Cord, Fluorescent |
| 11 | DP7850 OLP | X | X | | 1/2" | 50' | 300 psi | S | Air / Water | 38 | L 7000* | X | | | | 35' | 45 AMP | S | Electric Cord |
| 12 | D8850 OLP | X | X | | 1/2" | 50' | 300 psi | S | Air / Water | 38 | L 4545 123 3 | X | X | X | 12/3 | 45' | 15 AMP | S | Electric Cord, Single Outlet |
| 13 | 82075 OLP | X | X | | 1/2" | 75' | 300 psi | S | Air / Water | 38 | L 4035 163 3 | X | | | 16/3 | 35' | 13 AMP | S | Electric Cord, Single Outlet |
| 13 | 82000 OLP* | X | X | X | 1/2" | 100' | 500 psi | S | Air / Water | 38 | L 4050 163 3 | X | X | X | 16/3 | 50' | 13 AMP | S | Electric Cord, Single Outlet |
| 13 | 82100 OLP | X | X | X | 1/2" | 100' | 300 psi | S | Air / Water | 38 | L 5550 123 3 | X | X | | 12/3 | 50' | 15 AMP | S | Electric Cord, Single Outlet |
| 10 | 7900 OLP* | X | | | 3/4" | 25' | 500 psi | S | Air / Water | 18 | F7900 OLP* | X | | | 3/4" | 25' | 500 psi | S | Fuel |
| 10 | 7925 OLP | X | X | | 3/4" | 25' | 250 psi | S | Air / Water | 18 | F7925 OLP | X | X | | 3/4" | 25' | 250 psi | S | Fuel |
| 13 | 83000 OLP* | X | X | X | 3/4" | 50' | 500 psi | S | Air / Water | 18 | F83000 OLP* | X | | | 3/4" | 50' | 500 psi | S | Fuel |
| 13 | 83050 OLP | X | X | X | 3/4" | 50' | 250 psi | S | Air / Water | 18 | F83050 OLP | X | | | 3/4" | 50' | 250 psi | S | Fuel |
| 13 | D83075 OLP | X | | | 3/4" | 75' | 250 psi | S | Air / Water | 18 | FD83000 OLP* | X | X | | 3/4" | 75' | 500 psi | S | Fuel |
| 13 | D84000 OLP* | X | X | | 1" | 50' | 500 psi | S | Air / Water | 18 | FD84000 OLP* | X | X | X | 1" | 50' | 500 psi | S | Fuel |
| 13 | D84050 OLP | X | | | 1" | 50' | 250 psi | S | Air / Water | 18 | FD84050 OLP | X | | | 1" | 50' | 250 psi | S | Fuel |
| 9 | 5600 OMP* | X | X | | 3/8" | 30' | 3000 psi | S | Oil | 18 | FD9400 OLPBW* | X | | | 1" | 50' | 500 psi | S | Fuel |
| 9 | 5630 OMP | X | | | 3/8" | 30' | 2250 psi | S | Oil | 18 | FD9450 OLPBW | X | | | 1" | 50' | 500 psi | S | Fuel |
| 10 | 7600 OMP* | X | X | | 3/8" | 50' | 3000 psi | S | Oil | 18 | FF9500 OLPBW* | X | | | 1 1/4" | 50' | 600 psi | S | Fuel |
| 11 | DP5835 OMP | X | X | | 1/2" | 35' | 2000 psi | S | Oil | 18 | FF9600 OLPBW* | X | | | 1 1/2" | 50' | 600 psi | S | Fuel |
| 10 | 7800 OMP* | X | X | X | 1/2" | 50' | 3000 psi | S | Oil | 18 | G 3050 | X | X | X | | 50' | | S | Grounding |
| 10 | 7850 OMP | X | X | X | 1/2" | 50' | 2000 psi | S | Oil | 18 | G 3050 Y | | X | | | 50' | | S | Grounding |
| 11 | DP7850 OMP | X | X | | 1/2" | 50' | 2000 psi | S | Oil | 18 | G 3050 N | X | X | | | 50' | | S | Grounding |
| 12 | D8800 OMP* | X | | | 1/2" | 50' | 3000 psi | S | Oil | 18 | GA3100 N | | X | | | 100' | | S | Grounding |
| 12 | D8850 OMP | X | X | | 1/2" | 50' | 2000 psi | S | Oil | 18 | GHC3100 N | | X | | | 100' | | S | Grounding |
| 13 | 82000 OMP* | X | | | 1/2" | 75' | 2000 psi | S | Oil | 46 | TB 01 | X | | | | 6' | 0.0-1.5 lbs | S | Tool Balancer, w/ Ratchet |
| 10 | 7450 OHP | X | | | 1/4" | 50' | 5000 psi | S | Grease | 46 | TB 03 | X | | | | 6' | 1.5-3 lbs | S | Tool Balancer, w/ Ratchet |
| 10 | 7600 OHP* | X | | | 3/8" | 50' | 5000 psi | S | Grease | 46 | TB 05 | X | | | | 6' | 3-5 lbs | S | Tool Balancer, w/ Ratchet |
| 10 | 7650 OHP | X | X | | 3/8" | 50' | 4000 psi | S | Grease | 46 | TB 10 | X | | | | 8' | 5-10 lbs | S | Tool Balancer, Constant Pull |
| 11 | DP7650 OHP | X | X | | 3/8" | 50' | 4000 psi | S | Grease | 46 | TB 12 | X | | | | 8' | 8-12 lbs | S | Tool Balancer, Constant Pull |
| 12 | D8650 OHP | X | | | 3/8" | 50' | 4000 psi | S | Grease | 46 | TB 15 | X | | | | 8' | 10-15 lbs | S | Tool Balancer, Constant Pull |
| 13 | 81000 OHP* | X | | | 3/8" | 100' | 5000 psi | S | Grease | 46 | TB 23 | X | | | | 8' | 16-23 lbs | S | Tool Balancer, Constant Pull |
| 23 | CU6050LN* | X | X | | 3/8" | 50' | 300 psi | H | Air / Water | 46 | TBL 10 | X | | | | 8' | 5-10 lbs | S | Tool Balancer, w/ Ratchet |
| 23 | CU6100LN* | X | | | 3/8" | 100' | 300 psi | H | Air / Water | 46 | TBL 12 | X | | | | 8' | 8-12 lbs | S | Tool Balancer, w/ Ratchet |
| 23 | CU8050LN* | X | | | 1/2" | 50' | 300 psi | H | Air / Water | 46 | TBL 15 | X | | | | 8' | 10-15 lbs | S | Tool Balancer, w/ Ratchet |
| 23 | CU8100LN* | X | | | 1/2" | 100' | 300 psi | H | Air / Water | 46 | TBL 23 | X | | | | 8' | 16-23 lbs | S | Tool Balancer, w/ Ratchet |
| 23 | CT6050LN* | X | | | 1/2" | 50' | 300 psi | H | Air / Water | 42 | TW5425 OLP | X | | | 1/4" | 25' | 200 psi | S | Gas Welding |
| 23 | CT6100LN* | X | | | 1/2" | 100' | 300 psi | H | Air / Water | 42 | TW5425 OLPT | X | X | | 1/4" | 25' | 200 psi | S | Gas Welding T Grade |
| 23 | CT8050LN* | X | | | 1/2" | 50' | 300 psi | H | Air / Water | 42 | STW3450 OLP | X | | | 1/4" | 50' | 300 psi | S | Gas Welding |
| 23 | CT8100LN* | X | | | 1/2" | 100' | 300 psi | H | Air / Water | 42 | TW7400 OLP* | X | X | | 1/4" | 60' | 200 psi | S | Gas Welding |
| 24 | H18000* | X | | | 1/2" | 200' | 1000 psi | H | Air | | | | | | | | | | |



North America and Corporate Headquarters

2842 E. Business Hwy 30
Columbia City, IN 46725

Customer Service Direct Line: 855-634-9109

Ph: 800-444-3134 • Fax: 800-444-4587

Ph: 260-248-8188 • Fax: 260-248-2605

reelcraft@reelcraft.com

www.reelcraft.com

Latin America and the Middle East

Thompson International, Inc.

P.O. Box 12958, Ft. Wayne, IN 46866

Ph: 260-489-1685 • Fax: 260-489-0203

info@t-i-i.com

www.reelcraft.com/latinamerica

Pacific Rim

P.O. Box 53776, Clark Freeport Zone
Philippines 2023

Ph: +63 (45) 625-6624

Fax: +63 (45) 321-0643

rap@comclark.com

www.reelcraft.com/asia

Europe

Unit 17 • Cronin Courtyard

Weldon South Industrial Estate

Corby • Northamptonshire NN18 8AG United Kingdom

Ph: +44 (0) 1536 406999

Fax: +44 (0) 1536 406777

europa@reelcraft.com

www.reelcraft.com/europe

China

Reelcraft Changzhou Co., Ltd.

Building C, No. 229 HeHai West Road

Changzhou, Jiangsu, China 213022

Ph: +86 (519) 8512 2391 ext. 8002

Fax: +86 (519) 8512 9309

rco@reelcraftchina.com

www.reelcraft.com/china

Australia

PO Box 6463 BC, Blacktown

NSW 2148, Australia

Ph: +61 (2) 9621 8988

Fax: +61 (2) 9621 7688

sales@recoila.com

www.reelcraft.com